

88 5543 101 Bermuda Entertainment Credenza

IMPORTANT NOTE

Carefully remove all the parts from the carton and put them individually on a soft cloth to prevent scratches or other damages occurring to the parts.

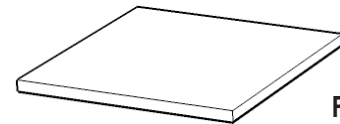
We have taken great care in the design of this product and request that you carefully and strictly follow our assembly instructions to ensure a completed product as it was designed.



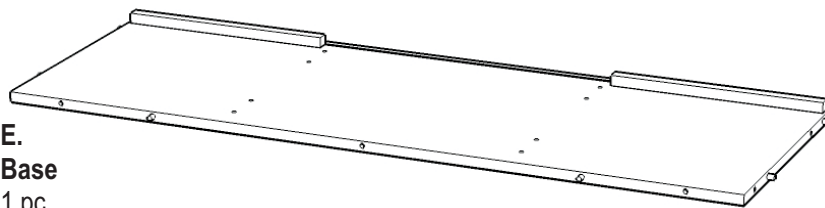
Part List



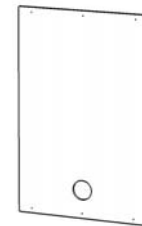
A.
Top
1 pc.



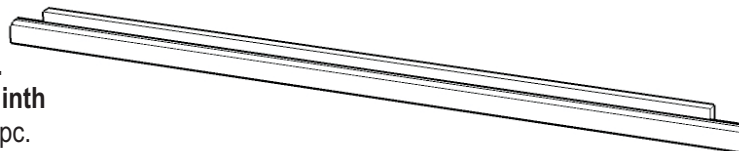
F.
Shelf
4 pcs.



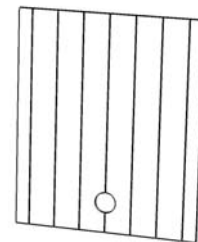
E.
Base
1 pc.



I.
Back Panel
2 pcs.



H.
Plinth
1 pc.



J.
Back Panel
1 pc.

Hardware List



Cam Lock Screw
19 pcs.(+1 extra)



**Wood Screw
for Back Panel**
12 pcs.(+1 extra)



Magnet
2 pcs.



Pull Handle
2 pcs.



Cam Lock
19 pcs.(+4 extra)



Adjustable Pin
24 pcs.(+1 extra)



**Wood Screw
for Magnet**
4 pcs.(+1 extra)



Machine Screw
2 pcs.

For assembly see instructions in carton 88 5543 102

Tools required for assembly : **Phillips** screwdriver

Tools recommended for assembly :Level

Home Styles Consumer Assistance Line 888-680-7460 and 877-831-0319
servicedesk@homestyles-furniture.com

88 5543 102 Bermuda Entertainment Credenza

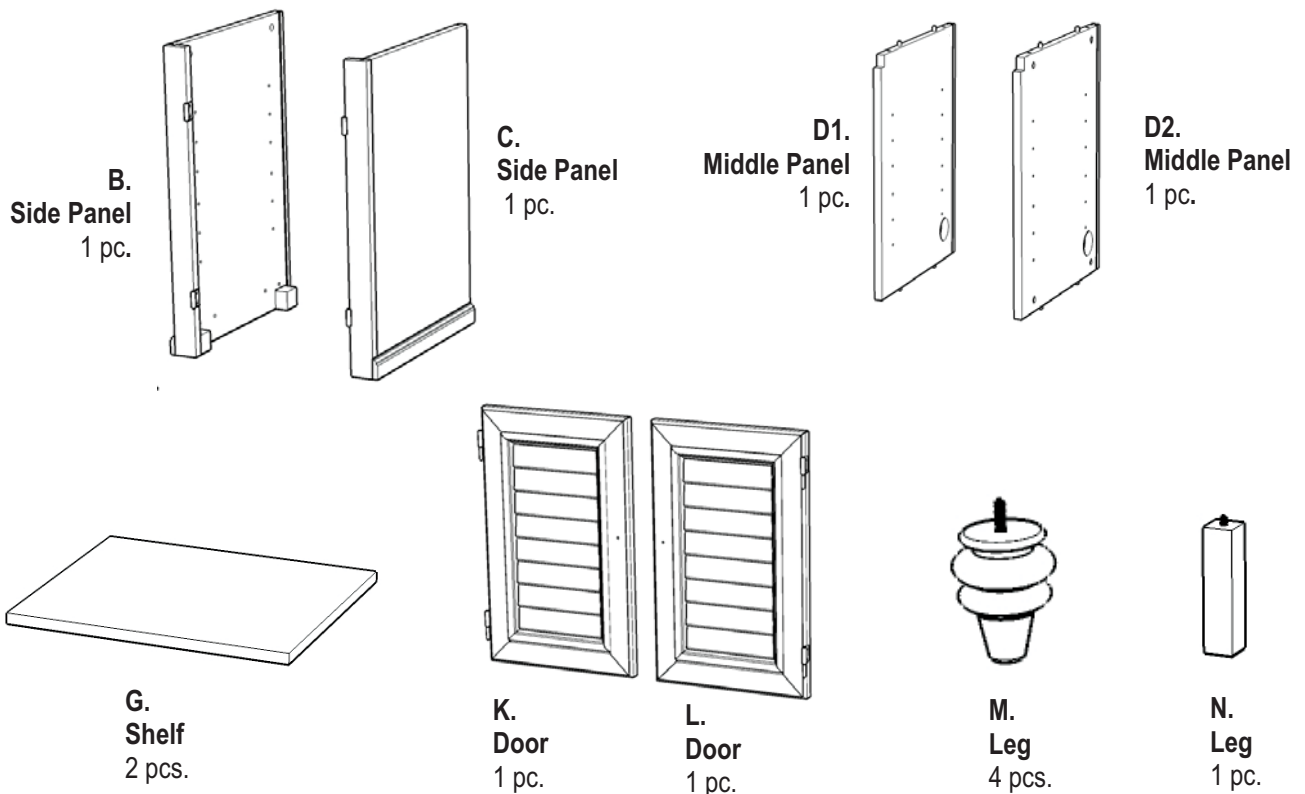
IMPORTANT NOTE

Carefully remove all the parts from the carton and put them individually on a soft cloth to prevent scratches or other damages occurring to the parts.

We have taken great care in the design of this product and request that you carefully and strictly follow our assembly instructions to ensure a completed product as it was designed.



Part List



Also need the following from carton 88 5543 101 :

Part List in carton 88 5543 101

Top (A)	1 pc.
Base (E)	1 pc.
Shelf (F)	4 pcs.
Plinth (H)	1 pc.
Back Panel (I)	2 pcs.
Back Panel (J)	1 pc.

Hardware List in carton 88 5543 101

Cam Lock Screw	19 pcs.
Cam Lock	19 pcs.
Wood Screw for Back Panels	12 pcs.
Adjustable Pin	24 pcs.
Pull Handle	2 pcs.
Machine Screw for Pull Handle	2 pcs.
Magnet	2 pcs.
Wood Screw Magnet	4 pcs.

Tools required for assembly : **Phillips** screwdriver

Tools recommended for assembly :Level

Home Styles Consumer Assistance Line 888-680-7460 and 877-831-0319
servicedesk@homestyles-furniture.com

Assembly Instructions 2/4

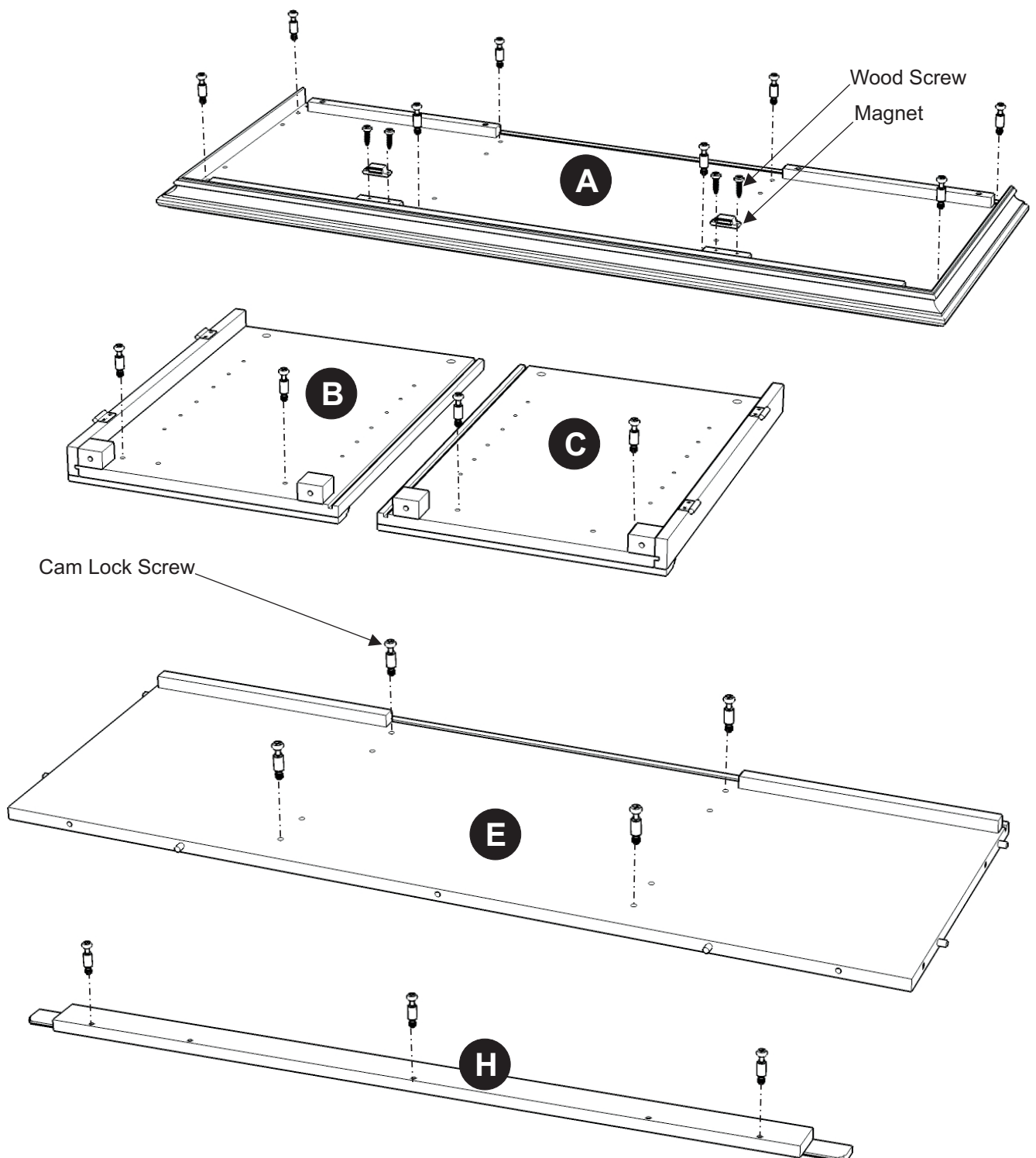
IMPORTANT

- * Do not tighten up all the screws until each part is properly assembled.
- * After assembly item must be level to work properly. Use the included adjustable levelers to level.
- * Use a soft cloth between these parts and the floor.

STEP 1

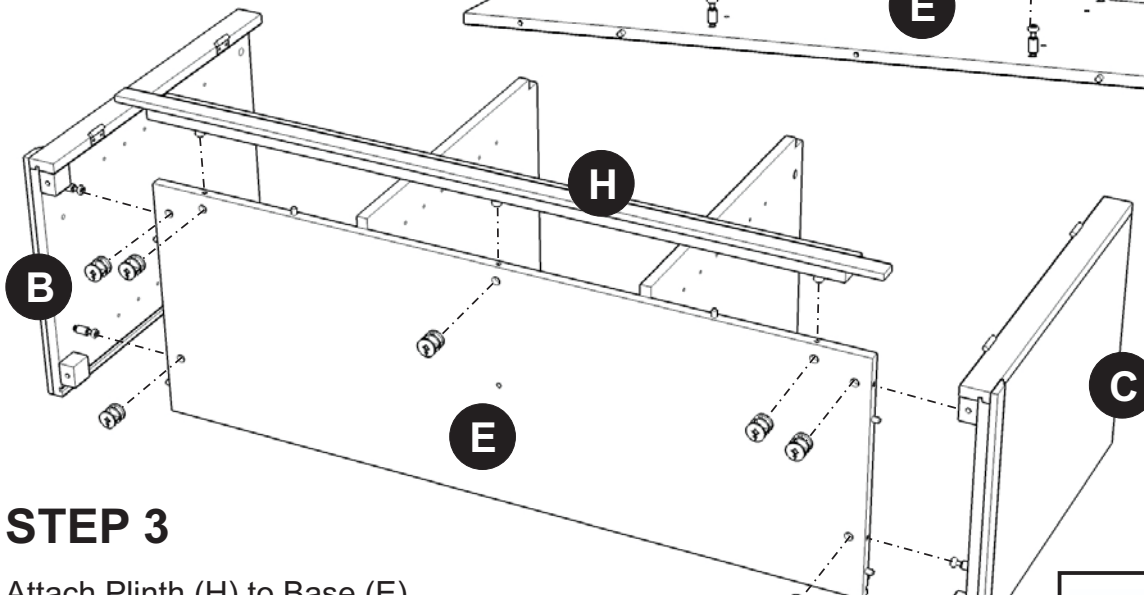
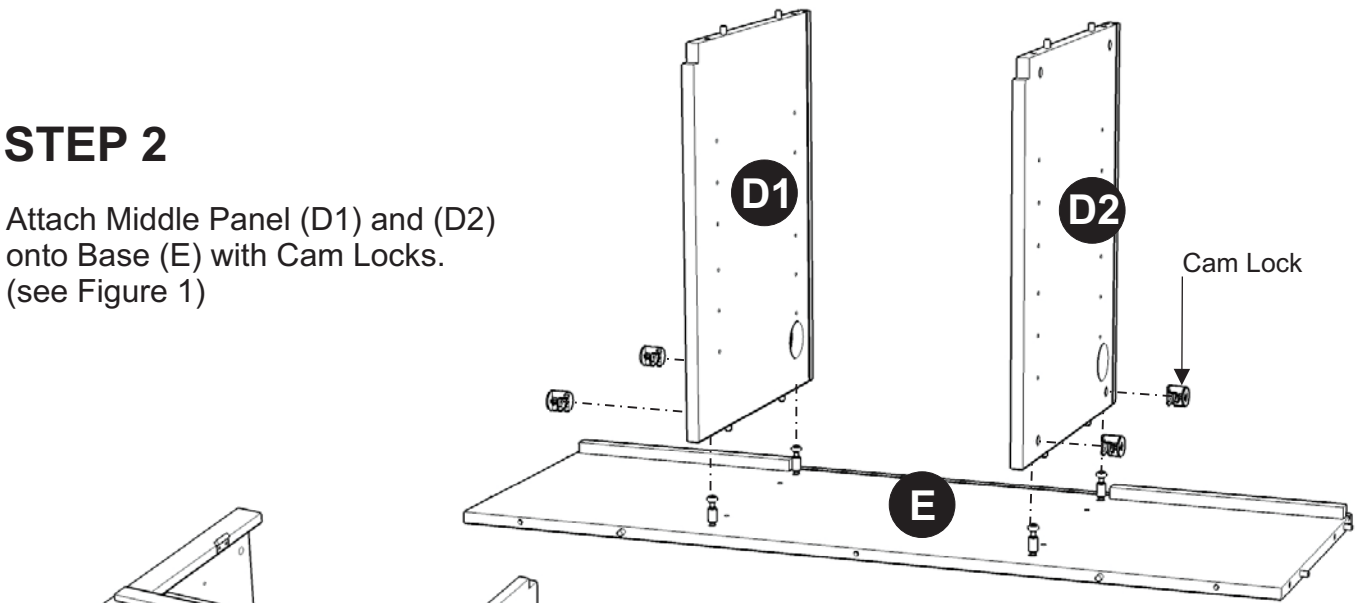
Attach 2X Magnets to Top (A) by using Wood Screws in the pre-drilled holes.

Insert Cam Lock Screws into the pre-drilled holes of Top (A), Side Panels (B), (C), Base (E) and Plinth (H).



STEP 2

Attach Middle Panel (D1) and (D2) onto Base (E) with Cam Locks.
(see Figure 1)

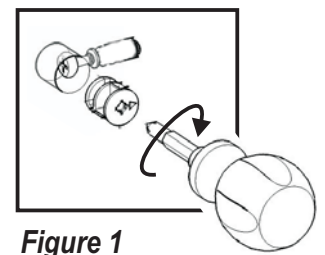


STEP 3

Attach Plinth (H) to Base (E) with Cam Locks.

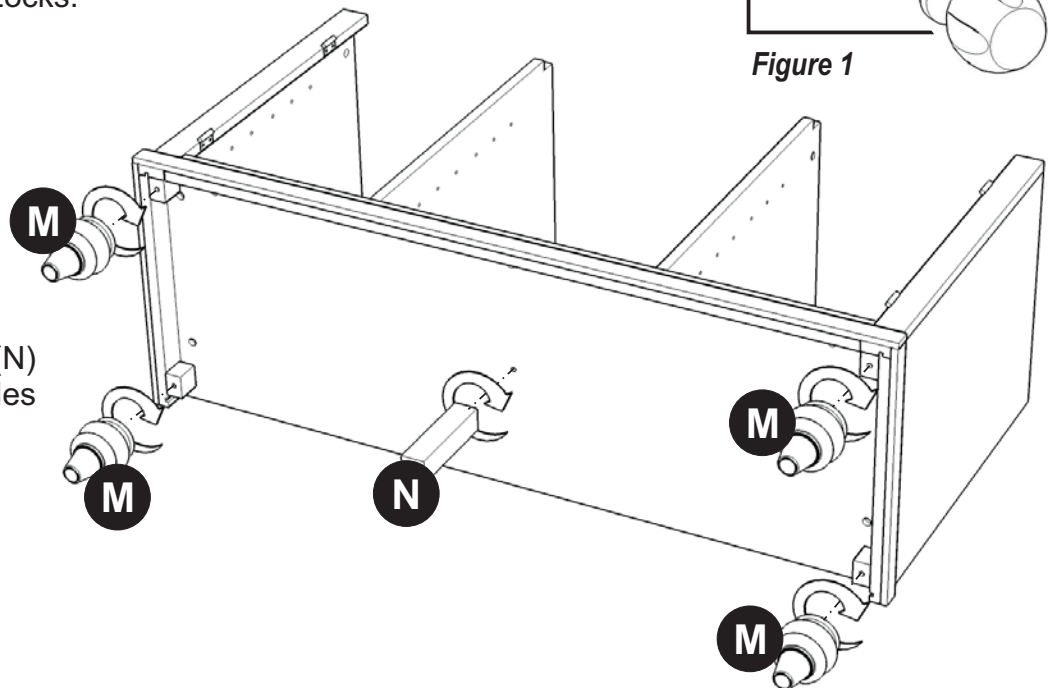
Attach Side Panel (B) and (C) to unit with Cam Locks.
(see Figure 1)

Cam Lock



STEP 4

Attach Legs (M) and (N) into the pre-drilled holes of unit and tighten.



STEP 5

Slide Back Panels (I) and (J) into place.

Attach Doors (K) and (L) by sliding the door lift hinges into the side panels lift hinges. (see Figure 2)

Assemble Pull Handles to Doors (K) and (L) with Machine Screws. (see Figure 3)

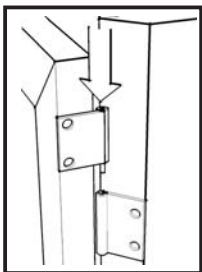
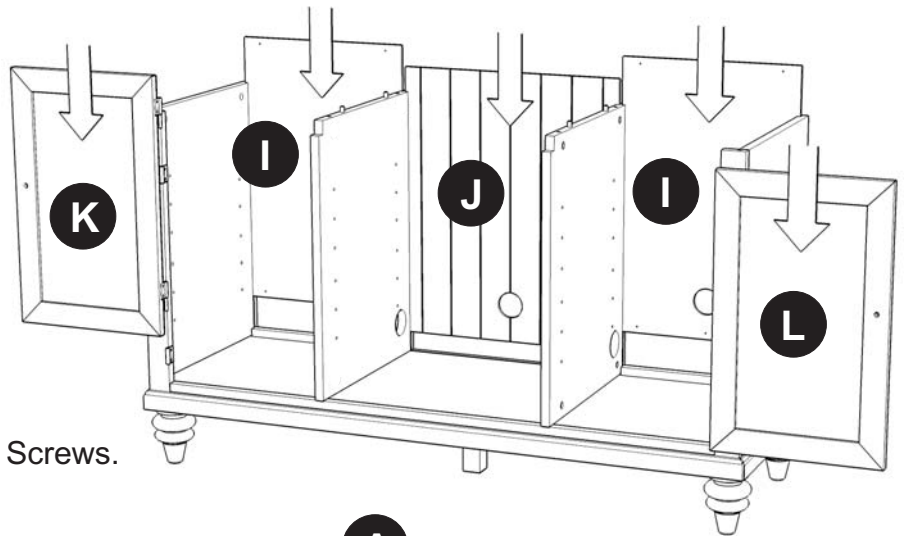


Figure 2

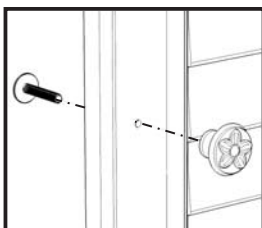
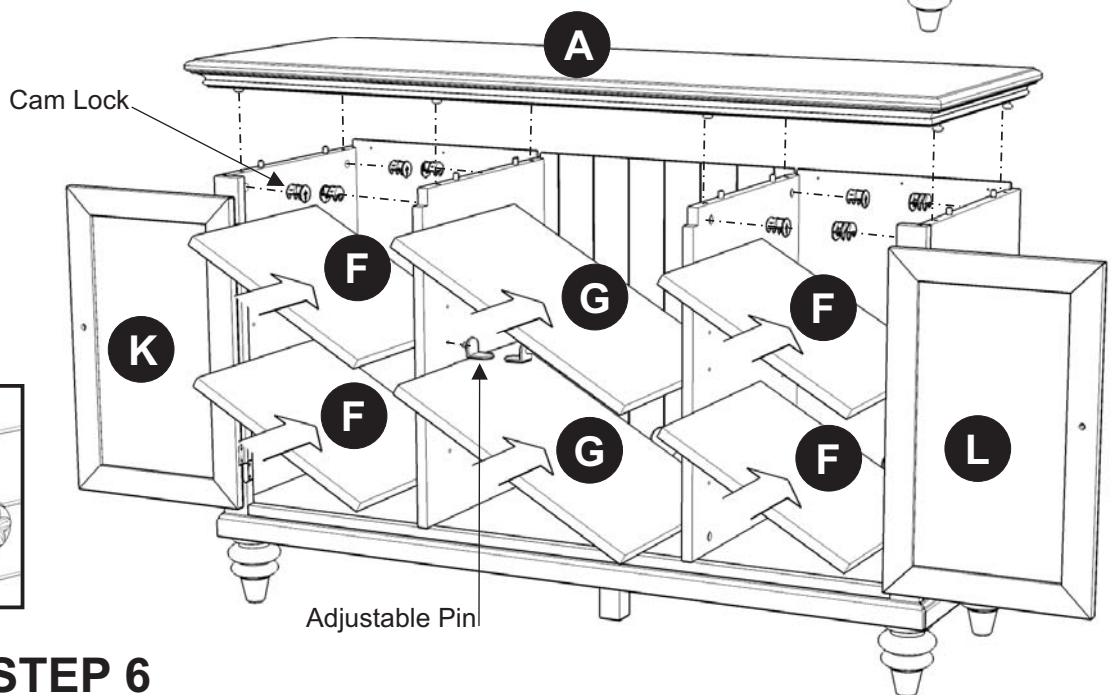


Figure 3



STEP 6

Place Top (A) onto unit with Cam Locks.

Insert Adjustable Pins into side panels and middle panels at the desired level (see Figure 4), then place Shelves (K) and (L) into position.

To level the unit, adjust the adjustable levelers on the bottom of legs. (see Figure 5)

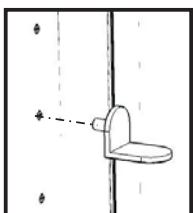


Figure 4

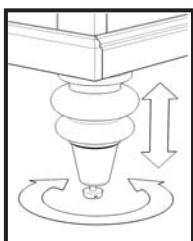
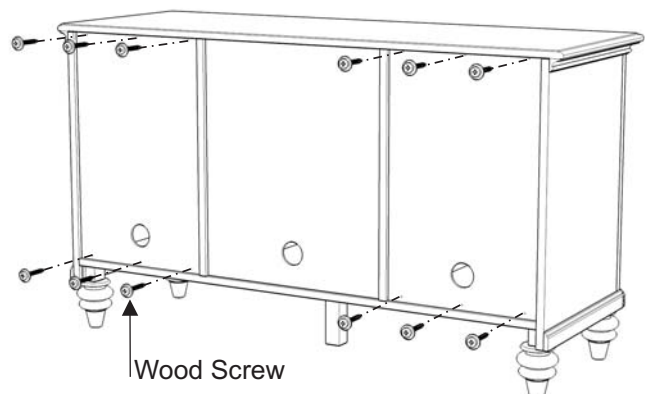


Figure 5

STEP 7

Insert 12X Wood Screws from the back of the unit, tighten up all the Wood Screws.



Note: Please make sure unit is level before tightening these screws.