

# 88 5542 503

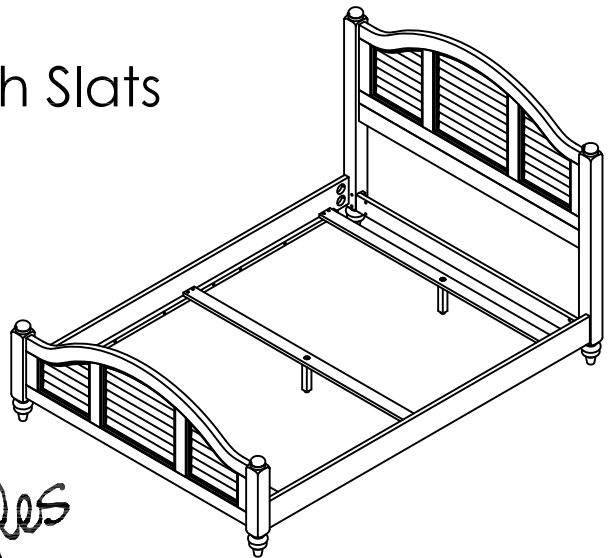
## Bermuda Queen Bed Rails with Slats

### IMPORTANT NOTE

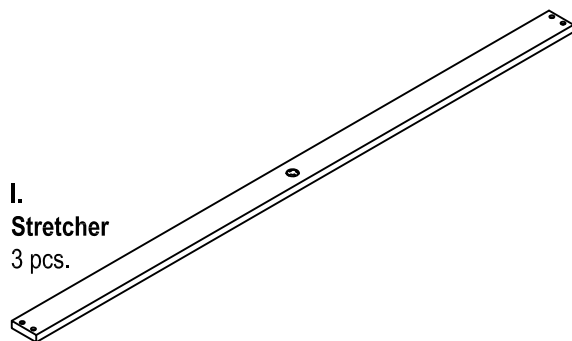
Carefully remove all the parts from the carton and put them individually on a soft cloth to prevent scratches or other damages occurring to the parts.

We have taken great care in the design of this product and request that you carefully and strictly follow our assembly instructions to ensure a completed product as it was designed.

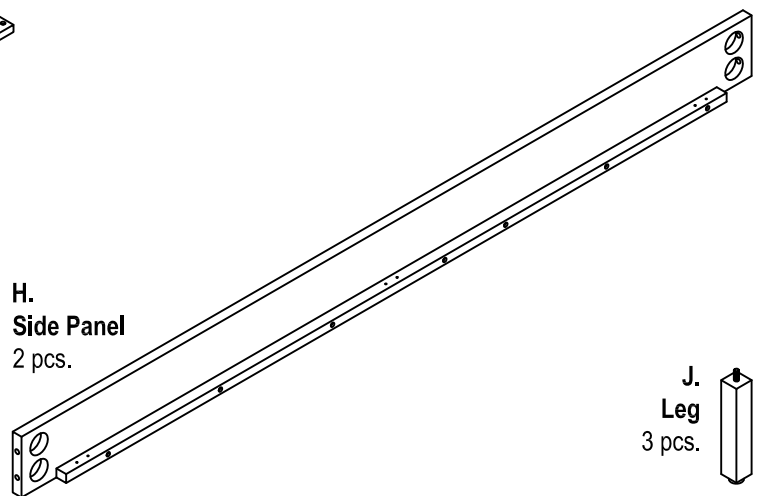
*Home Styles*



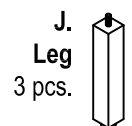
### Part List



**I.**  
Stretcher  
3 pcs.



**H.**  
Side Panel  
2 pcs.



**J.**  
Leg  
3 pcs.

### Hardware List



**Bolt**  
8 pcs. (+1 extra)



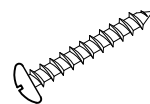
**Square Washer**  
8 pcs. (+1 extra)



**Nut**  
8 pcs. (+1 extra)



**Wrench**  
1 pc.

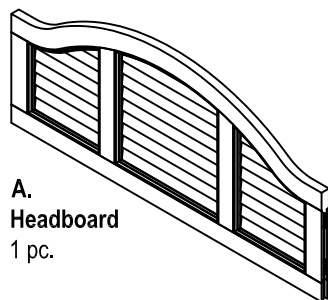


**Wood Screw**  
12 pcs. (+1 extra)

### For assembly also need the following :

88 5542 5011

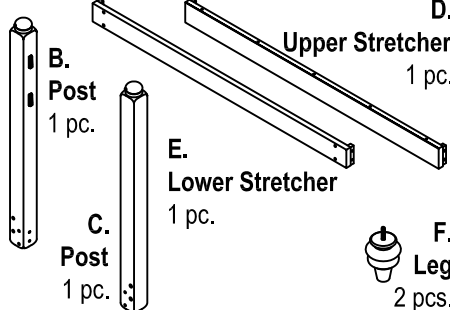
Carton quantity: 1



**A.**  
Headboard  
1 pc.

88 5542 5012

Carton quantity: 1



**B.**  
Post  
1 pc.

**C.**  
Post  
1 pc.

**D.**  
Upper Stretcher  
1 pc.

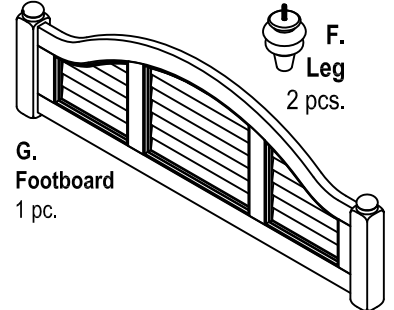
**E.**  
Lower Stretcher  
1 pc.



**F.**  
Leg  
2 pcs.

88 5542 502

Carton quantity: 1



**G.**  
Footboard  
1 pc.

**F.**  
Leg  
2 pcs.

Tools Required For Assembly : Phillips screwdriver

**Home Styles Consumer Assistance Line 888-680-7460 and 877-831-0319**  
**servicedesk@homestyles-furniture.com**

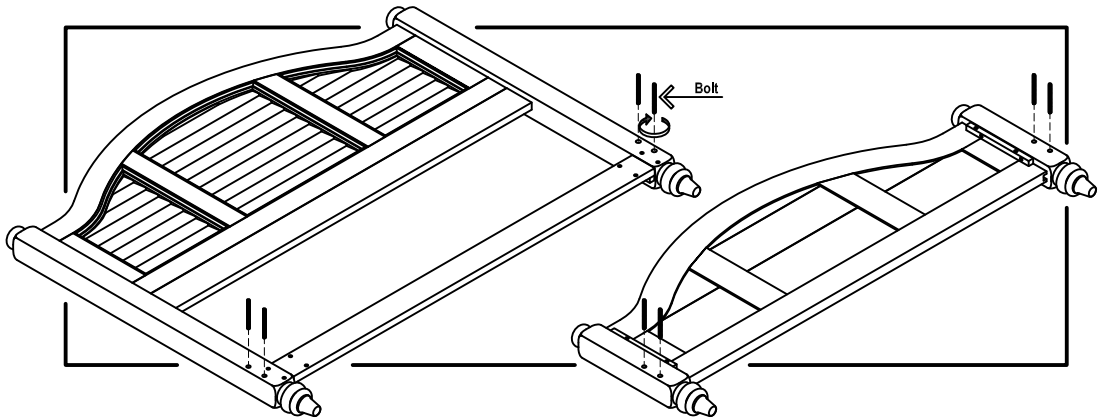
# Assembly Instructions 2/2

## IMPORTANT

- \* Do not tighten up all the bolts & screws until each part is properly assembled.
- \* You should keep Hex Wrench in a safe place as you may need to tighten up the Nuts in the future.

## STEP 1

Insert Bolts into the pre-drilled holes of Headboard and Footboard.



## STEP 2

Assemble Side Panels (H) to Headboard and Footboard using Square Washers and Nuts. Tighten all the Bolts with Wrench. (See figure 1)

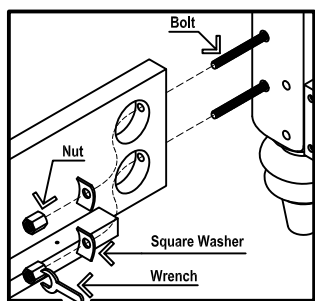
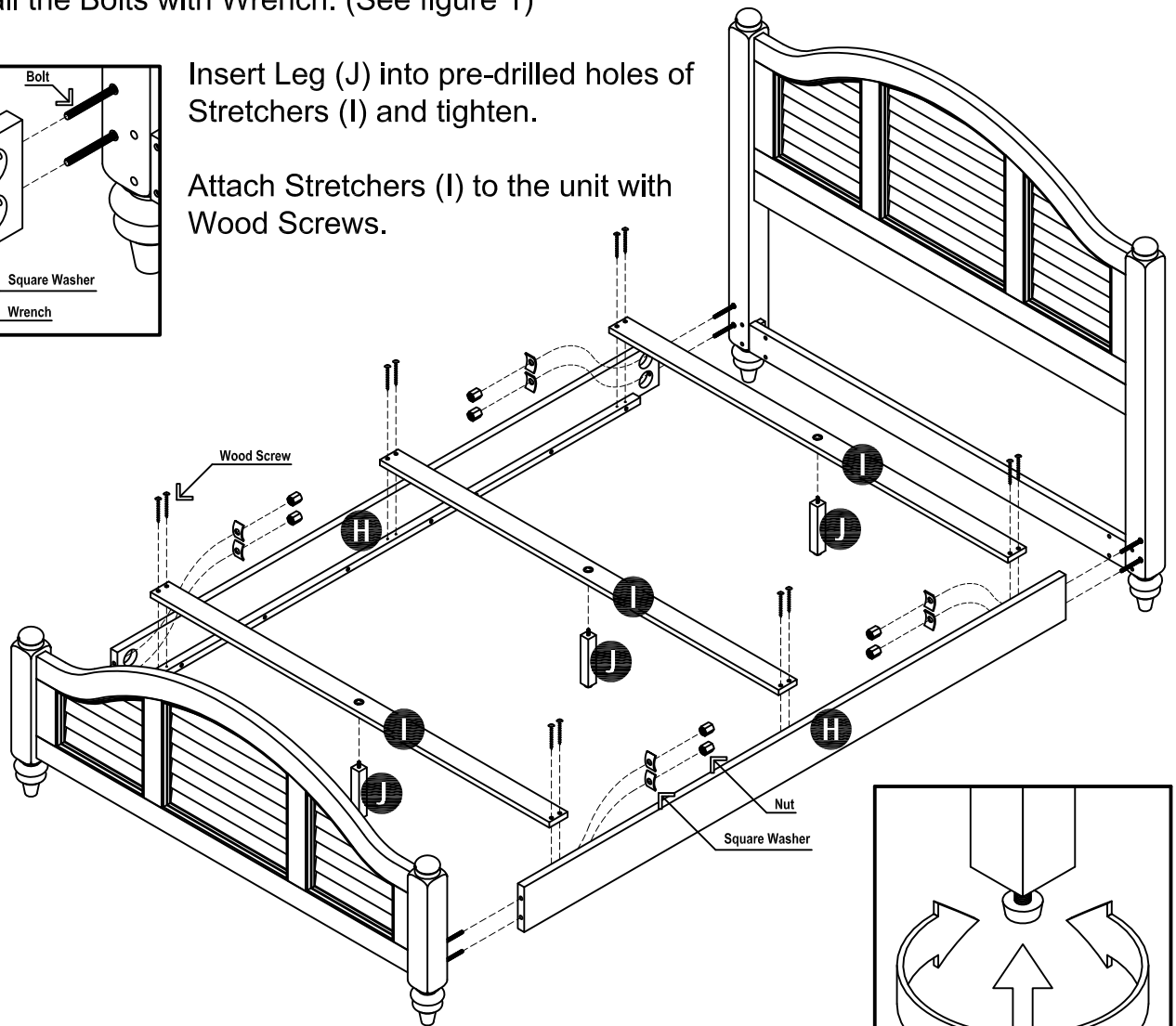


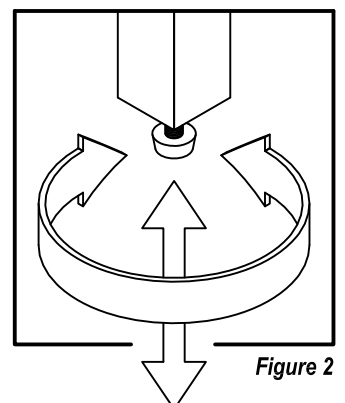
Figure 1

Insert Leg (J) into pre-drilled holes of Stretchers (I) and tighten.

Attach Stretchers (I) to the unit with Wood Screws.



To level the unit, adjust the adjustable levelers on the bottom of legs. (See figure 2)



# VERY IMPORTANT !!

## CARE INSTRUCTIONS

### NEVER

USE GLASS CLEANERS ON FINISHED FURNITURE. AMMONIA WILL CHEMICALLY ATTACK THE LACQUER.

### NEVER

ALLOW LIQUIDS OF ANY KIND TO REMAIN ON THE FURNITURE. ABSORPTION CAUSES WOOD TO WARP AND SPLIT AND FINISHES TO DELAMINATE.

DO NOT WRITE DIRECTLY ON SURFACE.



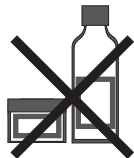
**PREVENT MARKING**

DO NOT PLACE IN DIRECT SUNLIGHT.



**PREVENT FADING**

DO NOT USE COMMERCIAL WAXES AND POLISHES.



**PREVENT YELLOWING**

DO NOT PLACE HOT OBJECTS ON SURFACE.



**PREVENT FINISH DAMAGE**

DO NOT USE RUBBER BASED PLACE MATS.



**PREVENT DISCOLORING**

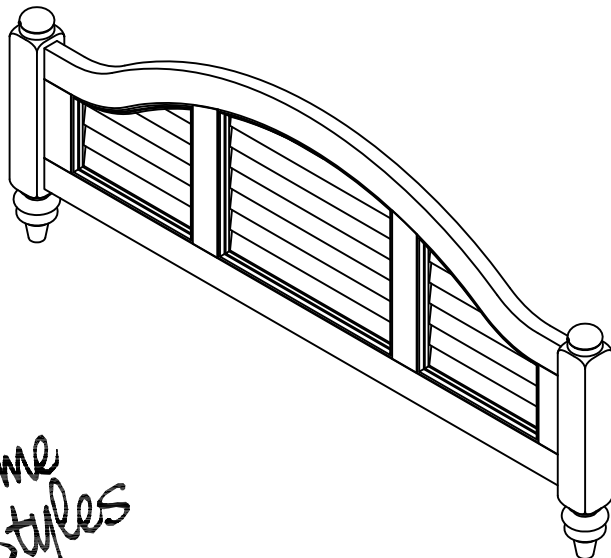
## TO CLEAN

USE A SOFT CLOTH MOISTENED IN LEMON OIL POLISH OR LUKEWARM SOAP AND WATER, THEN BUFF WITH A DRY CLEAN CLOTH.



# 88 5542 502

## Bermuda Queen Footboard



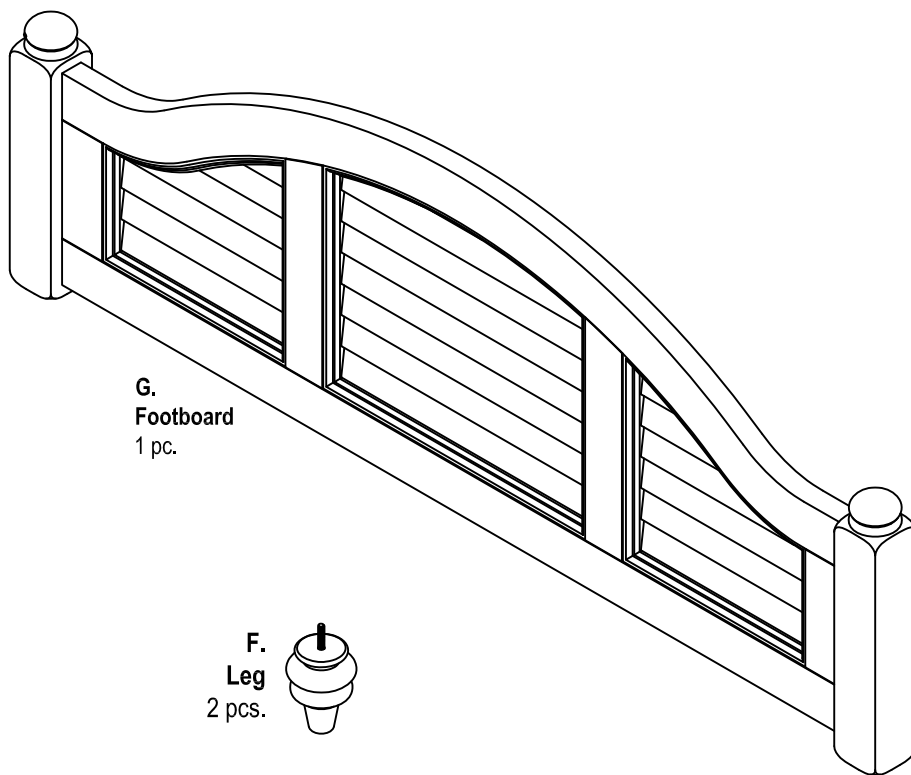
### IMPORTANT NOTE

Carefully remove all the parts from the carton and put them individually on a soft cloth to prevent scratches or other damages occurring to the parts.

We have taken great care in the design of this product and request that you carefully and strictly follow our assembly instructions to ensure a completed product as it was designed.

*Home  
Styles*

## Part List



G.  
Footboard  
1 pc.

F.  
Leg  
2 pcs.



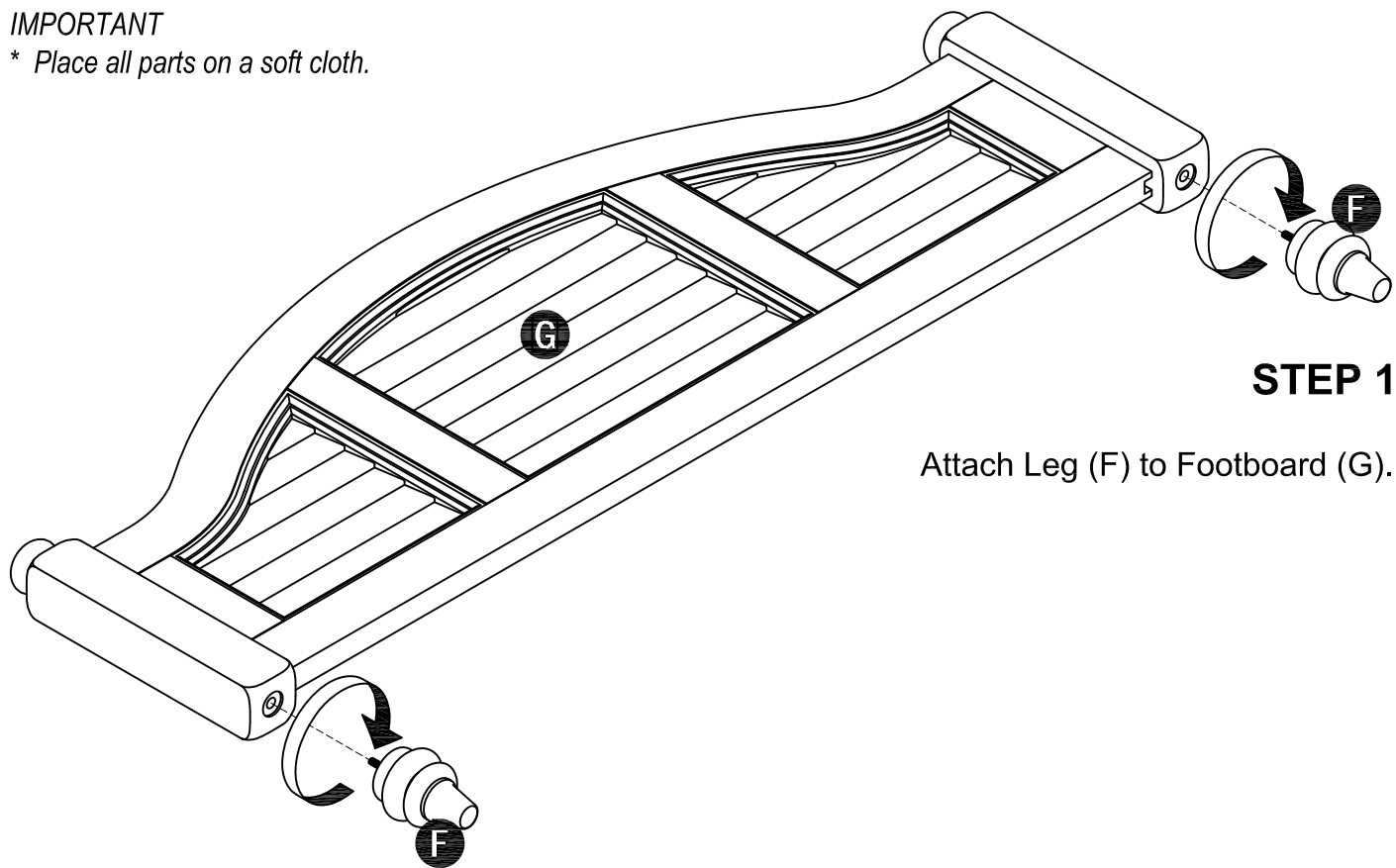
For assembly see instructions in carton 88 5542 503

Home Styles Consumer Assistance Line 888-680-7460 and 877-831-0319  
[servicedesk@homestyles-furniture.com](mailto:servicedesk@homestyles-furniture.com)

## Assembly Instructions 2/2

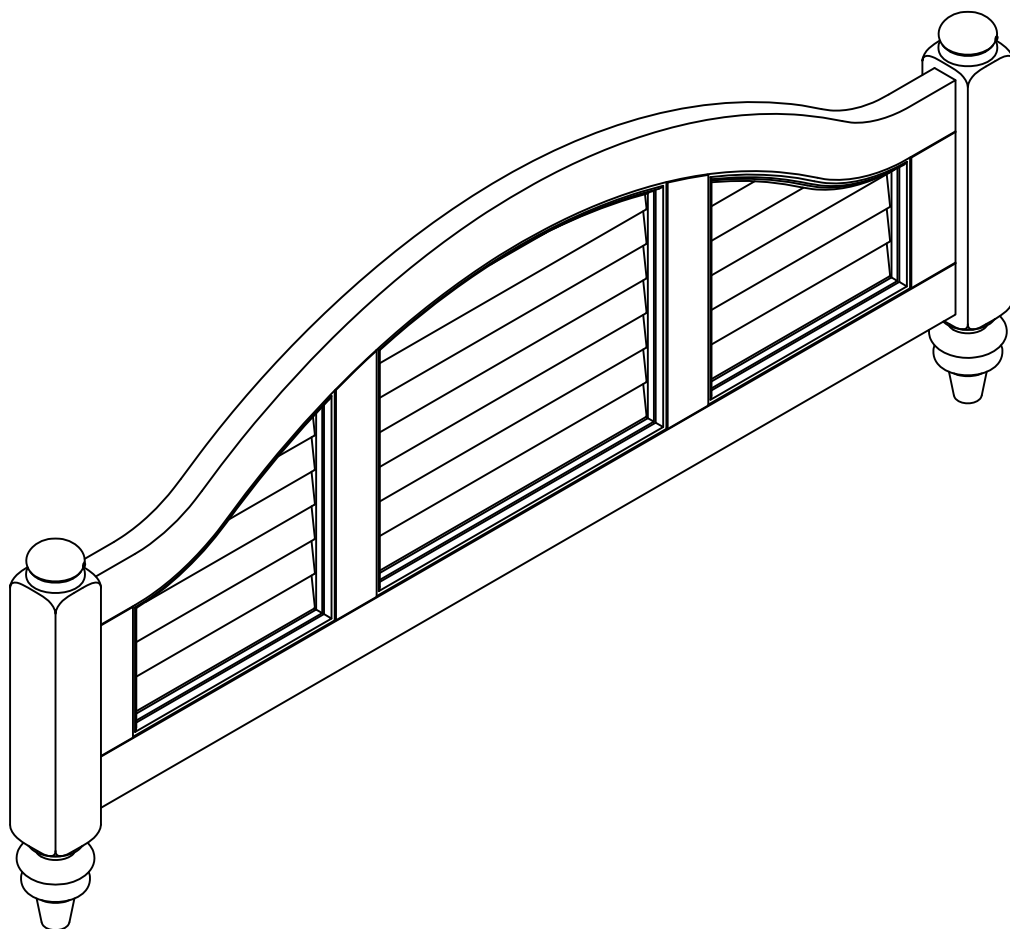
**IMPORTANT**

\* Place all parts on a soft cloth.



### STEP 1

Attach Leg (F) to Footboard (G).



# VERY IMPORTANT !!

## CARE INSTRUCTIONS

### NEVER

USE GLASS CLEANERS ON FINISHED FURNITURE. AMMONIA WILL CHEMICALLY ATTACK THE LACQUER.

### NEVER

ALLOW LIQUIDS OF ANY KIND TO REMAIN ON THE FURNITURE. ABSORPTION CAUSES WOOD TO WARP AND SPLIT AND FINISHES TO DELAMINATE.

DO NOT WRITE DIRECTLY ON SURFACE.



**PREVENT MARKING**

DO NOT PLACE IN DIRECT SUNLIGHT.



**PREVENT FADING**

DO NOT USE COMMERCIAL WAXES AND POLISHES.



**PREVENT YELLOWING**

DO NOT PLACE HOT OBJECTS ON SURFACE.



**PREVENT FINISH DAMAGE**

DO NOT USE RUBBER BASED PLACE MATS.



**PREVENT DISCOLORING**

## TO CLEAN

USE A SOFT CLOTH MOISTENED IN LEMON OIL POLISH OR LUKEWARM SOAP AND WATER, THEN BUFF WITH A DRY CLEAN CLOTH.

