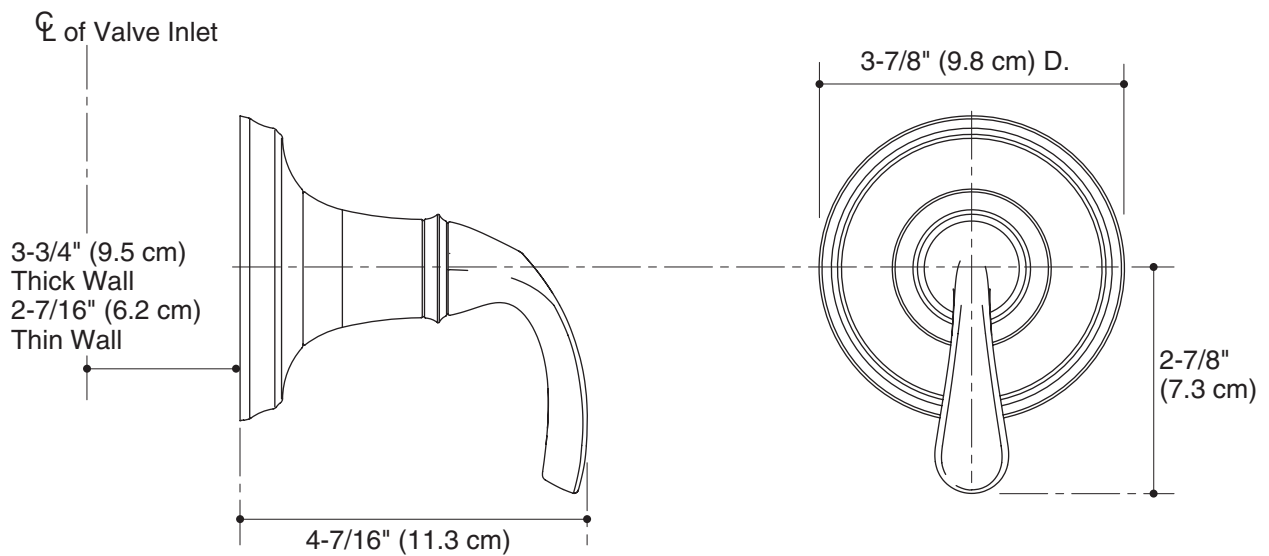


Product Information

Applicable faucet trim only*:	
Transfer valve trim	K-T10290-4
*Applicable valve must be ordered to complete the faucet.	
Sculpted lever handle is ADA compliant.	ADA
Applicable thermostatic valve only (not shown)**:	
3/4" Transfer valve	K-728-K
**Required for the illustration configured below.	

Installation Notes

Install this product according to the installation guide.



K-T10290