

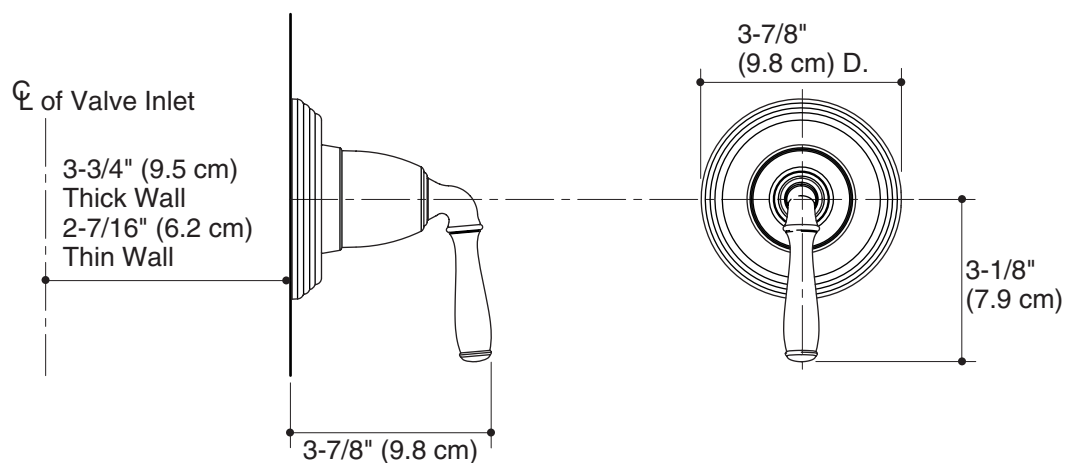
### Product Information

<b>Applicable faucet trim only*:</b>	
Transfer valve trim	K-T376-4
*Applicable valve must be ordered to complete faucet.	
Lever handles are ADA compliant.	<b>ADA</b>

<b>Applicable thermostatic valve only (not shown)**:</b>	
3/4" Transfer valve	K-728-K
**Required for illustration configured below.	

### Installation Notes

Install this product according to the installation guide.



K-T376