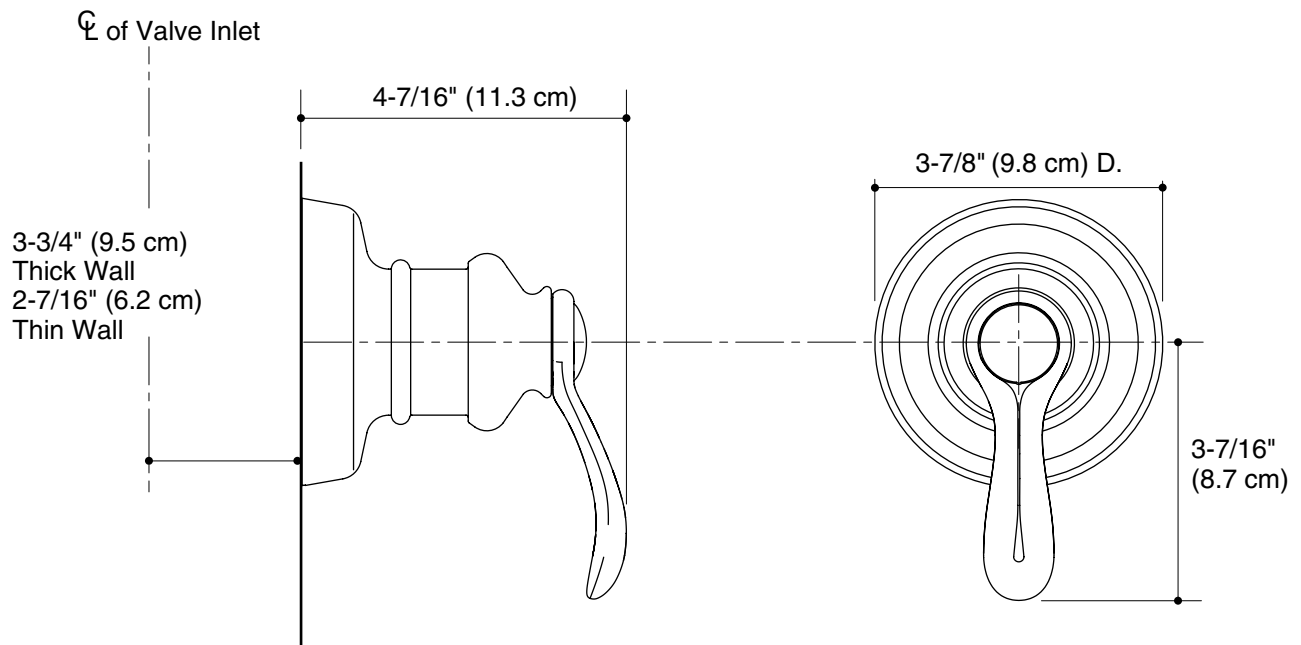


Product Information

Applicable faucet trim only*:	
Thermostatic valve trim	K-T12189
*Applicable valve must be ordered to complete the faucet.	
Lever handle is ADA, CSA B651, and OBC compliant.	
Applicable thermostatic valve only (not shown)**:	
3/4" Transfer valve	K-728-K
**Required for the illustration configured below.	

Installation Notes

Install this product according to the installation guide.



K-T12189