

Product Information

Applicable product:	
Undercounter Lavatory	K-2832
Product is ADA Compliant.	
ADA	
Fixture:*	
Basin area	19-5/8" (49.8 cm) x 15" (38.1 cm)
Drain hole	1-3/4" (4.4 cm) D.
Water depth	5-1/2" (14.0 cm)
* Approximate measurements for comparison only.	
Included Components:	
Basin clamp assembly	52047
Cut-out template	1046629-7

Installation Notes

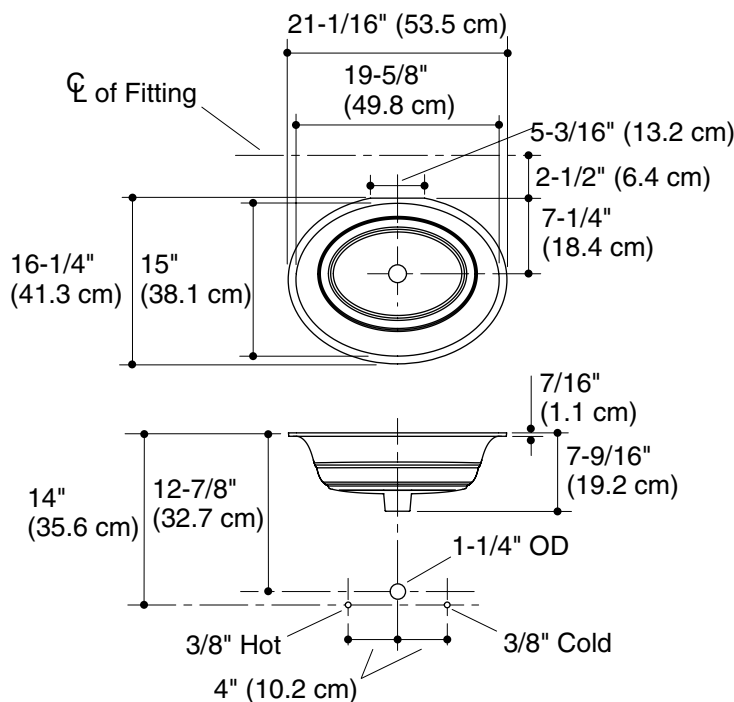
Install this product according to the installation guide.

Product does not have overflow.

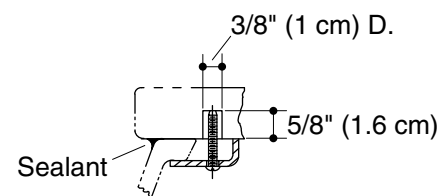
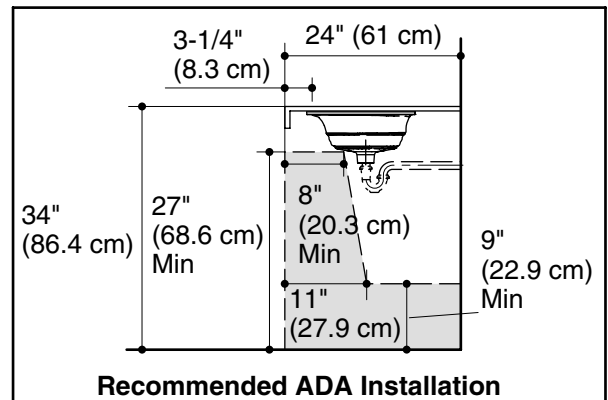
Supplied basin clamp assemblies require 1" (2.5 cm) minimum countertop thickness. Installer must supply anchors for thinner countertops.

NOTICE: The countertop manufacturer or cutter **must** use the cutout template provided with the product, or a current one provided by the Kohler Co. (call 1-800-4-KOHLER). Kohler Co. is not responsible for cutout errors when the incorrect cutout template is used.

Fixture conforms to ASME Standard A112.19.1/CSA B45.2. All dimensions are nominal.



Standard Installation



Marble Installation



Wood Installation