

### Product Information

Applicable product:	
Bath cable drain	K-7273
Included components:	
Cut-line template	1095518

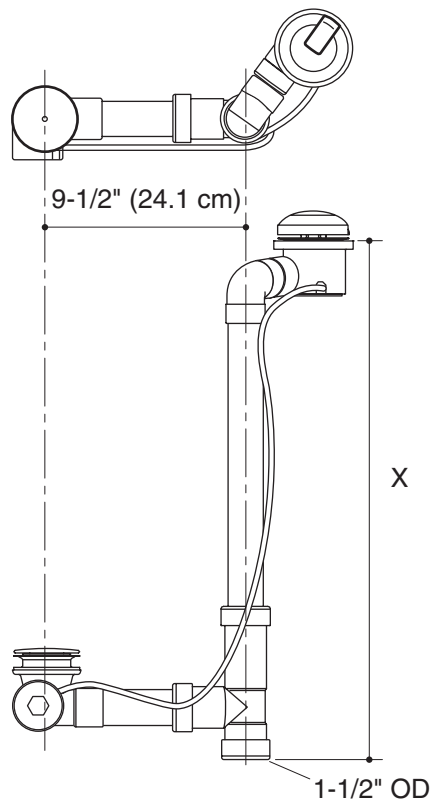
### Installation Notes

Install this product according to the installation and care guide.

Dimension **X** = The cut length of the brass pipe will depend upon your bath model. To determine the correct cut length of the brass pipe, refer to the cut-line template packed with the drain or the "Cut the Pipe" section of the installation and care guide.

**NOTE:** When using the cut-line template, butt the edges of the cut-line template against the respective flat ends of the overflow coupling and drain elbow fittings. This will ensure the brass pipe is cut to the correct length.

For Baths: K-1190  
 K-1110  
 K-1110-G, -GCR, -CT, -AH, -M, -V



For Baths: K-1143  
 K-1152  
 K-1153

