

Product Information

Applicable product:	
9" (229 mm) grab bar	K-11890
12" (305 mm) grab bar	K-11891
18" (457 mm) grab bar	K-11892
24" (610 mm) grab bar	K-11893
32" (813 mm) grab bar	K-11894
36" (914 mm) grab bar	K-11895
42" (1067 mm) grab bar	K-11896
48" (1219 mm) grab bar	K-11897
<p>With the exception of the 9" (229 mm) grab bar, these products will comply with the Americans with Disabilities Act (the "Act") when installed per the following Accessibility Guidelines of the Act (Section 604 Water Closets/Toilet Compartments); Section 607 (Bathtubs); Section 608 (Shower Compartments); and/or Section 609 (Grab Bars).</p>	

ADA

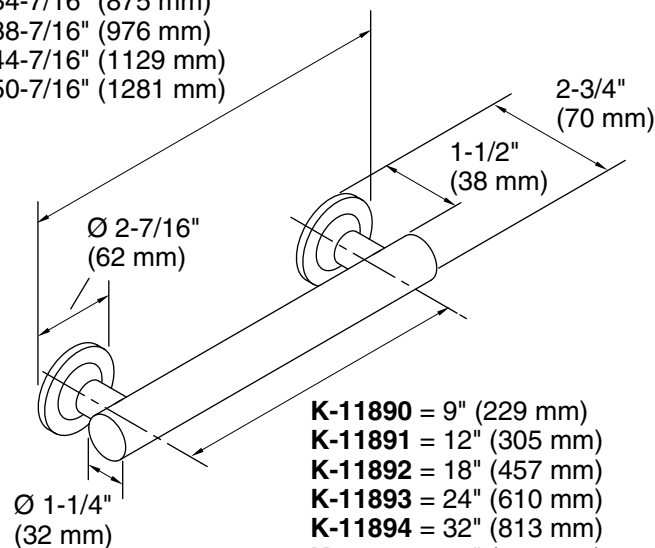
Installation Notes



WARNING: Risk of personal injury. The wall plates on the grab bar must be mounted to a brace between the wall studs. This will ensure that the weight of the user is adequately supported.

Install this product according to the installation guide.

K-11890 = 11-7/16" (291 mm)
K-11891 = 14-7/16" (367 mm)
K-11892 = 20-7/16" (519 mm)
K-11893 = 26-7/16" (672 mm)
K-11894 = 34-7/16" (875 mm)
K-11895 = 38-7/16" (976 mm)
K-11896 = 44-7/16" (1129 mm)
K-11897 = 50-7/16" (1281 mm)



K-11890 = 9" (229 mm)
K-11891 = 12" (305 mm)
K-11892 = 18" (457 mm)
K-11893 = 24" (610 mm)
K-11894 = 32" (813 mm)
K-11895 = 36" (914 mm)
K-11896 = 42" (1067 mm)
K-11897 = 48" (1219 mm)