

TC18 3" Incandescent Complete Round Fixture

Non-IC Rated



Features

- 3" Shallow round housing fits into tight spaces
- Unique plaster frame design facilitates new or remodel type installation
- Shipped as a complete fixture with housing, trim and bar hangers
- Real Nail® 3 bar hangers: telescoping system with pre-installed removable nail for easy repositioning of housing in joist construction • Integral T-bar mounting feature for secure installation in suspended ceilings • Patented breakaway bars for tight joist spacing • Curved foot facilitates alignment with joist bottom
- Steel housing is fully assembled for ease of installation
- Medium base porcelain socket with nickel-plated copper screw shell
- Pre-wired junction box with (5) 1/2" knockouts with pryout slots, (3) non-metallic sheathed cable connectors, and ground wire
- UL Listed, C-UL/CSA certified for through-branch wiring, maximum 4 #12 AWG minimum 90° C branch circuit conductors (2 in, 2 out)
- Thermally protected against improper use of insulation and lamps
- One 60W Max. PAR16 lamp



Description

Non-IC recessed housing with trim can be installed in either new construction or remodel applications

- Designed to be installed in non-insulated areas, or where insulation is spaced at least 3" from housing
- Round niche fixture produces focused accent lighting from a miniature 2 1/2" aperture

Listings

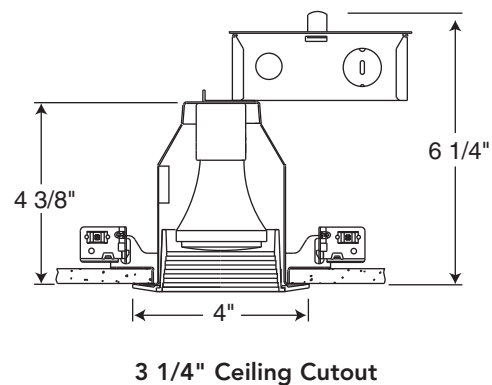
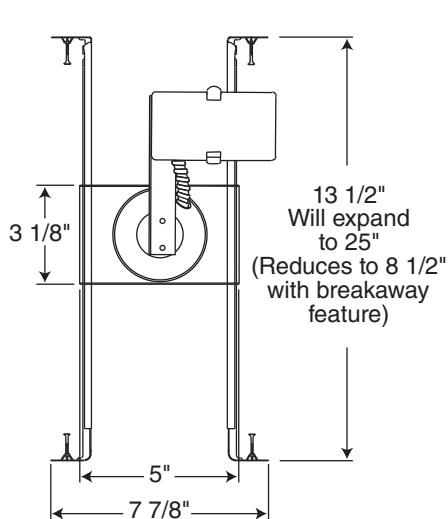
UL Listed, C-UL/CSA certified for through-branch wiring and damp locations • Conforms with City of Chicago IP requirements

Ordering Information

Catalog Number: **TC18-184B-WH** - Housing with black baffle, white trim ring

Catalog Number: **TC18-184W-WH** - Housing with white baffle, white trim ring

Dimensions



Down-Lites

