

ITEM # 0484712
3 DRAWER
WORKBENCH
MODEL #3DPCWB2013

Français p. 16

Español p. 31

KOBALT® and the K Design® are registered trademarks of LF, LLC. All Rights Reserved.

ATTACH YOUR RECEIPT HERE

Serial Number _____ Purchase Date _____

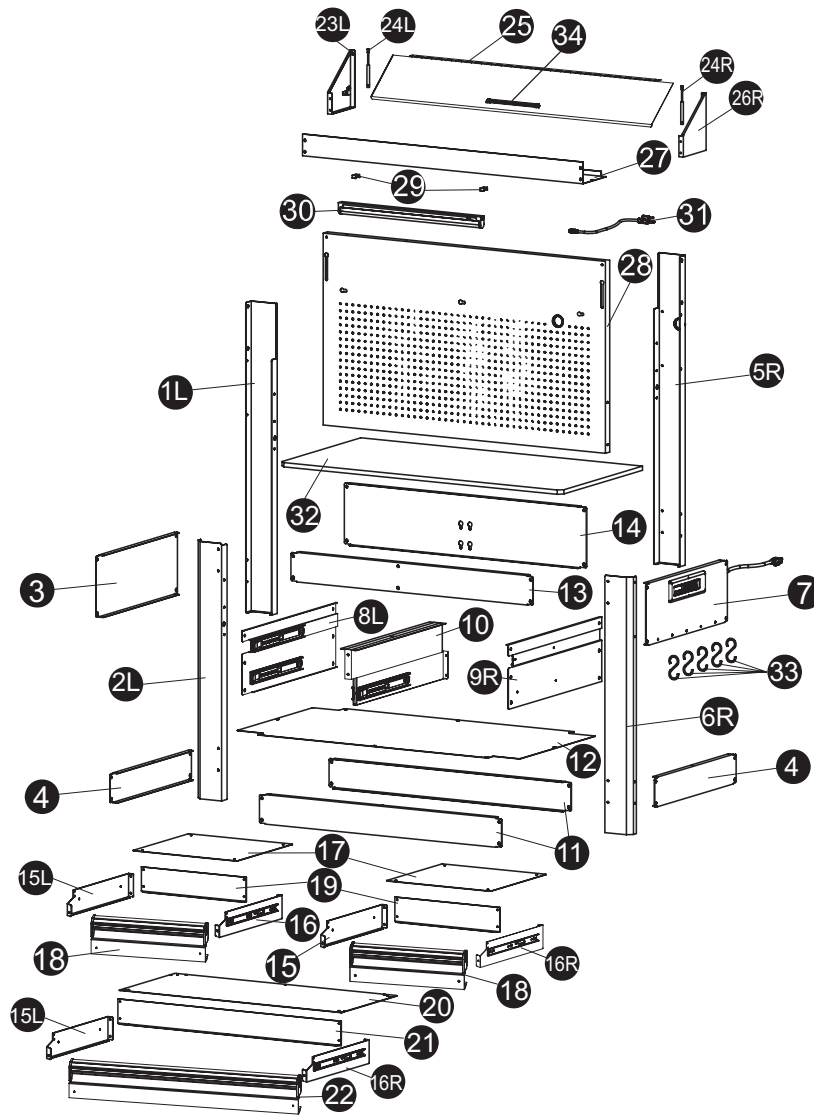


Questions, problems, missing parts? Before returning to your retailer, call our customer service department at 1-888-3KOBALT (1-888-356-2258), 8 a.m. - 8 p.m., EST, Monday - Friday.

TABLE OF CONTENTS

Package Contents	3
Hardware Contents	4
Safety Information	4
Preparation.	4
Assembly Instructions	5
Care and Maintenance.	14
Troubleshooting	14
3 Year Limited Warranty	15
Replacement Parts List	15

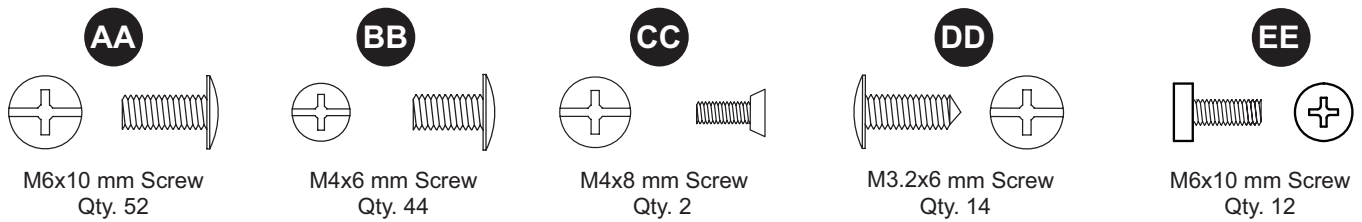
PACKAGE CONTENTS



PART	DESCRIPTION	QUANTITY
1L	Rear leg (left)	1
2L	Front leg (left)	1
3	Side panel (left)	1
4	Side frames (left & right)	2
5R	Rear leg (right)	1
6R	Front leg (right)	1
7	Side panel (right)	1
8L	Drawer slide panel (left)	1
9R	Drawer slide panel (right)	1
10	Slide support (intermediate)	1
11	Bottom frame (front & rear)	2
12	Base panel	1
13	Upper panel	1
14	Back panel	1
15L	Drawer side panel (left)	3
16R	Drawer side panel (right)	3
17	Drawer bottom panel (small)	2
18	Drawer front (small)	2


PART	DESCRIPTION	QUANTITY
19	Drawer back (small)	2
20	Drawer bottom panel (large)	1
21	Drawer back (large)	1
22	Drawer front (large)	1
23L	Storage cage side panel (left)	1
24L	Hinge (left)	1
24R	Hinge (right)	1
25	Storage cage lid	1
26R	Storage cage side panel (right)	1
27	Storage cage bottom panel	1
28	Pegboard	1
29	Light support bracket	2
30	Light	1
31	Light power cord	1
32	Wooden table top	1
33	Hanging hook	5
34	Storage cage lid drawer puller	1


HARDWARE CONTENTS




SAFETY INFORMATION


Please read and understand this entire manual before attempting to assemble, operate or install the product.


 **DANGER:** ELECTRICAL SHOCK HAZARD. Do not plug the cord into an outlet with wet hands. Do not use this tool chest near a bathtub, shower or swimming pool. Follow this manual for recommended usage.

 **WARNING:** Read all safety warnings and all instructions. Failure to follow all warnings and instructions may result in electric shock, fire and/or serious injury. Save all warnings and instructions for future use.

 **WARNING:** KEEP CHILDREN AWAY from item at all times.

 **WARNING:** DO NOT stand on this product. You may fall which could cause personal injury and product damage.

 **WARNING:** BE CAREFUL when opening more than one drawer. The item may become unstable and tip over causing personal injury and/or product damage.

 **WARNING:** DO NOT step in the drawers. You may fall which may cause personal injury or product damage.

CAUTION: DO NOT open more than one drawer at a time.

CAUTION: DO NOT mount this product on a truck bed or any other moving object.

CAUTION: DO NOT alter this product in any manner. For example, do not weld external lock bars or attach electrical equipment.

CAUTION: The maximum weight for each drawer should NOT exceed 100 lbs.

PREPARATION

Before you begin the assembly of this product, ensure that all parts are present. Compare all parts with the package contents list and hardware contents list. If any part is missing or damaged, do not attempt to assemble the product.

Estimated Assembly Time: 120 minutes

Tools Required for Assembly (not included): Phillips Screwdriver

ASSEMBLY INSTRUCTIONS

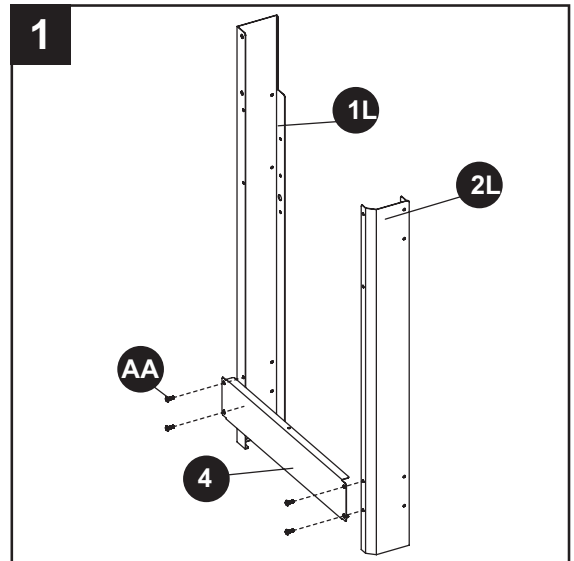
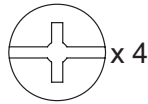
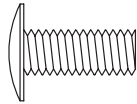
Important: Do not over-tighten the screws as this may result in stripping them. After the workbench is completely assembled, fully tighten each screw.

1. Attach the left rear leg (1L) and the left front leg (2L) to the side frame (4) using screws (AA). On the side frame (4), ensure the edge with the hole is facing up.

Hardware Used

AA

M6x10 mm
Screw

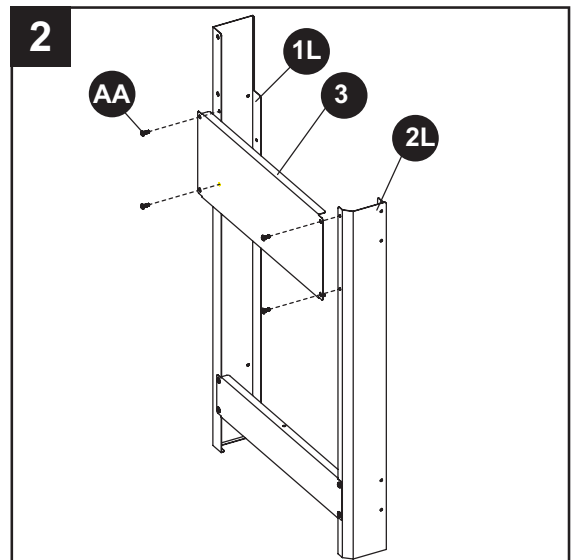
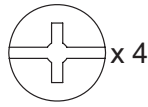
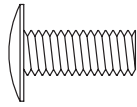


2. Attach the left side panel (3) using screws (AA).

Hardware Used

AA

M6x10 mm
Screw



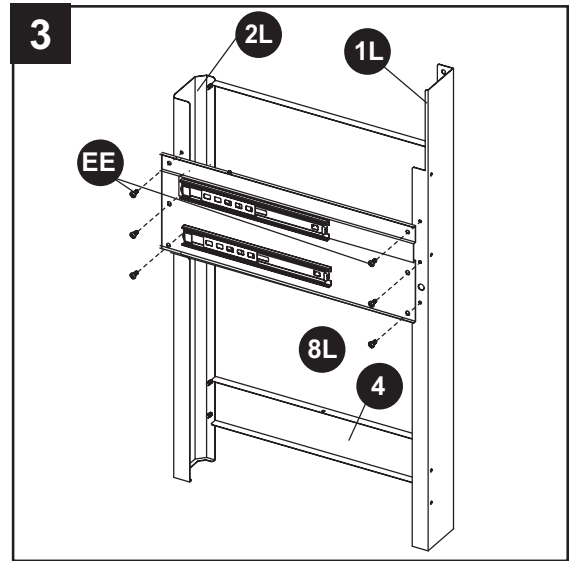
ASSEMBLY INSTRUCTIONS

3. Align the left drawer slide panel (8L) with the pre-drilled holes, ensuring the slides are toward the front of the unit. Attach using screws (EE).

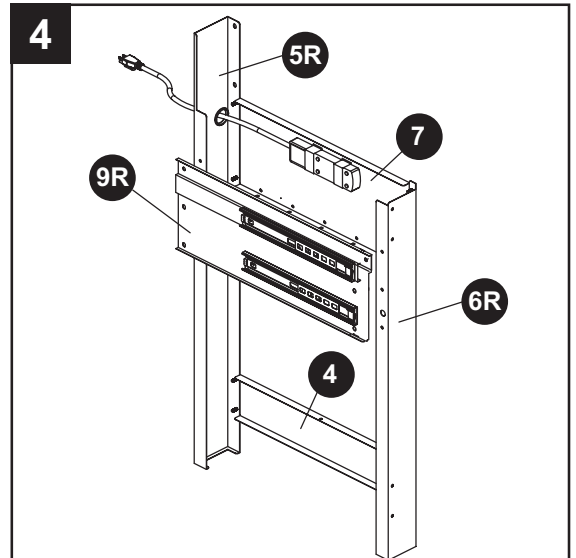
Hardware Used

EE M6x10 mm Screw   x 6

Repeat steps 1 through 3 for the right legs (5R and 6R), right side panel (7) and drawer slide panel right (9R).



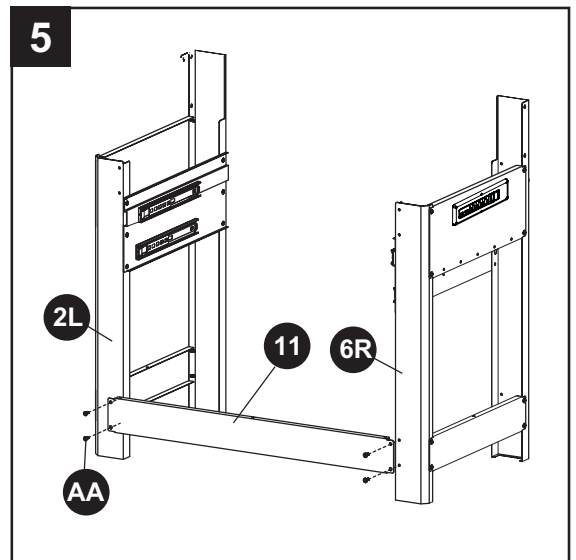
4. Feed the power cord from the power strip portion of the right side panel (7) through the grommet in the right rear leg (5R).



5. Attach a bottom frame (11) to the front of the left and right front legs (2L and 6R) using screws (AA). Ensure the holes on the bottom frame (11) are facing up.

Hardware Used

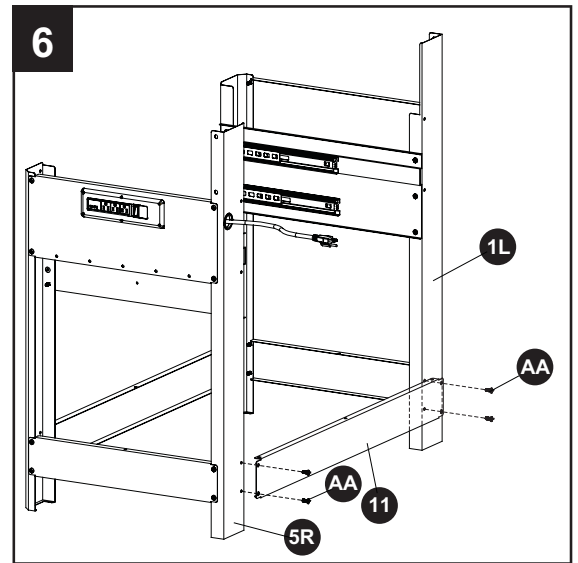
AA M6x10 mm Screw   x 4



ASSEMBLY INSTRUCTIONS

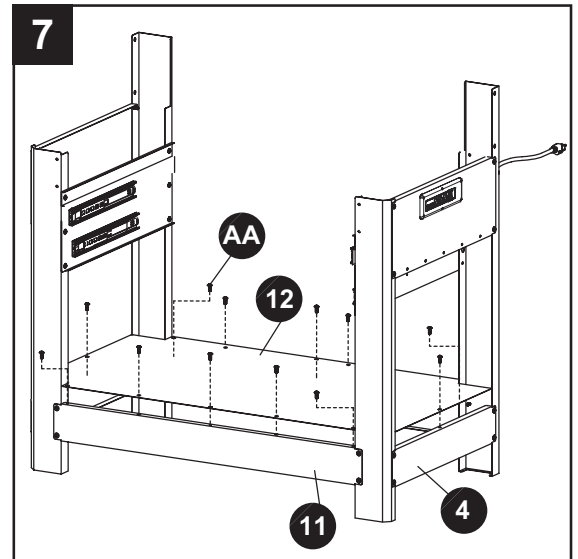
6. Attach a bottom frame (11) to the front of the left and right rear legs (1L and 5R) using screws (AA). Ensure the holes on the bottom frame (11) are facing up.

Hardware Used



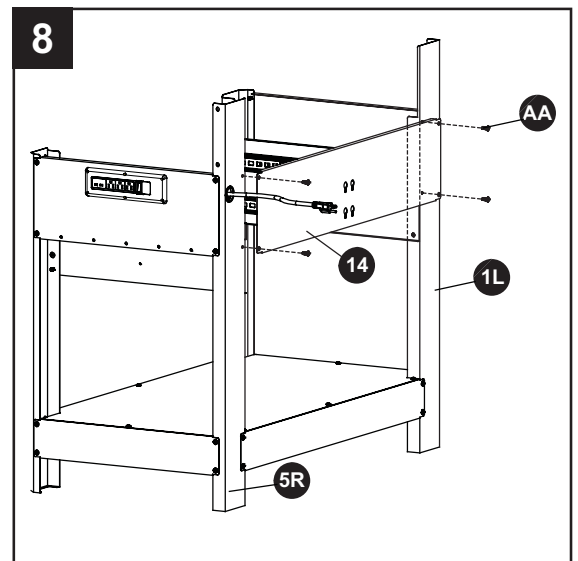
7. Attach the base panel (12) to the bottom frames (11) and side frames (4) using screws (AA).

Hardware Used



8. Attach the back panel (14) to the left rear leg (1L) and right rear leg (5R) using screws (AA).

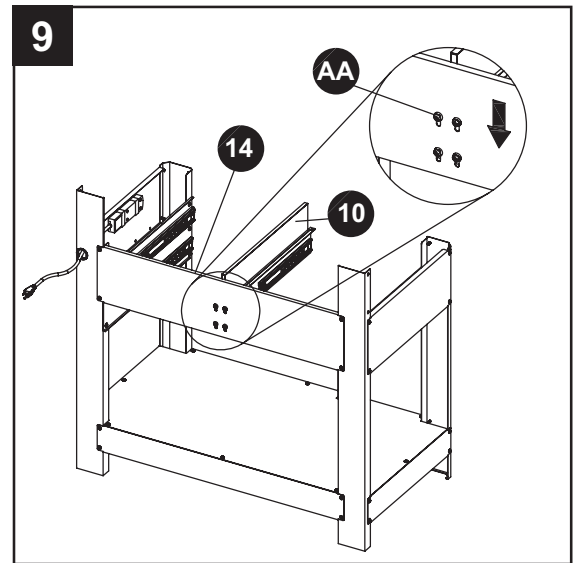
Hardware Used



ASSEMBLY INSTRUCTIONS

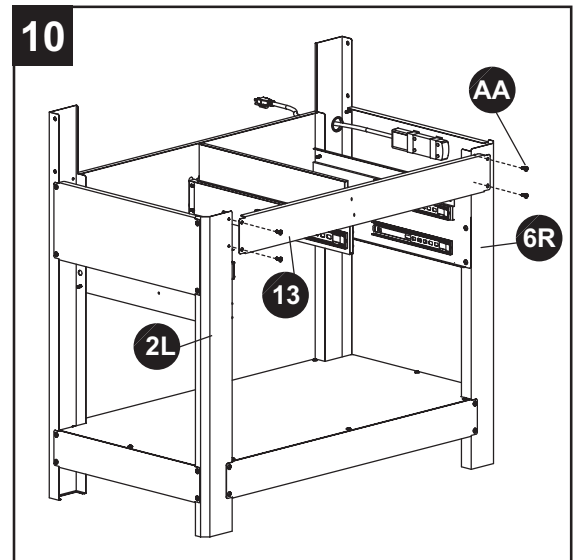
9. Loosely attach screws (AA) to the end of the intermediate slide support (10). Align the screws (AA) with the holes in the back panel (14), insert the screws (AA) into the holes and lower the intermediate slide support (10). Tighten the screws (AA).

Hardware Used



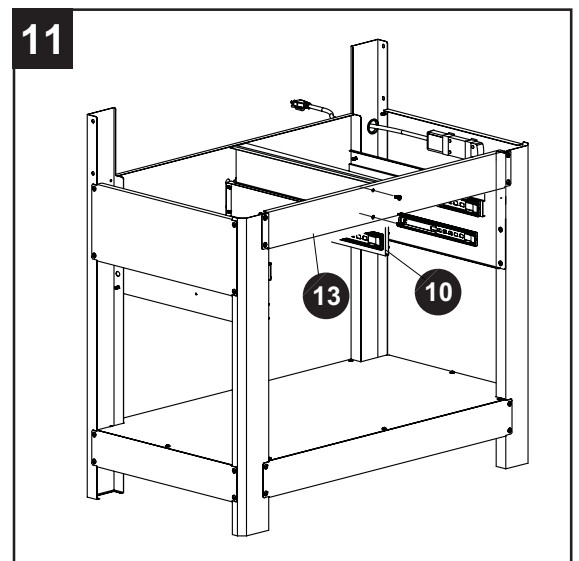
10. Attach the upper panel (13) to the left front leg (2L) and right front leg (6R) using screws (AA).

Hardware Used



11. Secure the intermediate slide support (10) to the upper panel (13) by inserting screws (AA) through the slide support (10) and into the upper panel (13).

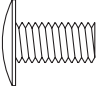

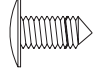

Hardware Used

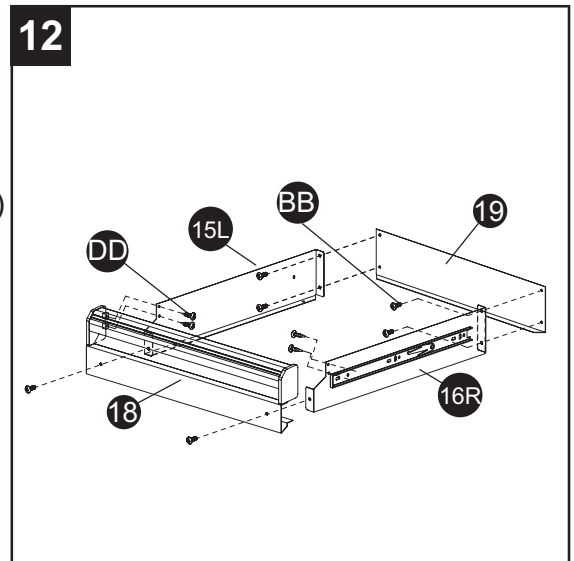


ASSEMBLY INSTRUCTIONS

12. Attach the small drawer front (18) to the left drawer side panel (15L) and right drawer side panel (16R) by inserting screws (BB) through the small drawer front (18) and into the side panels (15L and 16R). Insert (DD) screws through parts (15L and 16R) and into sides of drawer front (18). Attach the small drawer back (19) to the left and right drawer side panels (15L and 16R) by inserting screws (BB) through the side drawer panels (15L and 16R) and into the large drawer back (21).

Hardware Used

BB	M4x6 mm Screw			x 6
DD	M3.2x6 mm Screw			x 4



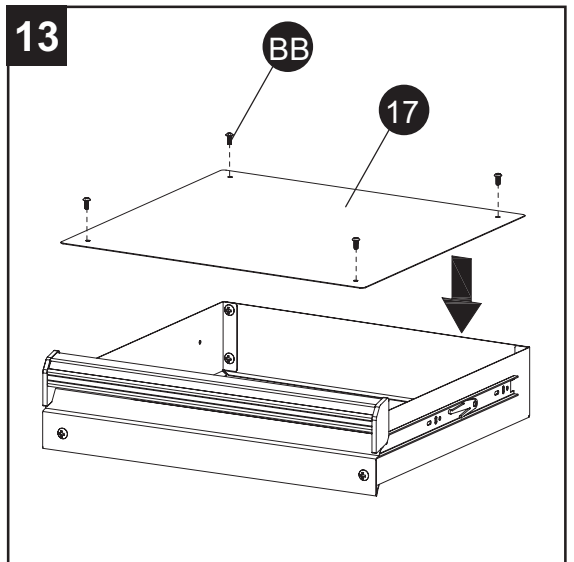
13. Insert the small drawer bottom panel (17) into the drawer assembly and attach with the screws (BB).

Note: The additional holes in the drawer bottom are there for drainage in the event of a spill.

Hardware Used

BB	M4x6 mm Screw			x 4
-----------	------------------	---	---	-----

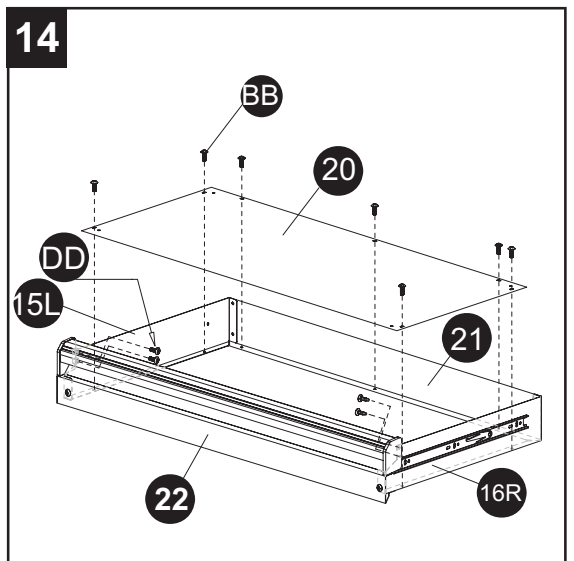
Repeat steps 12 and 13 to assemble the second small drawer. Set the drawers aside. They will be installed later in the procedure.



14. Attach the large drawer front (22) to the left drawer side panel (15L) and right drawer side panel (16R) by inserting screws (BB) through the large drawer front (22) and into the side panels (15L and 16R). Insert (DD) screws through parts (15L and 16R) and into sides of drawer front (22). Attach the large drawer back (21) to the left and right drawer side panels (15L and 16R) by inserting screws (BB) through the side drawer panels (15L and 16R) and into the large drawer back (21).

Hardware Used

BB	M4x6 mm Screw			x 13
DD	M3.2x6 mm Screw			x 4



ASSEMBLY INSTRUCTIONS

15. Extend the slides located on the drawer slide panels (8L and 9R) to their full extension over the drawer rails. Align the drawer with the extended slides. Insert the extended slides into the slide supports on both sides of the drawer. Without exerting undue pressure on the drawer, slowly and evenly push the drawer into the workbench. Once inserted, completely close the drawer to set the slides in their regular operating position.

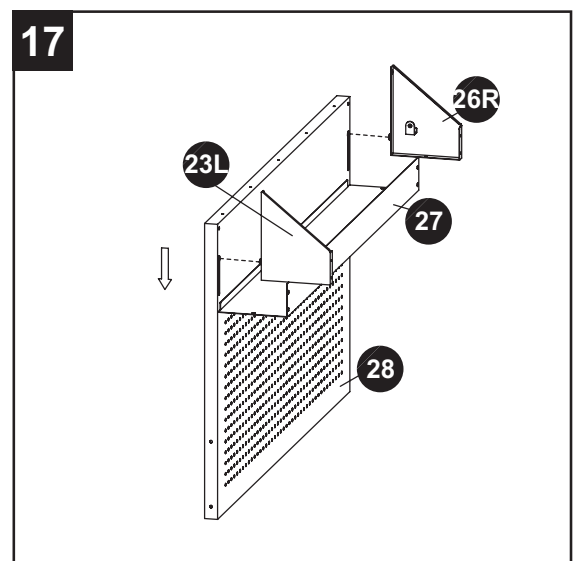
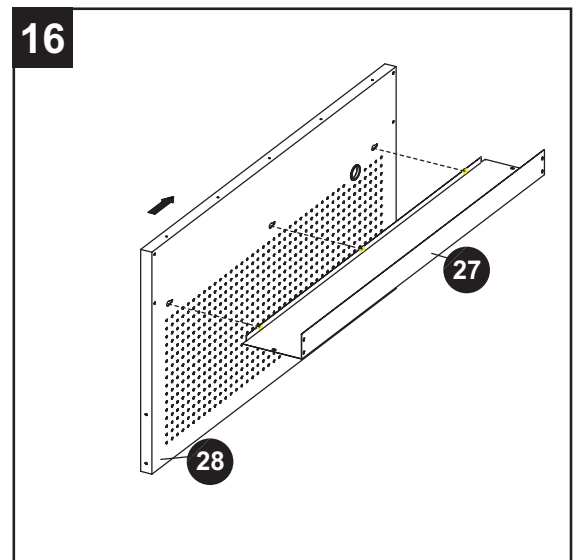
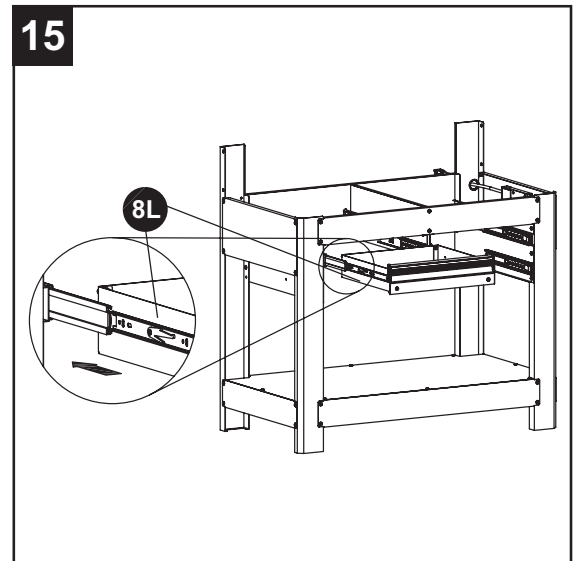
Note: The drawer will stop initially at the detent on the drawer slide. Apply even pressure against the front of the drawer to engage the detent. Do not slam the drawer shut.

Repeat this procedure to install the other two drawers.

16. Insert the storage cage bottom panel (27) into the three keyhole slots on the front of the pegboard (28). Slide the storage cage bottom panel (27) to the right to lock in place.

17. Insert the left storage cage side panel (23L) into the keyhole slot on the left side of the pegboard (28). Slide the left storage cage side panel (23L) down until it meets the storage cage bottom panel (27).

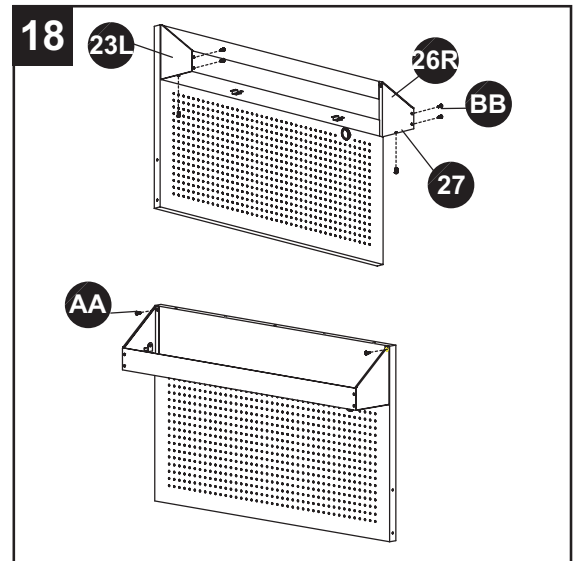
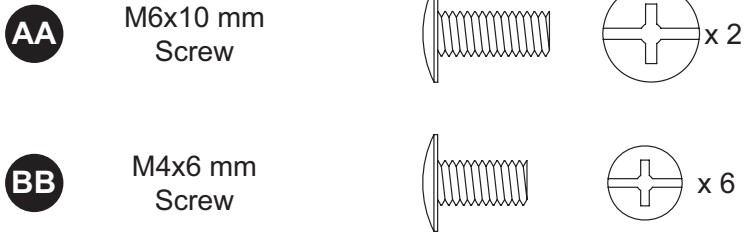
Repeat this step for the right storage cage side panel (26R).



ASSEMBLY INSTRUCTIONS

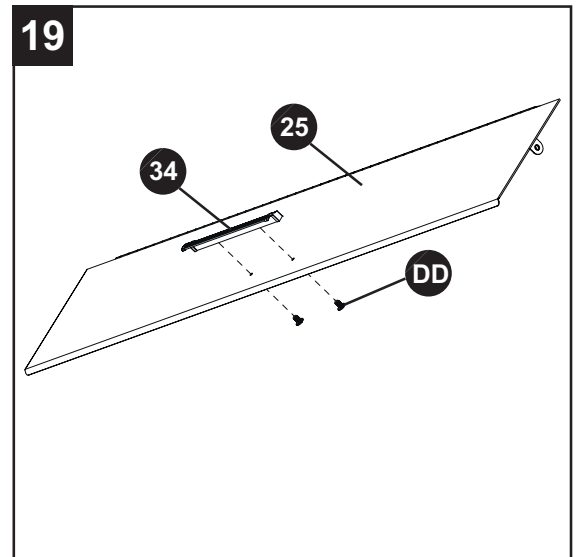
18. Secure the left and right storage cage side panels (23L and 26R) with screws (AA and BB).

Hardware Used



19. Align the storage cage lid (25) with the storage cage lid drawer pull (34). Secure using the screws (DD).

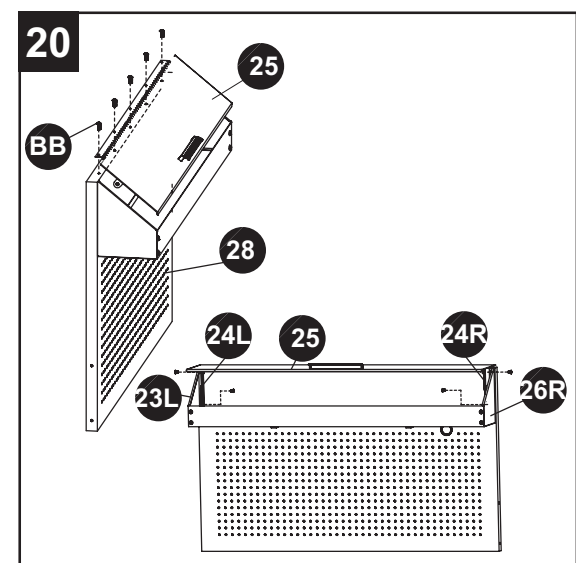
Hardware Used



20. Align the hinged edge of the storage cage lid (25) with the top of the pegboard (28). Secure using screws (BB). Remove the screws from inside the storage cage installed on the left storage cage side panel (23L), the storage cage lid (25) and the right storage cage side panel (26R). Install the left hinge (24L) and the right hinge (24R) using the removed screws.

Note: Attach the short leg of the hinge to the sides of the cage and fold the hinge forward.

Hardware Used



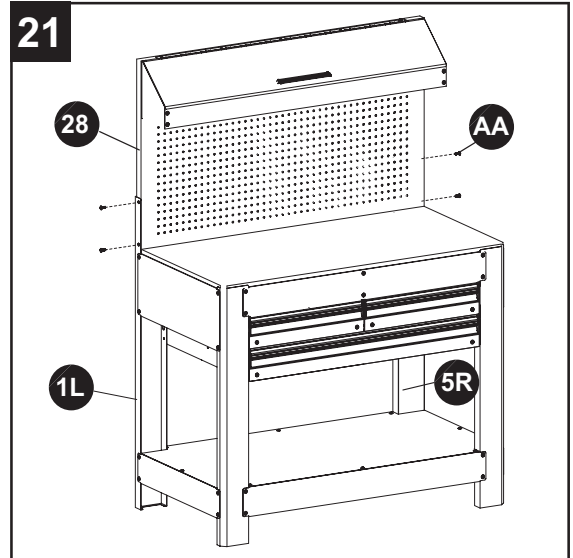
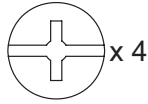
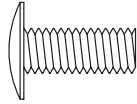
ASSEMBLY INSTRUCTIONS

21. Attach the pegboard (28) to the left rear leg (1L) and the right rear leg (5R) using screws (AA).

Hardware Used

AA

M6x10 mm
Screw

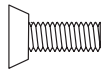


22. Attach the light support brackets (29) to the underside of the storage cage bottom panel (27) using screws (CC) packaged with the light support bracket (29). The light support bracket (29) is packed in the box with the light (30).

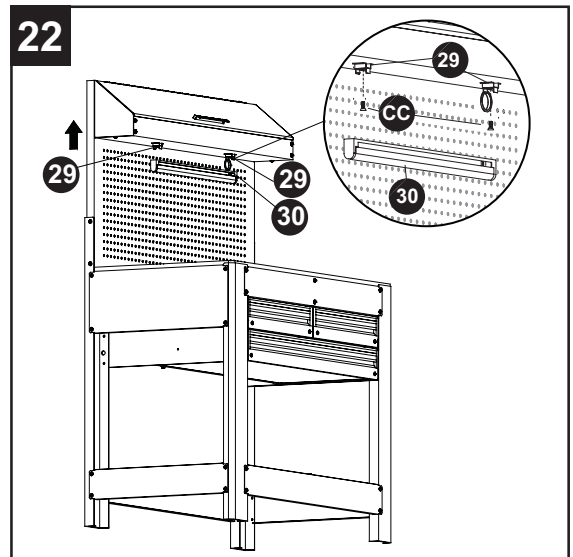
Hardware Used

CC

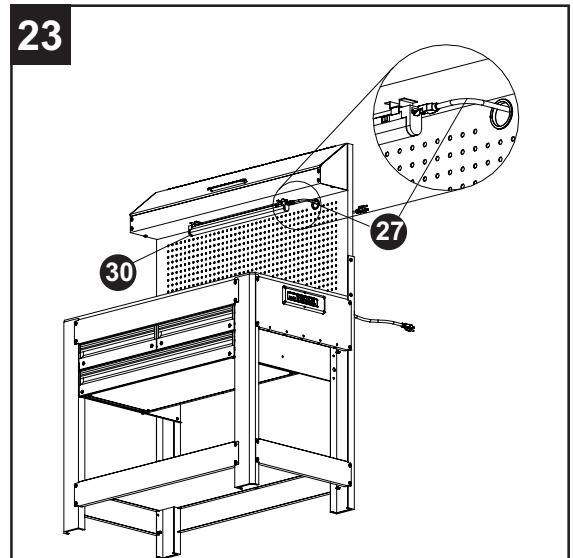
M4x8 mm
Screw



x 2

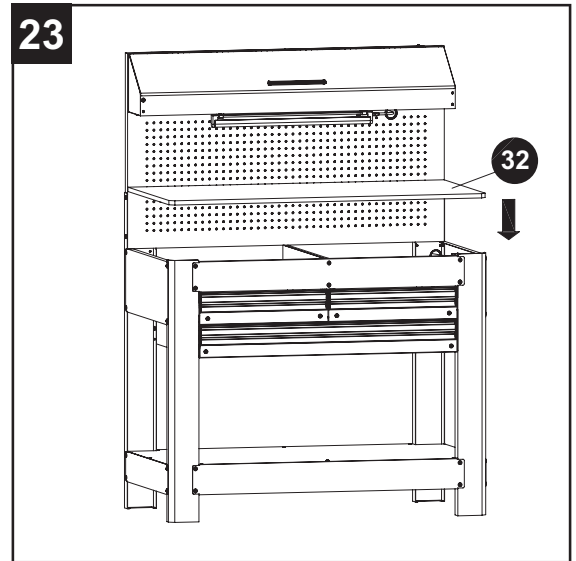


23. Install the light (30) into the light support brackets (29). Feed the light power cord (31) through the grommet in the pegboard (28). Plug the light power cord (31) into the light (30).

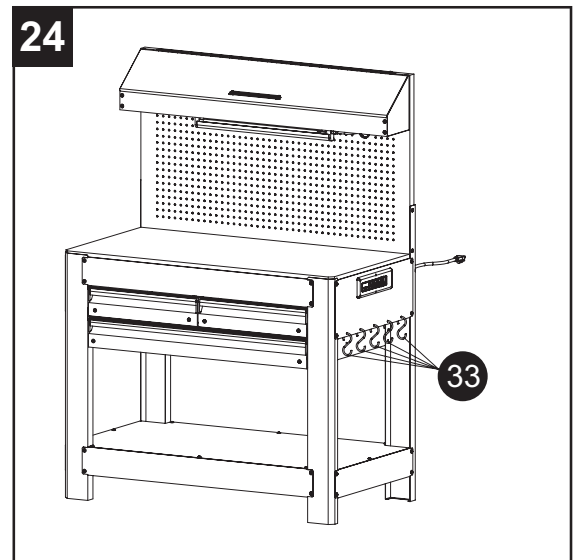


ASSEMBLY INSTRUCTIONS

23. Place the wooden table top (32) onto the workbench above the drawers.

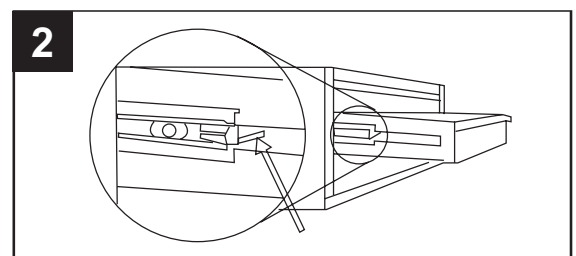
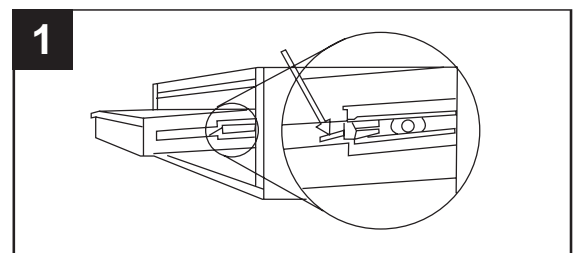


24. Insert the hanging hooks (33) into the holes on the right side of the workbench.



DRAWER REMOVAL

1. Pull the drawer out of the workbench until the slides are fully extended. Push the release lever down on the right side of the drawer.
2. Pull the release lever up on the left side of the drawer. Holding both levers, pull the drawer out until the drawer releases from the drawer slides.



CARE AND MAINTENANCE

Cleaning

1. Clean using a mild liquid soap, rinse with clean water and dry thoroughly. Do not clean with abrasive detergents.
2. Clean off water or other liquids spilled or splashed on the workbench immediately and dry the unit thoroughly.
3. Keep your workbench covered to protect it from dust and moisture that could potentially damage the unit.

TROUBLESHOOTING

PROBLEM	POSSIBLE CAUSE	CORRECTIVE ACTION
The tools plugged into the power strip do not work.	The power cord plugs are loose.	Ensure the power cord plugs are plugged in properly.
The lamp light is flickering.	The lamp tube is old.	Replace the lamp tube.
The light does not work.	1. The lamp plug is loose. 2. The lamp tube is old.	1. Ensure the power cord plug is plugged in properly. 2. Replace the lamp tube.

3-YEAR LIMITED WARRANTY

This item carries a 3-year warranty from the date of purchase against defective parts and workmanship. Warranty does not cover damage due to mishandling or abuse. This warranty gives you specific legal rights, and you may have other rights that vary from state to state.

REPLACEMENT PARTS LIST

PART	DESCRIPTION	PART ID	PART	DESCRIPTION	PART ID
1L	Rear leg (left)	HSWKB-1	21	Drawer back (large)	HSWKB-21
2L	Front leg (left)	HSWKB-2	22	Drawer front (large)	HSWKB-22
3	Side panel (left)	HSWKB-3	23L	Storage cage side panel (left)	HSWKB-23
4	Side frames (left & right)	HSWKB-4	24L	Hinge (left)	HSWKB-24
5R	Rear leg (right)	HSWKB-5	24R	Hinge (right)	HSWKB-25
6R	Front leg (right)	HSWKB-6	25	Storage cage lid	HSWKB-26
7	Side panel (right)	HSWKB-7	26R	Storage cage side panel (right)	HSWKB-27
8L	Drawer slide panel (left)	HSWKB-8	27	Storage cage bottom panel	HSWKB-28
9R	Drawer slide panel (right)	HSWKB-9	28	Pegboard	HSWKB-29
10	Slide support (intermediate)	HSWKB-10	29	Light support bracket	HSWKB-30
11	Bottom frame (front & rear)	HSWKB-11	30	Light	HSWKB-31
12	Base panel	HSWKB-12	31	Light power cord	HSWKB-32
13	Upper panel	HSWKB-13	32	Wooden table top	HSWKB-33
14	Back panel	HSWKB-14	33	Hanging hook	HSWKB-34
15L	Drawer side panel (left)	HSWKB-15	34	Storage cage lid drawer puller	HSWKB-35
16R	Drawer side panel (right)	HSWKB-16	AA	M6x10 mm Screw	HSWKB-36
17	Drawer bottom panel (small)	HSWKB-17	BB	M4x6 mm Screw	HSWKB-37
18	Drawer front (small)	HSWKB-18	CC	M4x8 mm Screw	HSWKB-38
19	Drawer back (small)	HSWKB-19	DD	M3.2x6 mm Screw	HSWKB-39
20	Drawer bottom panel (large)	HSWKB-20	EE	M6x10 mm Screw	HSWKB-40

For replacement parts, call our customer service department at 1-888-3KOBALT (1-888-356-2258), 8 a.m. - 8 p.m., EST, Monday - Friday.

Printed in China