

SharkBite

Brass Crimp Angle Stop Washing Machine Valve

Used to control the flow of water to washing machine appliances. Ideal for maintenance and repair without having to shut-off water to the entire home.

Features and Benefits

- Compatible with PEX and PE-RT pipe.
- Made from lead-free DZR Brass.
- Connects to PEX pipe with copper crimp rings or stainless steel clamps.

Applications

- Potable water
- Recirculation
- Radiant Heating (w/ Glycol concentration up to 100%)

Specification

Using the PEX plastic pipe cutters to cut the pipe to length, making sure that you have a good square cut. Slide the correct size Sharkbite clamp or crimp ring over the pipe approximately 2" past the end of the pipe. Push the pipe onto the Sharkbite barbed fitting until it touches the fitting shoulder. Position the clamp or crimp ring 1/8"-1/4" from the end of the tube. When making clamp connections, position the open jaws of the clamp tool over the raised tabs of the clamp ring and squeeze. Verify the connection is secure by visually checking the clamp tab. Make crimp connections by placing the jaws of the crimp tool over the copper crimp ring and squeezing until the jaws close completely. Verify that the connection is secure using the go / no-go gauge.



#23064LF

Specification Data

Performance

Minimum working temperature	33°F
Maximum working temperature	160°F
Maximum working pressure	125 psi

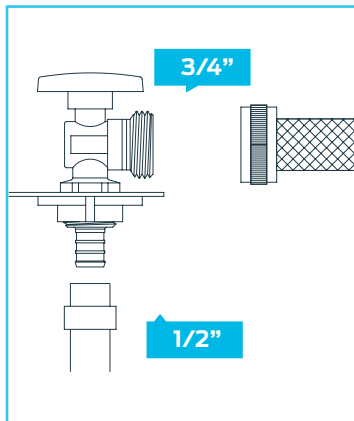
Material

1 Body	DZR LF Brass ¹
2 Seat Seal	PTFE
3 Ball	DZR LF Brass ¹
4 Stem	DZR LF Brass ¹
5 Olive	Copper
6 Nut	DZR Brass
7 Bonnet	DZR LF Brass ¹
8 O-Ring	EPDM
9 Handle	Zinc
10 Screw	SST

¹ Lead Free for all models, surfaces that are in contact with consumable water contain less than 0.25% lead by weight

Installation Requirements

1. Turn on water supply, and drain the line.
2. Cut pipe square or remove existing valve and disconnect supply line.
3. Remove burrs from inside and outside of pipe.
4. Mark 0.95-in insertion depth on pipe using depth gauge tool.
5. Push valve onto pipe to insertion depth mark.
6. Connect supply line to stop valve and fixture.
7. Turn on water and check connections.

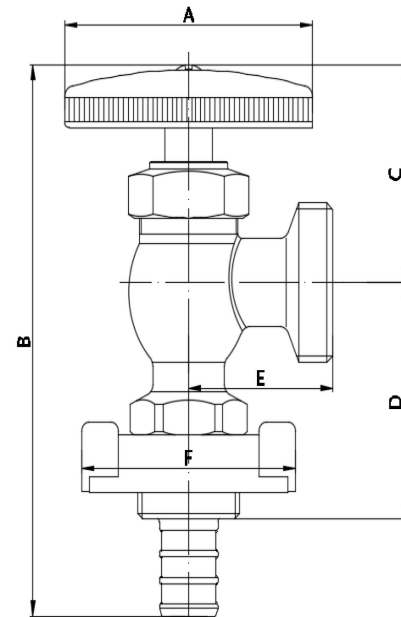


Pipe Type

PEX tubing complying with ASTM F 876 or CSA B137.5 and PE-RT tubing complying with ASTM F2769 or CSA B137.18.

Codes and Standards

ASME A112.18.1/CSA B125.1 NSF/ANSI-61



#23064LF

Dimensions

Description	Part #	A	B	C	D	E	F
1/2 in. Crimp X 3/4 in. GHT	23064LF	1.99	3.54	1.41	1.53	1.16	1.87

All measurements are displayed in inches