

réal® whirlpool bath

royal. kingly. réal, to the Spanish. a truly regal experience in contoured elegance—time-honored styling, gentle curves.



Imagine the essence of centuries of opulence, captured for a lap-of-luxury experience all your own. Our Réal® whirlpool delivers magnificence, beautifully, functionally—with an embracing hourglass shape, underwater lighting, and our patented Silent Air™ induction system for the height of relaxation.

features:

- 4 fully adjustable PowerPro® jets with a maximum flow rate of 45 GPM per jet
- 4 rotating neck jets
- 2 directionally adjustable foot jets
- Sculpted arm rests
- Factory installed RapidHeat™ heater
- Patented Silent Air™ induction system
- Exclusive Tru-Level™ self-leveling base system
- Multi-speed motor to customize the power of your massage

réal® whirlpool bath

model number: EH85

exterior dimensions:
72" long x 42" wide x 23" high

interior dimensions:
45" long x 24" wide

of Jets/type of Jets:
4 PowerPro® Jets,
4 AccuPro™ Rotating Neck Jets
2 AccuPro™ Foot Jets

operating gallons:
90 gallons

Detail: Softly curving lines and sculpted armrests make the Réal® whirlpool bath a beautiful place to relax and revitalize.





Real® Whirlpool Bath

Model: EH85

Ordering Information

Product Code:

EH85 Real™ Whirlpool Bath
Right Hand

- Center Drain Location
- Accessories / Hardware:
 - Rotary Drain Kit, 30" Cable #K606
 - Trim Kit: 2 BMH Jet Rings #J869
 - 2 X Trim Kit: 2 Neck Jet Rings #P556
 - Trim Kit: 4 HTA Jet Rings, 3 Control Panel overlays #P205
- Trim Kit Finishes Available:
 - (827) - Chrome
 - (898) - Brushed Chrome
 - (815) - Satin Nickel
 - (829) - Bright Brass
 - (805) - Platinum
 - (826) - Brushed Nickel
 - (849) - Oil Rubbed Bronze

Installation Notes

Refer to installation instructions included with fixture before beginning installation. Please confirm product availability and specifications before commencing with any installation work.

PRODUCT SPECIFICATIONS AND AVAILABILITY ARE SUBJECT TO CHANGE WITHOUT NOTICE.

Technical Specifications

Dimensions

72" L x 42" W x 23" H
(1829 mm) L x (1067 mm) W x (584 mm) H

Drain/Overflow

A: 20" (508 mm) B: 14" (356 mm)

Cutout

70" x 40"

Total Weight

1130 lb (514 kg) / 54 lb/ft² (263 kg/m²)

Operating Gallonage

90 U.S. gal (341 liters)

Product Weight

130 lb (59 kg)

Skirt Mounting

Not Available

Electrical Specifications

Requires a dedicated GFCI protected separate circuit.

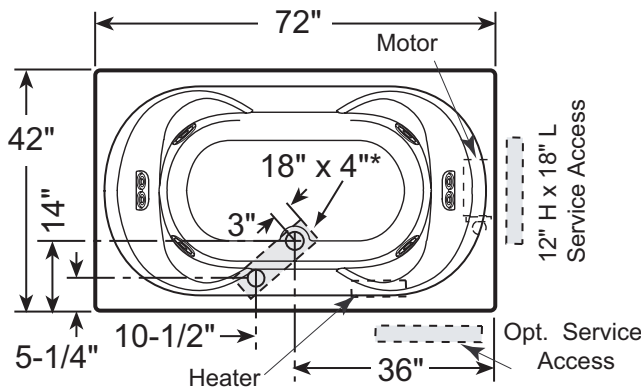
Motor/Pump: 120 VAC, 20 AMP, 60 Hz.

RapidHeat™: 120 VAC, 15 AMP, 60 Hz.

Heater (Standard)

Requires a dedicated GFCI protected separate circuit.

RapidHeat™: P/N S750000

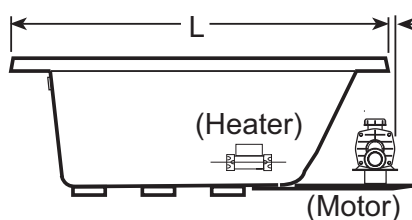


Product Shown: Real™ Whirlpool Bath Right Hand Shown Model: EH85

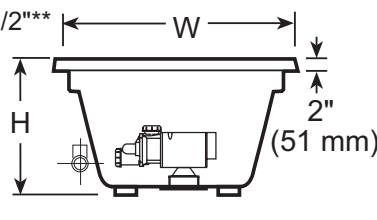
* Measurements inside unit represent cutout in floor to allow for drain/overflow.

Minimum Service Access dimensions given.

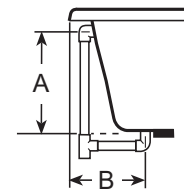
† Add 1/4" to this dimension when roughing-in for 3-wall niche.



SIDE VIEW



END VIEW



DRAIN/OVERFLOW

** Motor housing may extend beyond tub rim. See Install manual for installations instructions.