

OWNER'S MANUAL MODEL #06620



“BIG RED”™ Kamado Kooker

Coals burn up to 24 hours
Maintains 200 F to 700 F Temperature
“Burns Long & Hot for Juicy Moist Flavor”
“Same Grilling Characteristics as Ceramic”

COMPARE TO “CERAMIC” GRILL “New Technology allows for Better Cooking”

- ~45% Lighter Weight
- ~40% Lower Price
- ~9% Larger than “Large”
- Triple Wall & Insulation
- Easy Dump Ash Pan
- More Durable
- Legs & Shelves Included

Indexed Dampers

Heat Gauge

Insulated Steel Construction
Quick Heat-Up

Cast Iron Cooking Grates
▪ Enhances Flavor ▪ Constant & Even Heat ▪ Long-Lasting

Fold-Down Side Shelves

Utensil Hooks

Triple Wall Steel with Insulation
Juicy Moist Meat

Porcelain Interior

Cooler Surface

Removable Ash Pan
Easy Clean Up

Locking Rear Caster and Wheels
Easy Mobility

Contents

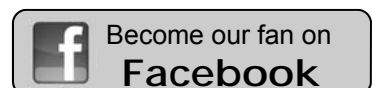
- Safety Warnings.....PG 2
- Assembly.....PG 4
- Accessories.....PG 12
- Recipes & Tips.....PG 13
- Meat Cut Chart.....PG 23

Patents Pending

Lump Charcoal
Best Results and Flavor

★
Easy Forgiving Grill

Keep your receipt with this manual for Warranty.



IMPORTANT SAFETY WARNINGS

READ ALL SAFETY WARNINGS AND INSTRUCTIONS CAREFULLY BEFORE ASSEMBLING AND OPERATING YOUR GRILL

- Use caution when assembling and operating your grill to avoid scrapes or cuts from sharp edges.
- Do not use gasoline, kerosene or alcohol for lighting charcoal. Use of any of these or similar products could cause an explosion possibly leading to severe bodily injury.
- Do not use lighter fluid on already lit coals.
- Keep children & pets away from grill. Supervision is necessary and do not leave grill unattended when in use. Use caution when moving grill to prevent strains. Keep grill at least 15 feet from any combustible material (decks, buildings, fences, trees, bushes, etc).
- When adding charcoal and/or wood, use extreme caution.
- Never move grill when it is in use or when it contains hot coals or ashes, keep the grill in a level position at all times while in use. ALWAYS latch lid when lid is in closed position.
- Do not place grill near flammable liquids, gases or where flammable vapors may be present.
- When opening grill, first open slightly to let a small amount of air in for a few seconds. This prevents large amounts of oxygen from getting to suffocated coals which may cause dangerous flash back.
- Use caution since flames can flare-up when fresh air suddenly comes in contact with fire. When opening the lid, keep hands, face and body safe from hot steam and flame flare-ups.
- Removing excess fat before cooking will help prevent flare-ups.
- Keep your grill clean to help prevent flare-ups.
- Always put charcoal on top of the fire grate and not directly into the bottom of the grill.
- Do not exceed a temperature of 700° F. Do not allow charcoal and/or wood to rest on the walls of grill. Doing so will greatly reduce the life of the grill
- Always wear oven mitts to protect hands from burns, especially when adjusting dampers. Avoid touching hot surfaces.
- When opening lid, make sure it is pushed all the way back so it rests against the lid support bracket. Use extreme caution as hood could fall back to a closed position and cause bodily injury.
- Close lid and all dampers to help suffocate flame.
- Always hold an open lid from the handle to prevent it from closing unexpectedly.
- Never leave coals and ashes unattended. Before grill can be left unattended, coals and ashes must be removed. Use caution to protect yourself and property. Carefully place remaining coals and ashes in a noncombustible metal container and saturate completely with water. Allow coals and water to remain in metal container 24 hours prior to disposing.
- To protect against bacteria that could cause illness, keep all meats refrigerated and thaw in refrigerator or microwave; keep raw meats separate from other foods; wash everything that contacts raw meats; cook thoroughly; and refrigerate leftovers immediately. Cook meats medium to well done.

SERIAL # _____



**P.O. Box 30864
Sea Island, GA
31561
912-638-4724
www.CharGriller.com**



Register your Grill online at www.CharGriller.com to insure your satisfaction and for follow-up service.

STOP! CALL  FIRST! DO NOT RETURN PRODUCT TO STORE.

Warranty Information – Charcoal Grill

Char-Griller® will repair or replace any defective part of its grillers/smokers for a period of up to one year from the date of purchase. Char-Griller® will also repair or replace the body (bottom half) of its grillers/smokers if the metal is rusted through or burned through for a period up to five years. Char-Griller will repair or replace any defective part of its side fire boxes for a period up to one year from the date of purchase.

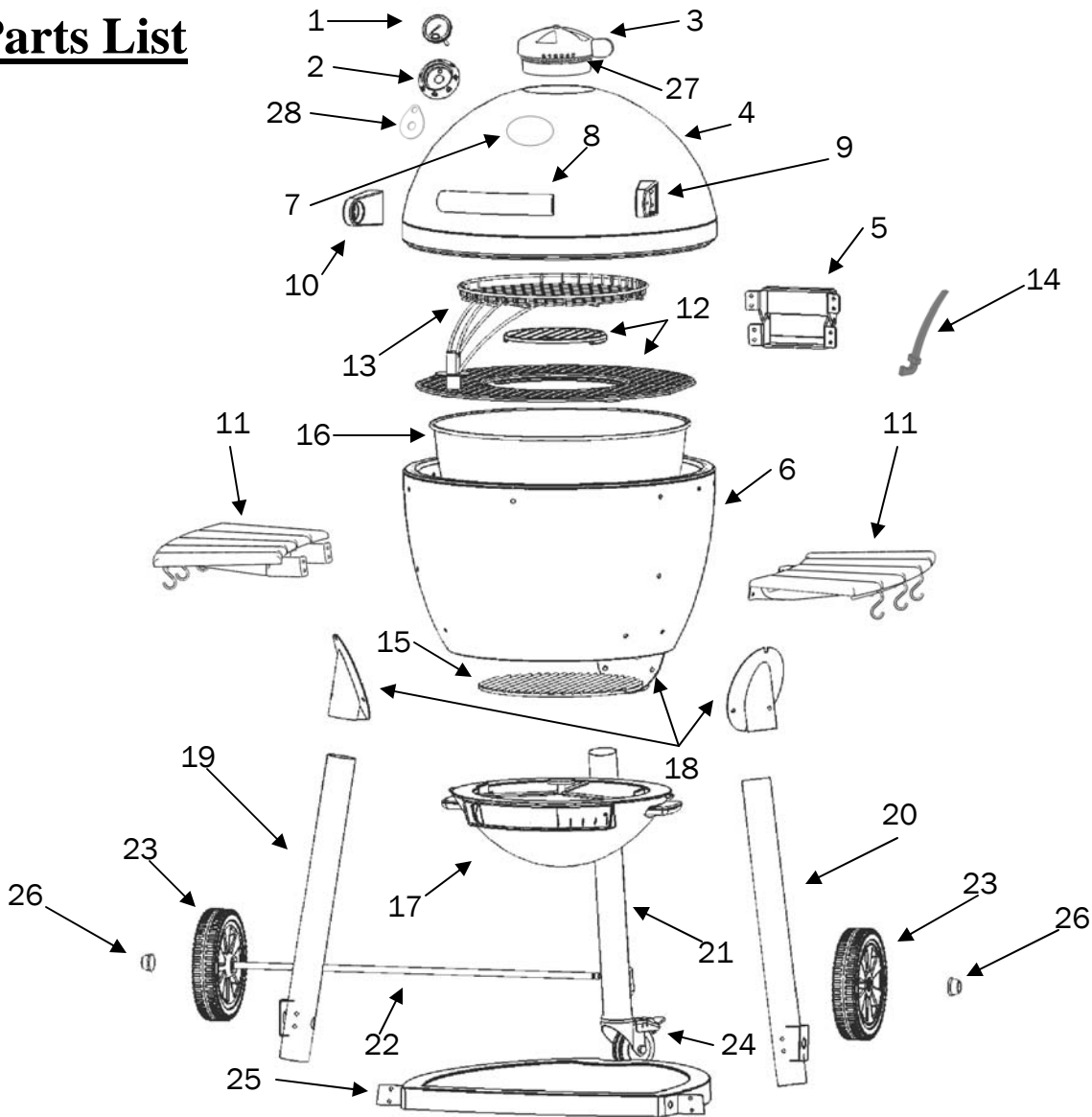
Proof of purchase, proof of purchase date, photo and prepaid return of the item in question may be required. Misuse, abuse, or commercial use nullifies all warranties. Paint/finish is not warranted. Products are not warranted against rust. Warranty applies to original purchaser only whose name appears on credit card, check, or receipt.

The warranty is for replacement of defective parts only. Manufacture will not be responsible for damage resulting from accident, alteration, misuse, abuse, hostile environments, improper installation, installation not in accordance with local codes of service of unit.

This limited warranty does not cover any scratches, dents, corrosion or discoloring by heat, abrasive and chemical cleaners nor any components used in the installation of the appliance.

Save your receipt for all warranty claims.

Parts List



Item	QTY.	Part Name	Part Number
1	1	THERMOMETER	55-0076
2	1	BEZEL	10-0305
3	1	STACK DAMPER	30-0073
4	1	HOOD	30-0074
5	1	HOOD HINGE	30-0075
6	1	GRILL BODY	30-0076
7	1	LOGO PLATE	10-0302
8	1	HOOD HANDLE	10-0303
9	1	RIGHT HANDLE BRACKET	10-0316
10	1	LEFT HANDLE BRACKET	10-0306
11	2	SIDE SHELF	30-0077
12	1	COOKING GRATE SET	30-0078
13	1	WARMING RACK	20-0041
14	1	GRATE LIFTER	10-0045

Item	QTY.	Part Name	Part Number
15	1	FIRE GRATE	20-0042
16	1	FIRE BOWL	20-1011
17	1	ASH PAN	30-0079
18	3	LEG BRACKET	20-0138
19	1	LEFT FRONT LEG	20-0139
20	1	RIGHT FRONT LEG	20-0140
21	1	REAR LEG	20-0137
22	1	AXLE	10-0048
23	2	WHEEL, 8 INCH	55-0006
24	1	WHEEL, 3 INCH CASTER	55-0011
25	1	BOTTOM SHELF	20-0141
26	2	HUB CAP	55-0007
27	1	O-RING	55-0101
28	1	THERMOMETER GASKET	55-1015



WARNING:

DO NOT OPERATE ABOVE 700 °F / 425 °C

CAUTION: Do not attempt to move grill unless the lid is latched, failing to do so may lead to damage or injury.

NOTICE: Read all operating and assembly instructions before attempting to use your grill.

NOTICE: Always have a fire extinguisher near at all times. Maintain and check your fire extinguisher regularly.

No Returns on Used Grills





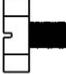



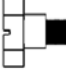



HARDWARE LIST AND TOOLS REQUIRED

(Tools Not Included)

7/16" nut driver



Hardware:

		1/4-20x1/2" HEX BOLT.....26 PCS		1/4" LOCK WASH-ER.....11 PCS	
		1/4-20x3/4" HEX BOLT WITH THREAD LOCKING COMPOUND.....4 PCS			1/4-20 HEX NUT.....4 PCS
		1/4-20 SHOULDER BOLT.....4 PCS		HAIR COTTER PIN.....2 PCS	
		2/5" FLAT WASHER.....2 PCS		UTENSIL HOOK.....6 PCS	

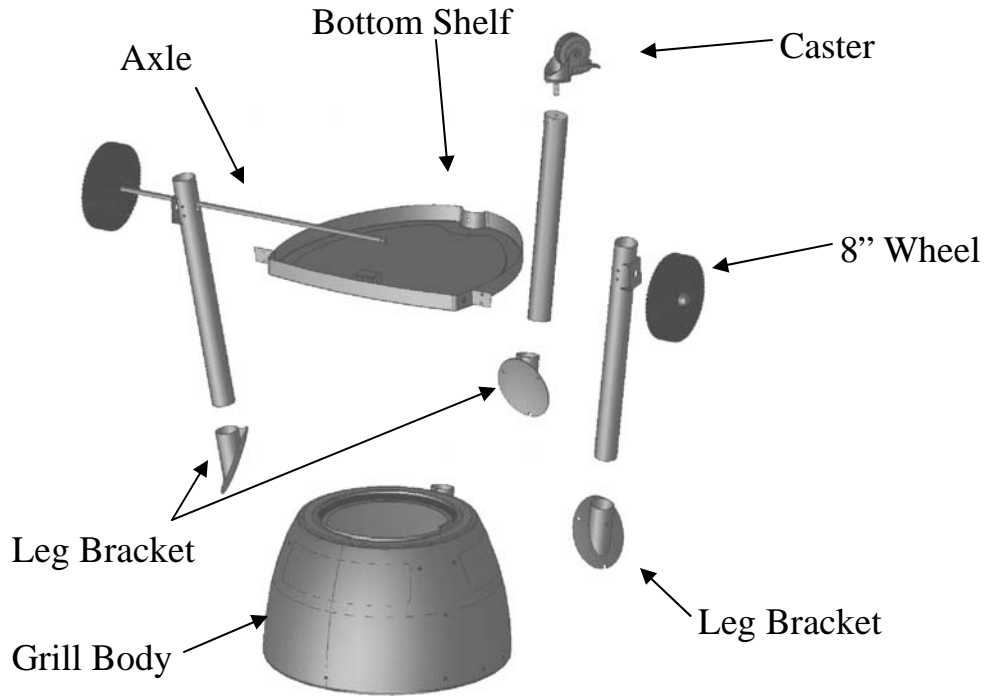
STOP! CALL  FIRST! DO NOT RETURN PRODUCT TO STORE.

CALL (912) 638-4724. This product has been built to the highest quality standards. Call us should you have any questions not addressed in these instructions, or for service information.

Have your grills serial number (located on the back of the grill body or on the leg) when calling.

Step 1

Place GRILL BODY upside down and install LEG BRACKETS with three (3) ½ inch hex bolts each. Next install LEGS (3) with two (2) ½ inch hex bolts and two 1/4 inch lock washers each into LEG BRACKETS, DO NOT Tighten Bolts Until After Step #3. Screw CASTER onto rear leg, lock CASTER before tightening. Make Sure the leg with the caster is in the back and wheel support braces on the front legs are facing outward.



Step 2

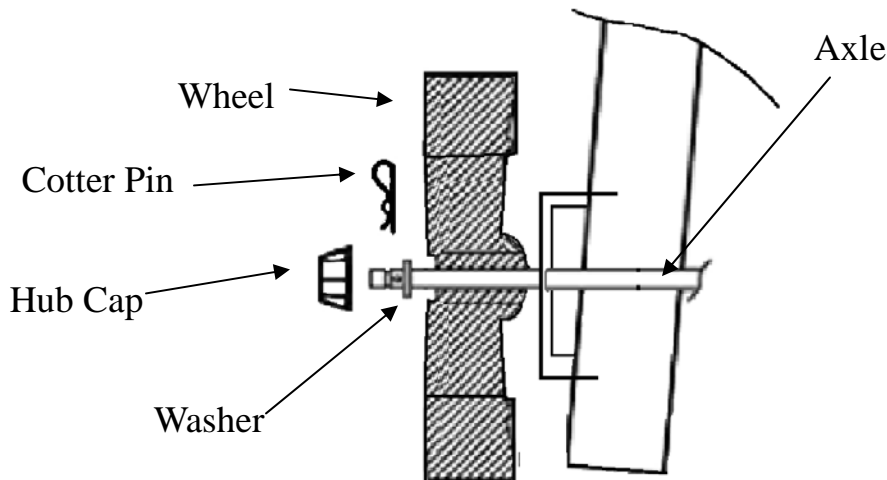
Attach BOTTOM SHELF to LEGS with five 1/2 inch hex bolts and lock washers.

Step 3

Insert AXLE through front LEGS and BOTTOM SHELF. Tighten all bolts.

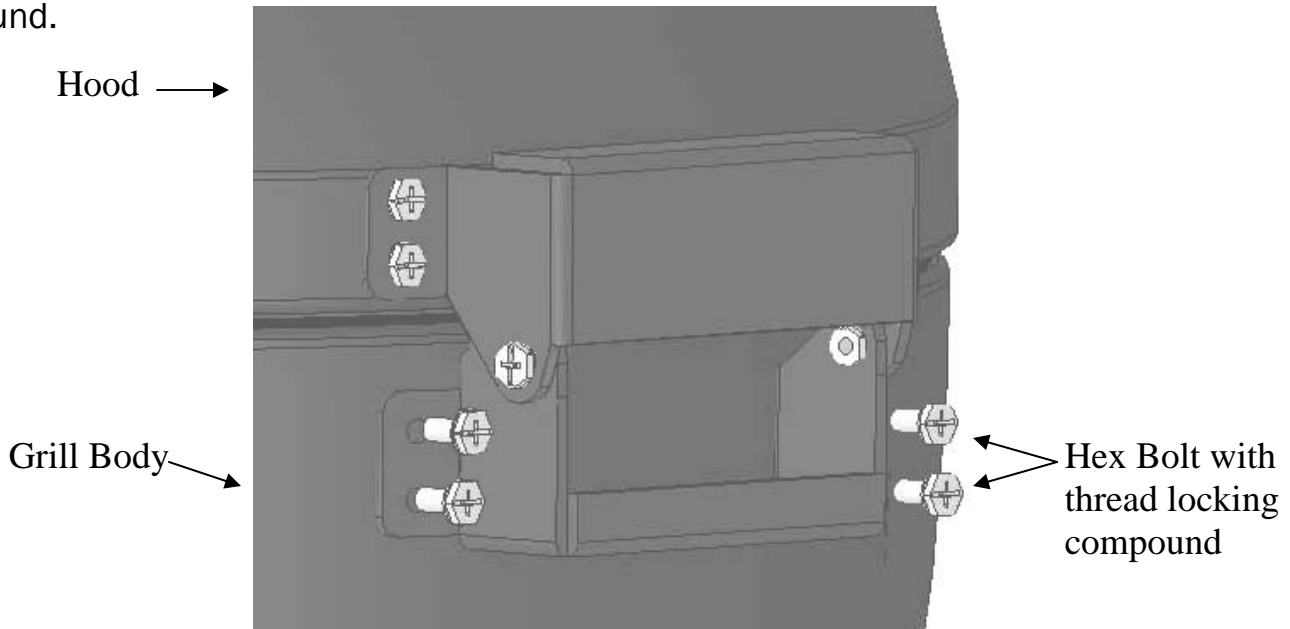
Step 4

Install one WASHER, COTTER PIN and HUB CAP onto the AXLE then slide the AXLE through WHEELS and legs as shown. Finish by attaching 2nd WASHER, COTTER PIN and HUB CAP.



Step 5

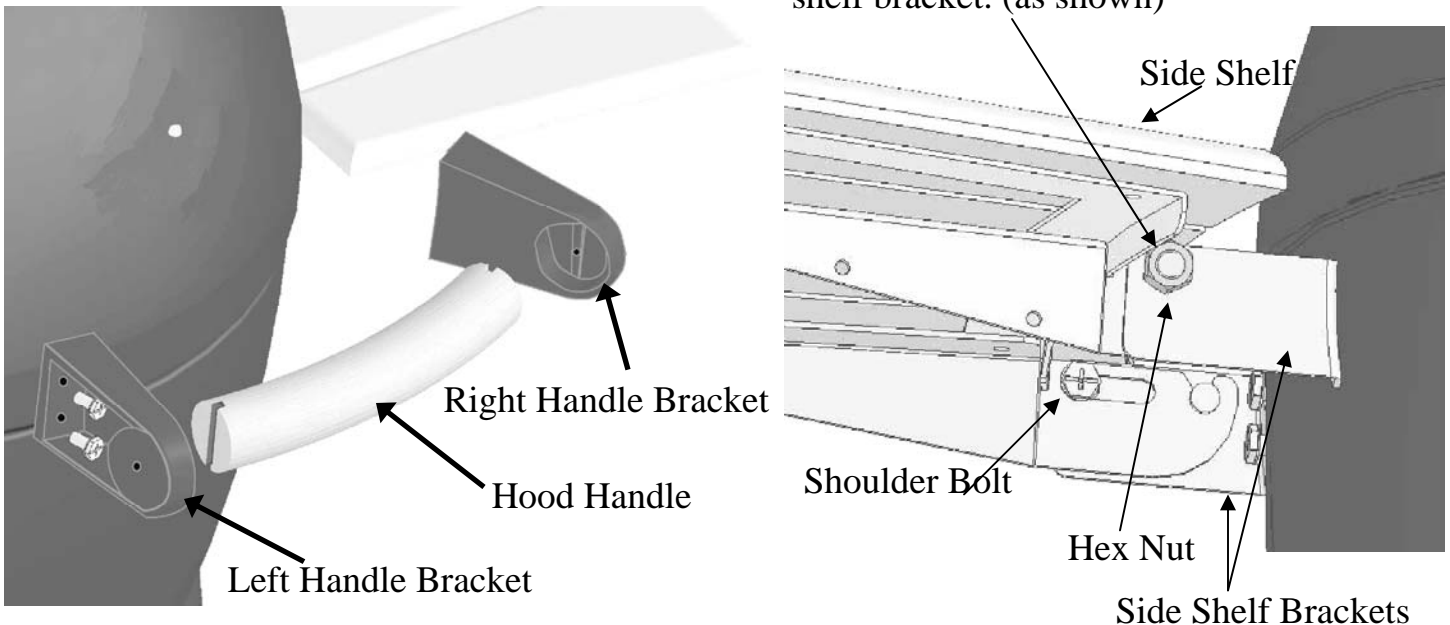
Turn grill upright, **LOCK CASTER** and place HOOD on the GRILL BODY. Attach hinge on back of HOOD to GRILL BODY using four (4) 3/4 inch hex bolts with thread locking compound.



Step 6

Attach FRONT HANDLE to HOOD with four (4) 1/2 inch hex bolts. First attach one HANDLE BRACKET to the Lid and then hold the HANDLE in place while attaching the other HANDLE BRACKET to the Lid. HANDLE BRACKETS are left and right handed.

NOTE: Install nuts towards outer side of shelf bracket. (as shown)



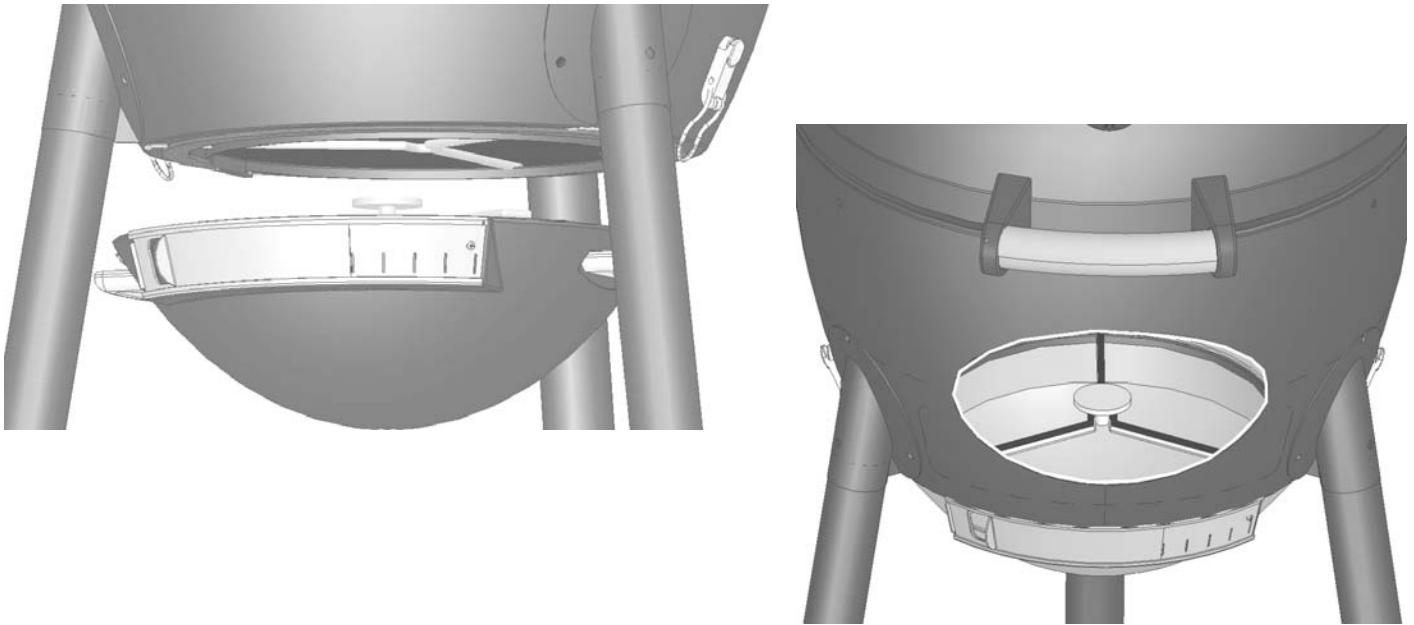
Step 7

Attach SIDE SHELVES to SIDE SHELF BRACKETS using two (2) shoulder bolts and two (2) hex nuts for each shelf.

NOTE: Always latch lid when lid is in the closed position, especially while moving.

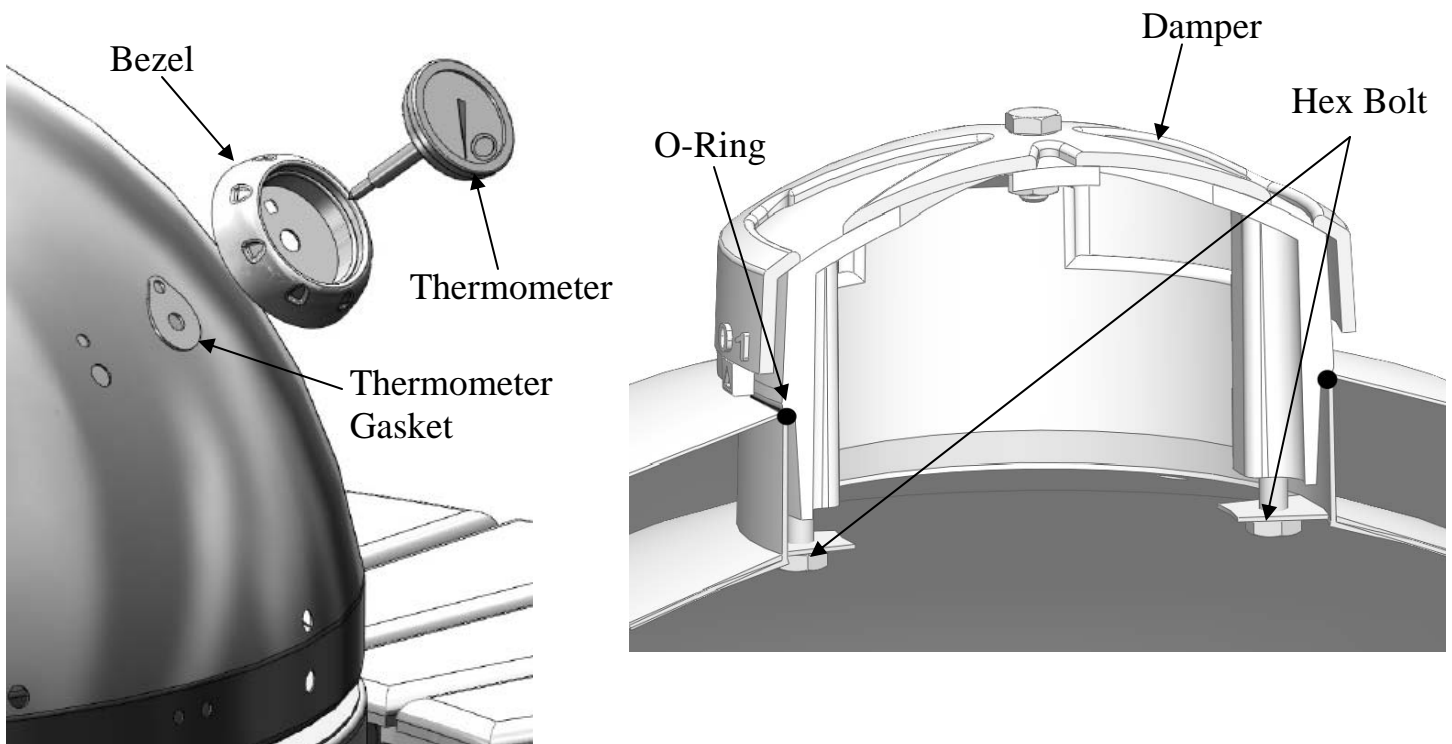
Step 8

To install ASH PAN, hold ASH PAN up against the bottom of the GRILL BODY from the front with the center pin on the inside. Slide the ASH PAN back and use clips on the sides of the grill to snap into position as shown.



Step 9

Position O-Ring on bottom of damper by rolling it up to the bead. With O-Ring in position, install DAMPER with two (2) 1/2 inch bolts from inside the HOOD. Damper coating will scratch with use. This does not affect the function or performance of the damper. Next, install THERMOMETER GASKET, THERMOMETER and BEZEL with wing nut, as shown below. Make sure to calibrate the thermometer first, see page 11.

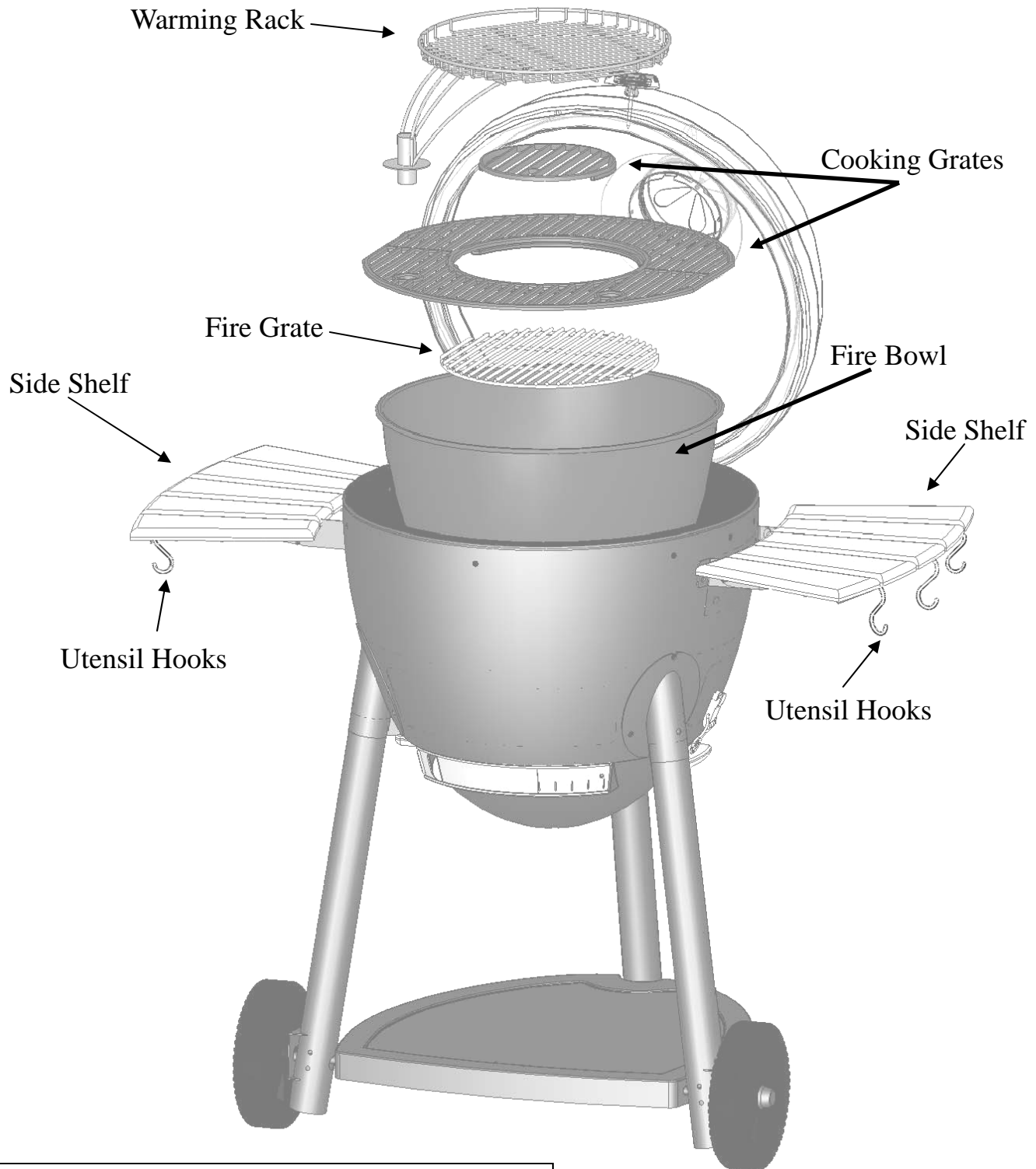


Step 10

Install: FIRE BOWL, FIRE GRATE, COOKING GRATES and WARMING RACK inside of the lower body.

Step 11

Attach six (6) UTENSIL HOOKS to the underside of the two side shelves (3 each). Use depressions in the wood as a starting point for screwing in the UTENSIL HOOKS.



Please Note: No Returns on Used Grills

GRILL PREPARATION & OPERATING INSTRUCTIONS

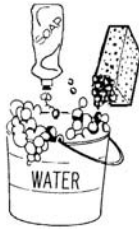
PLEASE NOTE: NO RETURNS ON USED GRILLS

Read all safety warnings and instructions carefully

Before assembling and operating your grill.

IMPORTANT! BEFORE YOU USE YOUR GRILL FOR THE FIRST TIME YOU MUST SEASON THE CAST IRON COOKING GRATE.

Seasoning Your Cast Iron Cooking Grate:



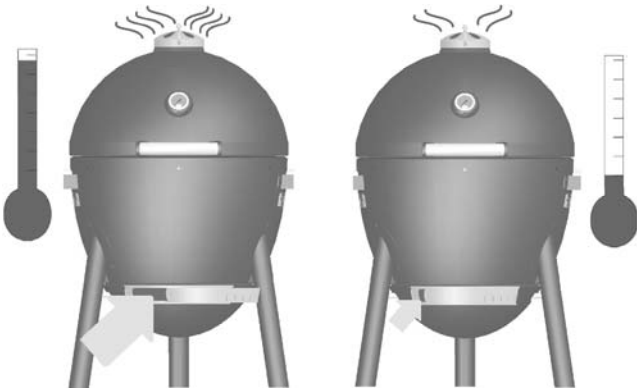
Before you use your grill it is important to season it, this will burn off coating used to protect your grill during shipping, help protect your cast iron grates from rusting and prepare it for use. First wash your cooking grates in warm soapy water. Rinse thoroughly and dry completely with a towel. **DO NOT AIR DRY. NEVER PUT YOUR COOKING GRATE OR ANY PART OF YOUR GRILL IN YOUR DISHWASHER.**

Once your cooking grate is dry apply a coating of vegetable oil or shortening to your cooking grate, be sure to coat both sides thoroughly. To finish seasoning your grill start a fire in your grill, we recommend using **Lump Charcoal**, Heat your grill to 400 °F for an hour, this will burn off any chemical residues left from shipping and manufacturing and season your cooking grate. Seasoning should be done periodically to lengthen the life of your cooking grate.

TIP: Clean grates while warm using gloves and a baseball sized aluminum foil ball.

Lighting Your Grill:

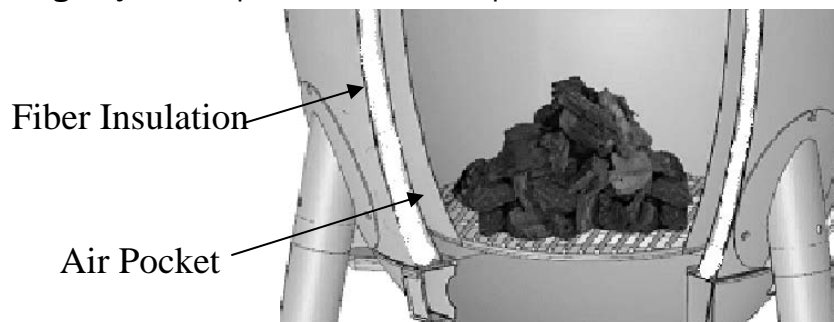
Note: we recommend using **Lump Charcoal** because they contain no additives or fillers. This makes for more efficient burning, less ash than charcoal briquettes and much better tasting food.



More air flow means more heat.

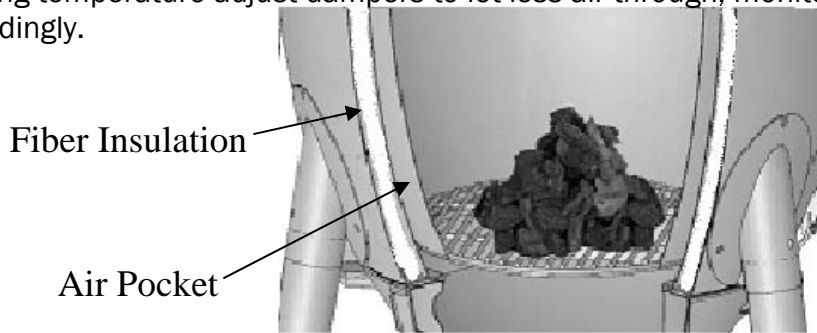
For Regular use:

Make a pyramid of **Lump Charcoal** in the center of the fire grate 1.5–2 lbs. **Lump Charcoal** (about the weight of two 12 oz sodas.) Light using fire starters or a charcoal chimney starter. **WE RECOMMEND NOT TO USE LIGHTER FLUIDS.** Leave LID open until the coals are lit and there is no black smoke coming from the coals, Smoke should be clear/white and there should be no flames coming off the coals. Starter sticks (we recommend starter sticks with no kerosene, fats, or scents) should be completely burned before you begin cooking. Adjust dampers to control temperature. More air flow means more heat.



For lower temperature (250 °F and below), long duration grilling and smoking:

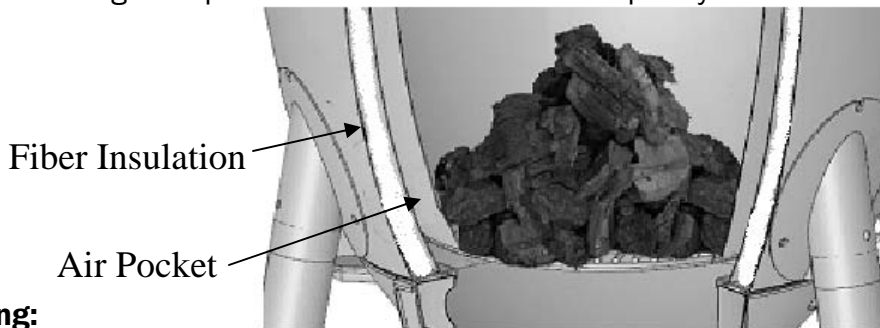
Use approximately 1lb. of mostly computer mouse or larger sized pieces of **Lump Charcoal** to build a fire in the center of the fire grate. Start fire as described above. Once the fire has reached your desired cooking temperature adjust dampers to let less air through, monitor your grill temperature and adjust accordingly.



TIP: It is easier to raise the temperature than to lower it. As you start to raise your cooking temperature, begin closing dampers to ease into desired temperature.

For High temperature grilling (650 °F and above):

Use mostly smaller pieces of **Lump Charcoal**, golf ball sized, and more than you would normally use for regular grilling (2–3 lbs. **Lump Charcoal**). After you start a fire as described above leave damper open to maintain a high temperature. Coals will burn more quickly and more can be added by using the removable center fire grate.



CAUTION: Use extreme care when opening hood at high temperatures. Flashback can occur. Slightly open hood, then pause before slowly opening fully.

For Smoking:

Follow instructions for lower temperature cooking (250 °F and below). Pre soak wood chips or chunks. Soak wood chips for 35 minutes. Soak chunks for 1 hour and 30 minutes, or until wood is completely saturated, After grill has reached desired temperature, sprinkle two handfuls of soaked wood chips or chunks over the lit charcoals. Let the chips begin to smoke by closing the lid. You can begin cooking after a few minutes. More soaked chips may be added to the fire later if necessary,

Heat Gauge:

This heat gauge is accurate to +/- 10% of the actual temperature. We suggest verifying this with your oven. If you require more precise temperature control, the use of a meat thermometer is recommended.

When you are finished grilling:

After your are finished grilling you can shut down your grill by closing both dampers and allowing the fire to suffocate.

Emptying the Ashes: ONLY EMPTY ASHES WHILE GRILL IS NOT IS USE.

After the fire is completely extinguished wait several hours before emptying the ashes to be sure they are not still hot. Knock any ashes that did not fall into the ash pan from the fire grate. (if there are pieces of partially burned charcoal on the fire grate you can save them for next time, they are still good). Tap the sides of the fire bowl to knock loose any ash that is on the sides. Unclip the ash pan from the bottom of the grill and slide out towards the front. Give the ash pan a few firm taps to loosen any ash that may be stuck. Place the ashes in a metal container and cover with water to ensure there are no lit coals then you can dispose of the ashes. Charcoal is porous and holds moisture, DO NOT leave charcoal in your grill while you are not using it as charcoal or ashes left, especially outside, may reduce the life of your grill.

We encourage you to search the internet for more information about Kamado style cooking.



"BIG RED"™ Kamado Kooker

Visit www.CharGriller.com For Pricing



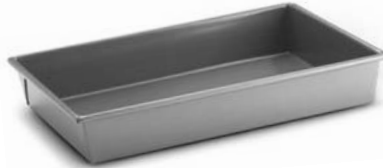
GRILL COVER #6655
Custom Fit
Weather Resistant



SMOKIN' STONE™ #6201
Circulates air around meat & protects meat from direct flame and heat
Enhances tastes and tenderness



PIZZA STONE ~15" #6202
Use as a baking stone

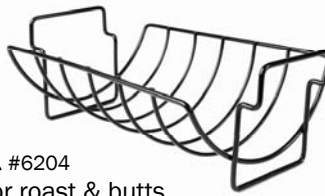
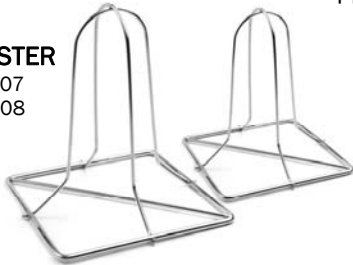


DRIP PAN #6205
Catch drippings & holds liquid flavors
For extra taste



APRON #8805
2 Pockets
Adjustable

POULTRY ROASTER
TURKEY # 6207
CHICKEN #6208



U-RACK #6204
Upright for roast & butts
Upside down for ribs



REMOTE THERMOMETER # 6206
Monitor temperatures of both meat and smoking chamber up to 572 °F. (Withstands up to 695 °F)
Check the meat and smoking chamber temperatures from inside the house - up to 300 feet away



WOK KOOKER # 6203

For Pricing or to Order, Visit:
www.CharGriller.com
or
CALL: 912-638-4724
or
FAX: 912-638-2580
or **MAIL:**
P.O. Box 30864
Sea Island, GA 31561



Visit our online store at:
www.CharGriller.com
for more Char-Griller®
Professional Accessories™

Name _____
Street Address _____
City / State / Zip _____
Telephone _____
Email _____

Please bill my credit card: VISA M/C

Expiration Date Check or Money Order (Sorry—No C.O.D.s)
Check orders will be held 2 weeks before shipment

SHIPPING CHARGES FOR ACCES.		
Orders up to \$25	\$9.95	\$16.95
\$25 to \$50	\$12.95	\$23.95
		\$28.95

Prices & policies subject to change. 15% Restocking Fee on all returns
No Returns on Used Product. Please visit our website for updated
Pricing and Product Availability.

Georgia Customers add a 7% sales tax.
Washington State Customers add a 10% sales tax

Qty.	Product	Price
	Smokin' Stone	
	Pizza Stone	
	WOK Kooker	
	U-Rack	
	Drip Pan	
	Remote Thermometer	
	Poultry Roaster (Chicken)	
	Poultry Roaster (Turkey)	
	Grill Cover	
	Apron	
	Shipping Charge	
	Total	

**“BIG RED”™
Kamado Cooker**

RECIPES - GRILLING & SMOKING TIPS

Compare Features with Ceramic or any Cooker

- Larger Grilling Area
- Lighter Weight
- More Durable
- Triple Wall & Insulated
- Ash Pan - easy cleaning
- Legs w/wheels
- Shelves
- Porcelain Coated Interior
- Cooler Surface
than standard grills
- Easy Forgiving Grill
- Constant even Temp
- Cooks @ 700° to 250°F

Char-Griller® through new innovative technology offers these many features and insulated heat with less air flow, which gives more flavor and juicier meats. The easiest and best grilling method ever offered.

More you use your BIG RED™, the more fuel you have for cooking times and amount of charcoal.

Char-Griller® offers SMOKING ACCESSORIES to enhance smoking pleasures:

- Smokin' Stone™ • Pizza Baking Stone • Drip Pan • Meat Racks • Wok Cooker • Remote Thermometer
(all described under smoking)

More Kamado style recipes, rubs and marinades: www.scribd.com/doc/4561485
www.greenegggrilling.com/blog/ www.nibblemethis.com www.CharGriller.com

**General Rules for all
GRILLING & SMOKING
Methods & Foods**

- Leave grill Lid down while cooking to eliminate flare ups & to give even cooking
- Add wood chips for flavor. When smoking, soak chips for 40 mins.
- Meat Thermometer gives internal temperatures for rare, medium or well done. Insert probe into thickest part of meat. Suggest thermometer with wire running from the probe thru top damper (wireless & alarm available) so not necessary to open lid to read meat temp.
- Over cooking causes the meat to dry out
- Damper adjustments lowers or raises heat according to food or cooking method. Easy temp control: Leave bottom Damper open & adjust top Damper. ¼" top Damper adjustment can mean 25°F change.
- To lower Dome temp: Close both dampers & open lid intermittently to release hot air. Could hand spray little water on coals.
- LUMP CHARCOAL is recommended as fuel because it lights faster, burns hotter, cleaner, adds flavor, less ash clean up, last longer 18 to 24 hrs and uses less charcoal than briquette.
- Do not use Lighter Fluid, but use an electric starter or fire starters. No after taste.
- When cooking at high temperature, open Lid slowly or open top damper 10 seconds before opening to avoid fireball or flash back.
- Bring meats to room temp before cooking.
- When Smoking, in addition to these Tips, follow “Grill Set- Up for Smoking” under Smoking Section

GRILLING RECIPES

GRILLING (direct heat above coals)

STEAKS: First trim excess fat and apply dry rub to both sides of Steaks.

- Sear 1 ½ inch Steaks on the BIG RED™ directly over the coals for 2 or 3 minutes at 650° F.
- Flip the Steaks and grill for another 2 or 3 minutes.
- Flip Steaks again and shut both top and bottom dampers and let Steaks remain on grill for another 3 or 4 minutes before removing.
- Internal meat temperatures: 145° F - Med Rare; 160° F -Med; 170° F -Well Done.

Dry rub (per steak): Mix 1/8 cup kosher salt, ¼ tsp white pepper, 1/8 tsp cayenne pepper, 1 tsp black pepper and apply to both sides. Or Marinate steaks in glass pan with mixture of: ½ cup olive oil, 1/3 cup soy sauce, ¼ cup wine vinegar, 2 tsp lemon juice, 1 tsp dry mustard, 1 minced garlic clove, small minced onion, ¼ tsp pepper for 3 hrs in refrigerator.

BURGERS: Grill ½ lb Burgers exactly the same as Steaks except grill for 2 minutes before each flip. Before grilling, mix Burgers with Meat Magic, Worcestershire sauce, ketchup, kosher salt, ground pepper, chopped onions & let sit for 20 minutes at room temperature.

MEAT MARINADE: For steaks, chops, and burgers: Combine 1 cup soy sauce, 2 coarsely chopped large onions, and 2 cloves garlic (halved) in an electric blender; cover, process at high speed 1 minute or until mixture is smooth. Stir in ¼ cup bottle gravy coloring (Kitchen Bouquet & Gravy Master) and 2 tsp Beau Monde seasoning (or substitute 1tsp MSG & 1tsp seasoned salt). Marinate meat at room temp for 2 hrs or refrigerate up to 24 hrs in a covered dish. Bring meat to room temp before cooking.

RACK of LAMB: A typical rack of lamb is 8 bones and weighs 1 1/2 to 2 pounds. A single rack of lamb is perfect for two people. A big investment, but a fantastic meal. Bottom end has a thick, round piece of meat, which on the rack is like a long, thin roast. Once cut it is like a small pork chop. Ask butcher remove the thin skin from outside of the rack & cut off the chine bone to make easier to carve.

Preparation:

- Wrap bare long bones sticking up from rack with foil (to avoid crusting). Do not overcook or cook at too high a temperature because these bones can burn and crumble. Keep the bones up, away from the fire by placing in a “U” Rack.
- Remove loose pieces of fat. Dry with paper towel & season with mustard, salt, pepper & garlic
- Sear lamb quickly over hot fire at 500° F for 3 mins per side then drop heat and/or move the rack to a cooler part of the grill to let center roast. Creates perfect caramelized crust and keeps center tender and juicy.
- Close BIG RED's™ lid and let sit for another 5 minutes. Test internal temperature as you go. Do not overcook. Lamb is rare at 120° F; medium 150° F
- Remove from BIG RED™ and tent under foil for 10 mins before carving. Allow the rack to gain a couple of degrees after you remove it from the grill. It will continue to cook on the inside

To carve the rack of lamb, stand it up on the meat side with the bones curving away from you. Slide a sharp knife down, between the bones cutting gently through the meat. You should be able to see the bones all the way down along the back side of the rack.

GRILLING RECIPES

PORK CHOPS:

Ingredients

- 4 Pork Chops; 1 – 1.3” thick pork chops
- Marinade (olive oil, salt, and pepper, or use Dizzy Pig BBQ Rub and garlic)

Preparation

- sear at very high temperature (steak temp) for 90 seconds per side
- put on a side plate and let sit for 15-20 minutes
- return to BIG RED™. Dome temp should be around 400 – 450° F
- cook 5 minutes per side
- internal chop temp should be 150 degrees max

CHICKEN: Requires slower grilling.

- First, cut and remove the center bone from the chicken.
- Flatten the breast by pressing flat until the cartilage is broken.
- Rub olive oil over the chicken and sprinkle thyme, parsley, sage, rosemary, salt & pepper.
- Grill with skin side down for approximately 17 minutes at 350° F or until skin is crispy;
- Flip and grill for approximately 28 minutes or until internal chicken temperature is 160° F.

CHICKEN MARINADE: Combine ½ cup soy sauce, ¼ cup vegetable oil, ¼ cup red wine vinegar, 1 tsp oregano, ½ tsp sweet basil, ½ tsp garlic powder w/ parsley, ¼ tsp pepper. Pour over chicken pieces in glass dish. Cover and refrigerate overnight. Use marinade to baste chicken while cooking

CEDAR PLANK SALMON:

Ingredients

Fresh salmon Dizzy pig BBQ rub Lemon juice Olive oil

Preparation

Soak planks for 3-4 hrs before cook. Rub salmon with olive oil, dizzy pig raging rub & lemon.

Prepare BIG RED™ at 425°

Place plank on grill. Once it starts ‘crackling,’ Place salmon on grill (around 5 minutes)

For thick salmon filets, estimate about 10 - 13 minutes for the fish to start ‘flaking’. .. it will still be a tad underdone in the center. Go 15 - 20 minute if you want it done all the way through

HOT DOGS: Grill at 275° F for about 20-30 minutes. Turn them every 5 minutes to achieve a even golden brown and remove when they start to split.

SHRIMP (peeled) & CRAYFISH: Place on skewers, coat with melted butter and garlic salt. Grill for 4 minutes on each side or until pink. Cocktail sauce optional.

BAKED POTATOES: Rub with butter and wrap in foil and grill with lid down for 50 minutes. Turn after 25 minutes (no need to turn if smoked). Squeeze to check for doneness.

CORN (sweet) ON COB: Soak in water for 1 hour & grill at 325° F for 28 to 32 min turning often.

- Trim loose silk from the end of the cobs, leave husk on and put on grill.
- Or, pull husk back, remove silk, apply butter & sprinkle commercial rub. Pull husk back over cob and tie top with piece of husk. Grill as above. When finished, husk will twist off.

GRILLING RECIPES

WOKKED VEGETABLES: Use a grill “WOK Kooker” with small holes.

A favorite combo of veggies is asparagus, mushrooms, sweet onions & pineapple, but other combos work great also. Green beans, red peppers, onions, zucchini is one more example. Possibilities vast, unlimited to imagination. Mushrooms, sweet onions & pineapple add a lot.

Slice veggies and put in large bowl for 30 minutes prior to cooking. Then in a small bowl mix up seasonings. Again let imagination run wild. Important to use oil in the mix to “coat” the veggies

Mix 2 TBS of each of the following: soy sauce, peanut oil, fish sauce & wine; also mix in 1 tsp of each of the following: garlic (powder or fresh), sugar, favorite rub, lime juice, olive oil pepper. Pour mixture over veggies and mix in with your hands. Let sit 15-30 minutes. Any longer the salt will take the moisture out of the veggies and they shrink.

Start coals and bring Dome temp between 500 - 600° F. Open lid carefully at high Temp.

Place empty Wok Kooker (sprayed with oil) on cooking grate directly above coals & close Lid

After 1 min, dump veggies into Wok. Makes a sizzling noise. Spread out veggies & close Lid

After 2 or 3 minutes, open and stir well. Should see hint of browning.

Close Lid, wait 2 or 3 mins before stirring again. Repeat process until it has a crunch taste.

Cooking in a regular Wok is good and you end up with plenty of juices, but it is not the same. There is something special about the effect high heat, open coals and smoke have.

SMOKING

(Indirect Heat w/ optional Smokin' Stone™)

Combination of thick triple walls & insulation provides ideal insulation for long, slow cooking that tenderizes all meats. BIG RED™ retains temperature for many hours. Cooking slowly at low temperature for hours is key to great smoking. Smokin' Stone™ turns BIG RED™ into Convection Oven.

Grill Set-Up

for All “SMOKING” Methods & Foods

- Smoke long and slow in the 200° to 350° F range
- Adjust the Dampers for desired temperature
- Lump Charcoal: (preferred over briquettes) Put several layers in firebox with soaked hickory chips (soak 40 min to 3 hrs) mixed in or on top of coals for a wood smoke flavor to the meat. Use less Lump Charcoal than you would Briquettes. For slow cooking, (250 to 350°) build small fire and light with Fire Starter at top of the charcoal pile. Light charcoal pile at bottom for high temp fires. Easy to heat up, harder to bring down.
- Bring meat to room temp before cooking and use Meat Thermometer to know when done.
- Also follow all rules above under “General Rules for all Grilling & Smoking”

SMOKING RECIPES

SMOKING ACCESSORIES and their Use:

SMOKIN' STONE™: (sold separately) (heat diffuser for indirect cooking) (sits 2¾" under Cooking Grate on top of Fire Bowl) Circulates air around meat & protects meat from direct flame & heat.

Set-Up grill for smoking in one of the following combinations using Smokin' Stone™, Drip Pan & Meat Racks.



Drip Pan & Meat Rack on Cooking Grate



Drip Pan on Smokin' Stone™



Drip Pan & Meat Rack on Smokin' Stone™
*Good for Large Turkey

Smokin' Stone™ can be a Pizza Stone or Pizza Stone can be a Smokin' Stone™.

PIZZA BAKING STONE: (sold separately) 15" round stone. Place on Smokin' Stone™ or Cooking Grate when cooking; Use with or without Smokin' Stone™ according to cooking method.

Pizza Stone can be used as a Smokin' Stone™ when placed on Cooking Grate; with Drip Pan on top of Pizza Stone; then with Meat & Meat Rack placed inside of Drip Pan;



Pizza Stone used as Smokin' Stone™

DRIP PAN: (sold separately) Place under Cooking Grate & on top of the Smokin' Stone™ (directly under meat) to catch the drippings to add flavor.

Or, place Drip Pan on top of Cooking Grate with the Meat Rack placed in the Drip Pan. Add apple juice or beer to Drip Pan if desired.

MEAT RACKS: (sold separately) "U" Rack for roast, ribs or butt; Cone Wire Rack for turkey or chicken. Turn "U" Rack upside down to hold certain meats.

WOK KOOKER: (sold separately) APPROX 11" DIA. WITH HOLES - IDEAL FOR VEGGIES

Smoking without SMOKIN' STONE™ or Pizza Stone: Place Drip Pan on top of Cooking Grate with Meat & Meat Rack placed inside Drip Pan.

SMOKING RECIPES

PORK BUTT or VENISON: (set-up grill for smoking; see above) (bone in – 6/9 lbs):

Work the rub into the butt until it is moist. Wrap in saran and place in refrigerator for 3 to 5 hours. Cook the butt for 18 hours at 235° F or when internal meat temperature reaches 200° F. Remove & double wrap in foil and let sit 30 minutes before pulling apart.

Rub: 1 cup commercial dry BBQ rub and/or deeply inject seasoning of your choice.

SMOKING RECIPES

RACK of BABY BACK RIBS: (set-up grill for smoking; see above)

First remove membrane by placing the tip of a meat thermometer between the membrane and a bone near the end of the rack of ribs. Work membrane loose and peel it off. Then wash them.

- Apply the rub to all sides and let stand at room temperature for 30 minutes.
- Smoke for 1½ hr at 325° F.
- Remove and brush all sides with honey BBQ sauce.
- Put rib rack in foil pan with 1" apple juice. Cover with foil & cook 1 hr at 325° F or until Pork's internal meat temp is: Med 160° F; Well Done 170° F; Insert tooth picks to test tenderness.
- Remove and serve. To serve later, wrap & re-refrig, To serve, re-brush honey BBQ sauce & warm

Rub: cup each of dry BBQ rub & honey, 1 ½ cup apple juice and 2 cups honey BBQ sauce.

RIBS - Low & Slow: (set-up grill for smoking; see above) *Some prefer direct heat for thicker bark.*

The following ribs will have texture and 'bark' to them. For other hints, visit www.nakedwhiz.com

Ingredients: Baby Back Ribs (preferred over side ribs); Mustard and favorite rub; "U" shaped Rib rack

Preparation: Use Smokin' Stone™ for indirect heat

- Remove membrane (or have butcher remove). Pliers & grabbing it with a paper towel helps.
- Rub generously with mustard and favorite rub
- Stabilize the BIG RED™ to 250° (both vents almost closed)
- With The BIG RED™ temp stabilized, Cook ribs for five hours.
- Apply favorite hickory sauce if after five hours, the rub has not formed a nice crust and the meat has not pulled back about an inch on the bone.
- After 5½ hrs, If rib pulls off easily when twisted, they are done. Or cook 15 mins or done.

RIB ROAST: (set-up grill for smoking; see above)

Preparation Directions:

- Place 4 lb standing Rib Roast in casserole dish. Rub seasonings to entire roast (as listed)
- 1 TBS paprika, 3 TBS crushed garlic, 2 TBS Worcestershire & 2 tsp Adolph's tenderizer.
- Apply salt & pepper to suit your tastes.
- Set roast aside in V rack.
- In casserole dish, mix 1 cup rock salt, 1 TBS flour, one egg wht, 1 TBS water to tacky paste.
- Place roast back in casserole dish and press the salt/flour mixture on to the roast surface. Continue to do so until the entire roast surface is covered with the salt/flour mix.

Note: Use cheese cloth to hold the salt to the surface of the roast if desired.

Cooking Directions:

- Over a drip pan with no water, place roast in to roasting rack
- Cook roast 15 minutes per pound at 500 to 525° F for medium rare
- Put Meat Thermometer in roast last 30 mins cooking: 145° rare; 160° med; 175° well done
- When cooking is done, remove roast and allow it to sit uncovered for 10 minutes
- Let roast set for 10 mins, break shell of salt away from roast & remove. Salt will be brittle and may have to scraped from meat surface. Let roast sit another 5 mins, slice and serve.

Au Jus Sauce:

- In 10" skillet or shallow pan place 4 to 6 small chunks of roast along with 3 to 4 TBS water.
- Stir & heat over med heat until water becomes dark & viscous from the chunks of roast.
- Add 1 to 2 cups of water and increase heat under pan.
- When water just starts to boil, add 2 teaspoons of beef bullion crystals.
- Stir until crystals are completely dissolved.
- Remove from heat, strain to remove any chunks of roast used for flavoring and serve.

SMOKING RECIPES

PRIME RIBS: (bone in) (set-up grill for smoking) *smaller end often juicier (2 bones = 4 people)*

Ingredients: mustard, garlic, BBQ rub

Preparation

- Season prime rib with garlic, pepper, BBQ rub, and wrap in plastic & let sit for at least 1 hr.
- Place drip pan below to catch drippings
- Sear the outside for a crust or others prefer to cook at 350° for 3 hours for 8 lb prime rib (use a wireless thermometer)
- Remove before the prime rib is cooked, tent in foil and let sit for 10 minutes.

TURKEY or WHOLE CHICKEN: (set-up grill for smoking; see above)

- Place Bird vertically (up right) on cone wire rack (in Drip Pan) placed directly on Smokin' Stone™ (w/o cooking Grate) or on Cooking Grate. Can lay bird horizontal in "U" Meat Rack.
- Apply commercial dry rub, salt and pepper on entire bird and under the skin at neck
- Place drip pan on Smokin' Stone™ (under Fire Grate) filled with 2 cups chicken broth, wine, water, celery & onion.
- Cook approx 12 minutes per lb at 325° F until internal meat temp (in breast) is 160° F.
- Use drippings in the Drip Pan to make gravy. Use up to a 18 lb Turkey or 8 lb Chicken.
- Carve turkey while on rack. DELICIOUS! (use meat thermometer to know when done)

Follow General Rules for GRILLING & SMOKING and BIG RED's™ set-up for SMOKING

GRILLED PORK CHOPS: (set-up grill for smoking; see above)

- Marinate for 2 two hours (4) pork chops (1.5–1.75 inches thick; approx 1 lb each) in 1 cup orange juice, 4 TBS jerk sauce and 2 jiggers rum.
- Smoke chops at 275° F until internal meat temp is 135° F. Remove from grill & cover in foil
- Increase heat in the grill to 600° F
- Dust the chops with Char Crust original hickory and grill for approx 1 minute per side to give grill marks and to crisp the fat.

APPLE STUFFED BBQ PORK ROAST: (set-up grill for smoking; see above) (5 lb pork tenderloin or loin roast) Wash roast & pat dry.

- Cut pockets all around the roast and insert slices of 2 tart apples through the length of the roast. Score roast & rub Tony Chachere's® Creole Seasoning generously.
- In a bowl, combine ½ cup Creole or spicy brown prepared mustard, 1 cup chopped walnuts and 1/8 cup tequila. Work into a paste and coat roast. Cover and chill overnight. Remove covered roast from refrigerator and let warm to room temperature.
- Place 2 cups of soaked (overnight, in sealable container, in 7/8 cup tequila) hickory or apple wood chips on Lump Charcoal.
- Cook roast for 2 hours at 350° F or until internal meat temperature is 160° F with Drip Pan under Cooking Grate on the Smoking' Stone to catch drippings.
- Remove and cover immediately with foil to keep heat and moisture in.

Sauce: In a sauce pan, mix drippings from roast, 2 cups half & half cream, 1 cup cream sherry, 1 TBS mustard & 2 TBS Toney Chachere's Roux & Gravy Mix. Bring to boil, stir constantly to avoid burning and sticking. Reduce heat and simmer 5 minutes. To serve, cut slices of roast at an angle about ¾ inch thick to expose apples. Ladle sauce over roast. (10-12 serving)

SMOKING RECIPES

DOUBLE SMOKED HAM: (set-up grill for smoking - see above) Indirect heat, low/slow cooking)

A fully cooked Ham or partially cooked ½ shank variety or shoulder variety (water added can be used, if it does not exceed 23% water added product. Pre-smoked with hickory works best.

Update: Use full shank ham if you want. Uncooked ham works well too. Don't limit yourself to ham

Glazing Sauce:

- Blend ingredients in sauce pan with wire whip. Heat slightly into viscous, thick sauce.
 - ½ cup brown sugar
 - ¼ cup maple syrup (use dark grade B real maple syrup if available)
 - ¼ cup honey
 - 2 Tbsp cider vinegar
 - 1 – 2 Tbsp Worcestershire sauce
 - 2 Tbsp instant coffee granules (use a good brand because it makes a difference)
 - 1 Tbsp dry ground mustard
 - 2 Tbsp orange juice concentrate (a good brand provides better flavor)
- Score skin of ham ½” deep in crisscross diamond pattern to allow glazing sauce to penetrate ham. Place ham (un-glazed) into a shallow roasting pan or roasting rack. Add pineapple and cherries if desired on the outside when starting glazing process. Do not tent.
- Place water soaked hickory or pecan chunks on coals 5 mins before putting ham on allows max smoke flavor. This is the second cook cycle, the first being the one the processor used. If more smoke flavor is desired, place ham in freezer for 1 to 1 ½ hrs prior to cooking to allow outer edges to start to freeze. Go easy on procedure; don't want ham frozen hard!
- Use a drip pan filled ¾ full when cooking, filled with 50/50 mix of water & orange juice.
- Cook @ 275° - 300° for 25 to 30 mins per lb. Baste with glazing sauce last hr of cooking time. Continue cooking until ham reaches a max 140° internal temp. Do not overcook.
- Remove & allow to sit covered for 20-30 mins before carving. Internal temp will continue to climb to 145° after removing from BIG RED™. This way, ham will retain moistness and flavor.

Blog Update: Remove ham from grill at 135° internal, even if an "uncooked" ham. 135° internal will carry the ham to 145° internal while it rest double wrapped in heavy duty foil for an hour or so. Seals juices in and keeps ham from starting to dry out during resting period. Start cooking at 225°. Let it creep to 250° to 260°. The 275° suggested temp is a bit too high, in my opinion. Spiral cut ham dries out easily.

Baste ham with glazing sauce every 10 to 15 mins during the last hr of cooking time. Glazing compound will burn, start glazing the ham at 120° and will only have to apply glaze twice at 30 min intervals. Then you won't lose cooking time trying to apply it every 15 mins. Two applications of glaze will do if you get it into the cut areas. Secret is plenty of smoke and real maple syrup & granular coffee crystals in the glazing sauce.

SWEET KISS of DEATH INJECTABLE HAM MARINADE: takes the ham up 3 notches

Ingredients: 1 Cup of Good clean water (if your city or well water has an offensive taste, use bottled water)

1 Cup of light Karo syrup (make sure it is light Karo brand syrup)

1/8 Cup of Amaretto liqueur (use the real stuff it makes a difference)

2 TBS of Watkins brand Butter Pecan extract

1 TBS of Rum extract (again, I used Watkins because of the better taste than store bought)

1 tsp of Orange extract

1 to 2 TBS Vanilla extract (again, I used Watkins because of taste after the first run)

Directions for blending:

- In medium size sauce pan add water, Karo syrup & Amaretto. Stir frequently & heat slowly to avoid scorching syrup
- Add remaining ingredients, stir & heat slowly. When color is uniform & smooth, remove from stove. Cool to rm temp

Directions for use:

- Wrap ham in 2 layers of plastic wrap before starting the injection process.
- Using a marinade hypodermic syringe, inject at least 2 fluid oz, up to 3 oz, per lb of meat in a grid pattern evenly throughout entire ham. Use “Double Smoked Ham” recipe above.

SMOKING RECIPES

SMOKED VENISON: 1 Venison Roast, Backstrap, Tenderloin or Ham

Ingredients: 2/3 Cup Soy Sauce; 1/3 Cup Shao Wine (dry sherry acceptable); 5 Clove Garlic, 1 TBS of one or all if fresh herbs: parsley, mint, oregano, sage, basil, mint; 2 TBS Black Pepper Corns Instructions: Defrost in refrigerator overnight. Backstrap or Roast is large. Steak cut from hams is thinner than beef steak & will cook very quickly. Trim off fat, bones and as much gristle as possible. Crush pepper corns by rolling and pressing them between a cutting board and heavy pot. Chop or slice finely garlic. Cover bottom of marinade pan or dish with marinade, does not need to cover top of venison. Marinade meat 6 to 16 hrs. Turn meat 4 times. Longer & soy sauce flavor will be too strong.

Cook at 350°. Not less than 300° or outside will look unappealing. Over 400° may cause a dry and burned piece of venison. Liquid will not rise to the top of the uncooked meat surface. Game meats are leaner & thinner than steak & cooks faster. Turn when bottom looks like it needs to be turned. Cook until internal meat temperature reaches 140 - 145°.

Ask what butcher calls a roast. Above marinade is great for salmon, beef, chicken or game.

SMOKED VENISON: Place leg of venison in container or “hefty bag”. Marinate 2-4 days, turning daily. Marinate bacon overnight in its marinade. Remove roast from the refrigerator 1 hr before cooking. Season generously with seasoned salt and coarse ground black pepper. Wrap 1 lb. Bacon over the top of the roast, and smoke 20 minutes per pound, or until tender. Do not overcook.

VENISON MARINADE: 1 cup Balsamic or wine vinegar, 1 cup olive oil, 2 oz. Worcestershire, ½ oz. Tabasco, 2 TBS. Season All, 1 to 2 chopped jalapeños, 3 oz. Soy sauce. Bacon Marinade: 2 oz. wine vinegar, 2 oz. Worcestershire, 4 dashes Tabasco.

TWICE BAKED POTATOES: (set-up grill for smoking; see above)

Wash and coat 4 large bakers with x virgin olive oil and Kosher Salt

Bake for 1 hour at 400° F or until soft. Then cut length wise and gut.

Mix all of the following ingredients together: Insides of 4 Potatoes, 1/4 cup milk, 1/2 lb fried & crumbled bacon, Scallions as you like, 1 Egg, Cheese (Colby/Jack), ½ cup Mayo/ Mir Whip.

Place mixture back into the potato shell

Bake again for 30 mins at 400° F; Keep potatoes moist because the twice bake will dry out

SMOKED BAKED BEANS: (set-up grill for smoking; see above)

Mix all the following ingredients in a kettle or Dutch oven pot: 2 quarts (64 fl oz) Pork & Beans drained, ¼ lb pork BBQ, ½ of a 4oz can of chopped green chilies, ¼ cup dried onion or ¾ cup fresh onion, ¼ cup BBQ sauce, 1 cup ketchup, 1/8 tsp cayenne pepper, 1/3 cup honey, 1/3 cup Worcestershire sauce, 1/3 cup brown sugar.

Cook uncovered for 3 or 4 hrs (til liquid decreases to desire consistency) at 300 to 375° F

Do not stir during cooking. When finished cooking, the beans will appear dark on the surface because smoke is lying on the top.

Stir to mix the beans and serve hot

BAKING RECIPES

BAKING

Bake pizza, bread, cornbread, biscuits, cobblers, cookies and pies. The BIG RED's™ design for temperature control along with the Smokin' Stone™ and Pizza Baking Stone allows the moisture to be drawn from the pizza crust, providing that desired crispy crust.

BAKED BREAKFAST PIZZA: Start by smoking center cut bacon on the BIG RED™. Next scramble 4 or 5 eggs on the stove, or use Cast Iron skillet and make on the BIG RED™. While the eggs are cooking, brown several cups of hash browns. Make white gravy pepper heavily. Use a precooked Mama Mary's pizza crust and spread a layer of white gravy onto it. Next mixed hash browns, eggs and bacon into a bowl and place them onto the pizza crust topped with cheese and more gravy. Cook on your BIG RED's™ stone Smokin' Stone™ at 450° for 13 mins & then it is chow time.

12 inch HOME MADE PIZZA:

Ingredients

Sauce: 1 Tbsp olive oil, 1/2 onion diced small, 1 clove garlic minced, 1 x 15-oz can whole tomatoes, 1 sprig Fresh Oregano, 1/2 tsp sugar, 1/2 tsp kosher salt, 1/8 tsp ground pepper

Crust: 1½ cups warm water, 2 TBS olive oil, 2 tsp kosher salt, 3 x ¾ cups bread flour, ½ corn meal, 2 tsp sugar, 2 tsp rapid rise yeast

Preparation

Sauce:

- Heat the oil in a 1-1/2 qt sauce pan. Cook the onion and garlic until softened and translucent, about 3 minutes. Stir as necessary.
- Add tomatoes, crush lightly with hands as added. Add juice too. Strip leaves from oregano stem & chop
- Add oregano & sugar. Simmer, stir occasionally for about 20-30 mins, until thickened. Add salt / pepper.
- If you prefer a non-chunky sauce, puree the ingredients before putting in pot

Crust

- Purchase ready-made crust or dough, or.....
- Place ingredients in the order listed into bread machine. Run machine on pizza cycle. To use immediately, move to Pizza Screen (or place in oiled bowl, cover & place in refrigerator until ready to use).

Pizza

- Add the sauce and other ingredients (if you like) to the crust.
- The pizza can be cooked two different ways.
 1. Preheat grill to 650°. Wet pizza stone (to cool), place pizza on stone and cook 6 mins.
 2. If grill cannot achieve hot temp, then pre-heat grill to 350° and cook 15-20 mins (until golden brown)
- Let sit for 5 minutes and enjoy! Pizza screen will help take pizza on and off grill.

BAKING RECIPES:

HOMEMADE PIZZA & SAUCE:

Sauce:

- In a skillet, sauté 1 small finely chopped onions in 1 TBS olive oil for a few minutes, then add 1 (15oz) can of crushed tomatoes, 1 tsp salt, black pepper, 1TBS of basil and oregano.
- On medium heat, stir from time to time cooking for 20 minutes.

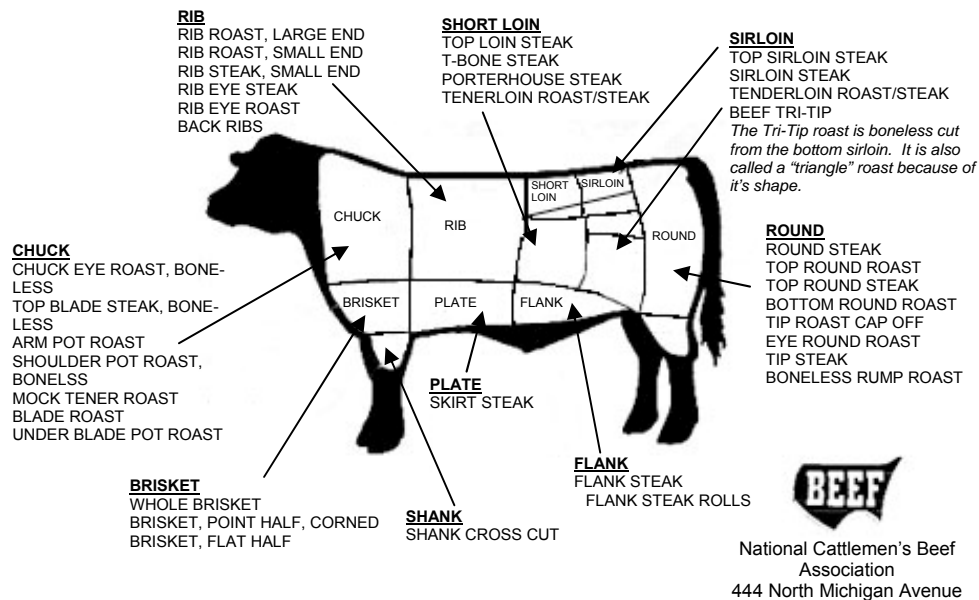
Pizza Crust:

- Use a precooked Mama Mary's pizza crust or buy a dough ball or...
- Pour 1 cup water into processor, add 1 pack (2 ½ tsp) yeast – give a quick pulse.
- Add 1 cup bread flour (buy best), 1 tsp salt, 1TBS olive oil – give a few quick pulses
- Add 1 ½ cup more flour and process to form a ball – adding more flour as needed. The dough should not be sticky, so adjust the flour used to get a fairly firm, smooth dough.
- Remove from processor bowl & place on a floured surface, knead it a few more times by hand.
- Place dough in a covered bowl to rise until doubled (plus or minus 1 ½ hours)
- Remove from bowl, punch down & form two balls that can be rolled out into (2) 12" pizzas. (You may want to fold over the edges, to give an edge crust/rim to contain sauce and ingredients)

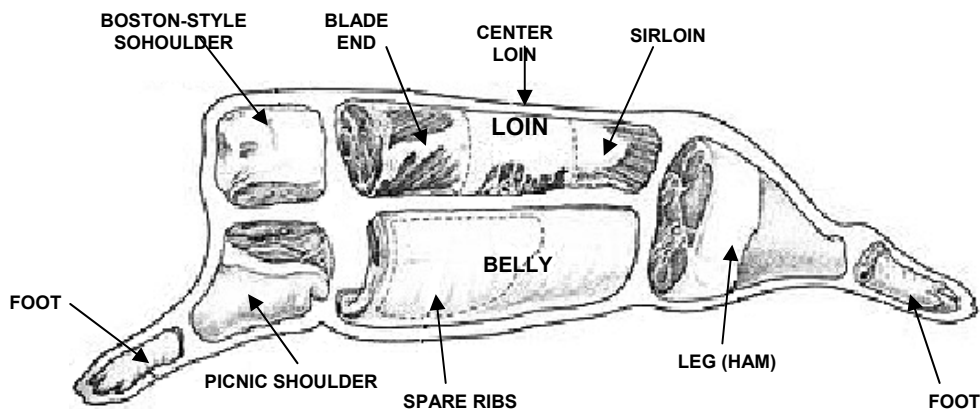
The Pizza:

- Spread sauce on Pizza dough
- Layer with favorite toppings (cheese, sausage, mushrooms, peppers, onions, anchovies, ect.)
- Place Pizza on the stone Smoking Plate. Bake Pizza at 400° F for 35 - 40 minutes. Cover Smokin' Stone™ with cornmeal to keep Pizza from sticking.

BEEF CUTS



PORK CUTS





“BIG RED”™ Kamado Kooker



Easy Forgiven Grill

SAME GRILLING CHARACTERISTICS AS CERAMIC

Insulated heat requires less air flow across meat, which gives more flavor & taste without drying out.

Sear meat up to 700° F or slow cook at 250-360° F. Yum-Yum Good!



For Pricing or to Order, Visit:

www.CharGriller.com

or

CALL: 912-638-4724

or

FAX: 912-638-2580

or MAIL:

P.O. Box 30864

Sea Island, GA 31561



Visit our online store at:

www.CharGriller.com

for more Char-Griller®

Professional Accessories™

ACCESSORIES

TO ENHANCE YOUR KAMADO GRILLING EXPERIENCE

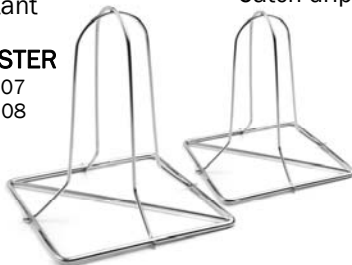


GRILL COVER #6655

Custom Fit
Weather Resistant

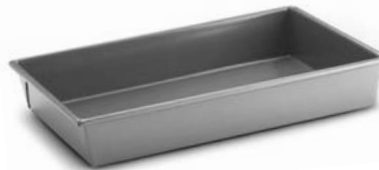
POULTRY ROASTER

TURKEY # 6207
CHICKEN #6208



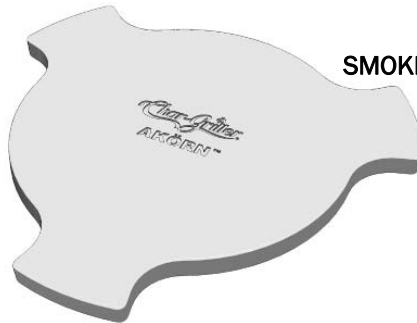
DRIP PAN #6205

Catch drippings & holds liquid flavors
For extra taste



SMOKIN' STONE™ #6201

Circulates air around meat & protects meat from direct flame and heat
Enhances tastes and tenderness



PIZZA STONE ~15" #6202

Use as a baking stone

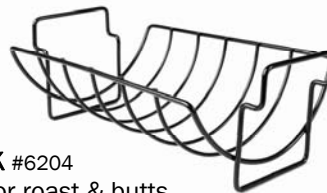
APRON #8805

2 Pockets
Adjustable



U-RACK #6204

Upright for roast & butts
Upside down for ribs



REMOTE THERMOMETER # 6206

Monitor temperatures of both meat and smoking chamber up to 572° F. (Withstands up to 695° F)
Check the meat and smoking chamber temperatures from inside the house – up to 300 feet away



WOK KOOKER # 6203