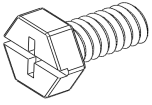
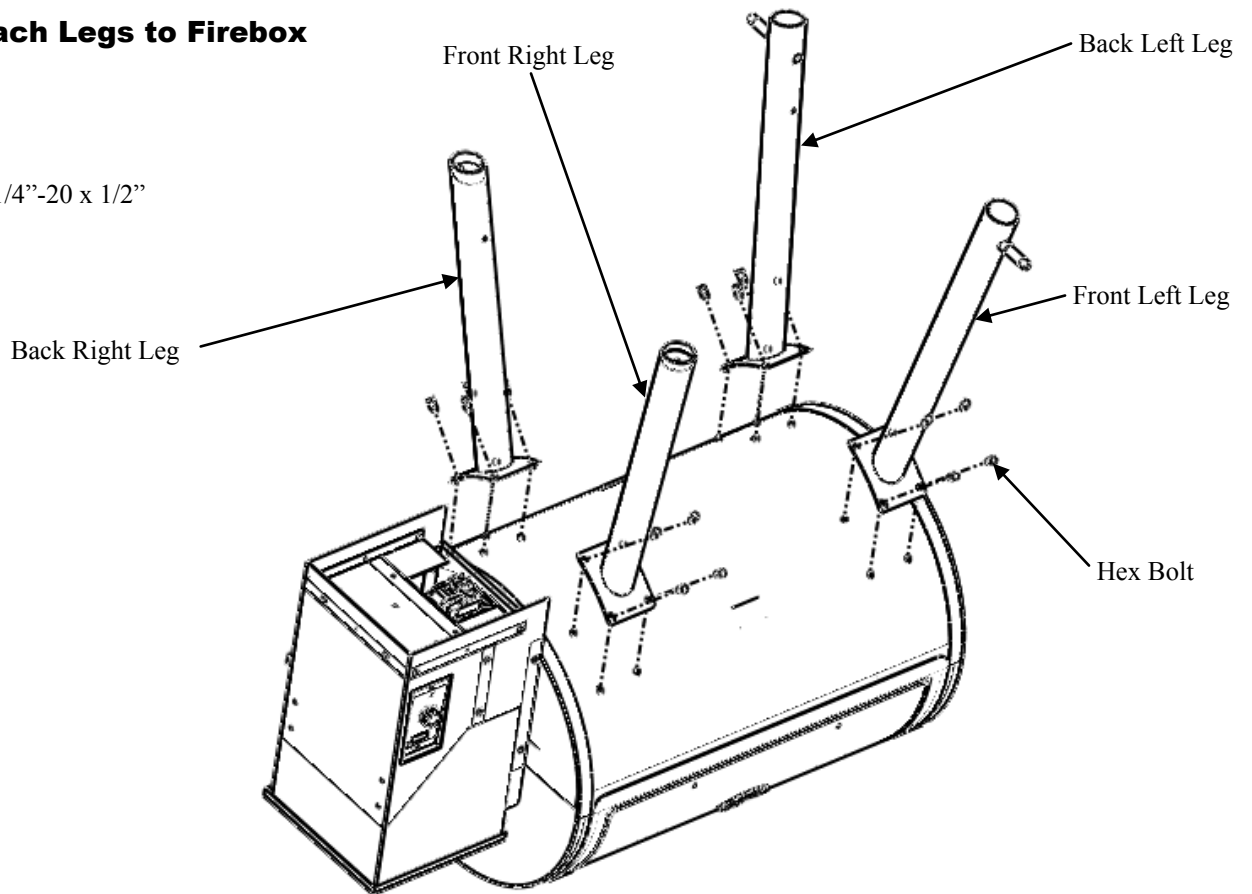


GRILL ASSEMBLY

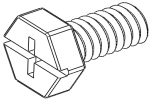
Step 1: Attach Legs to Firebox



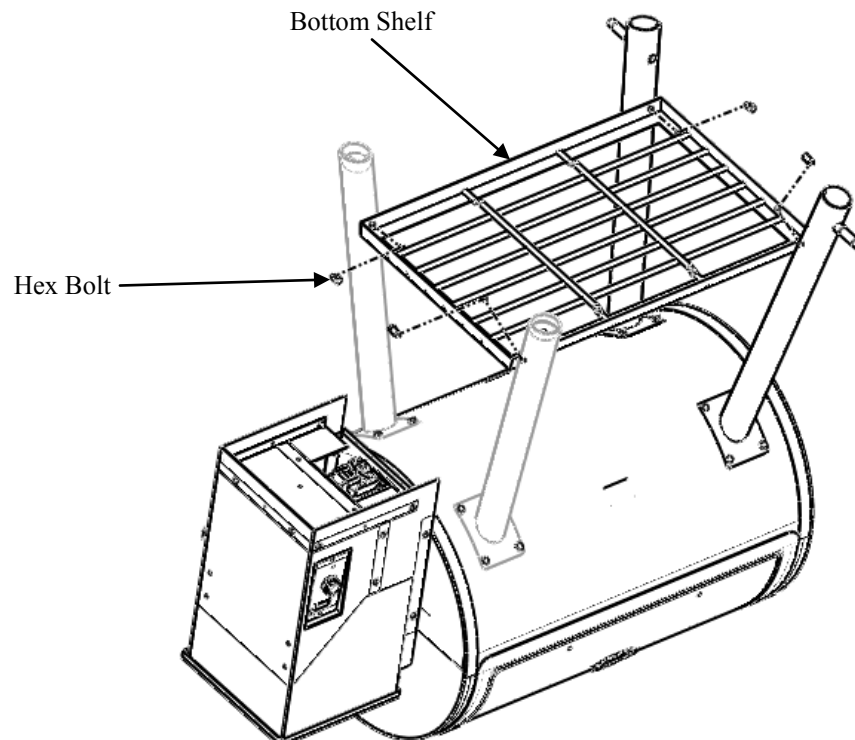
(16) Hex Bolt --1/4"-20 x 1/2"



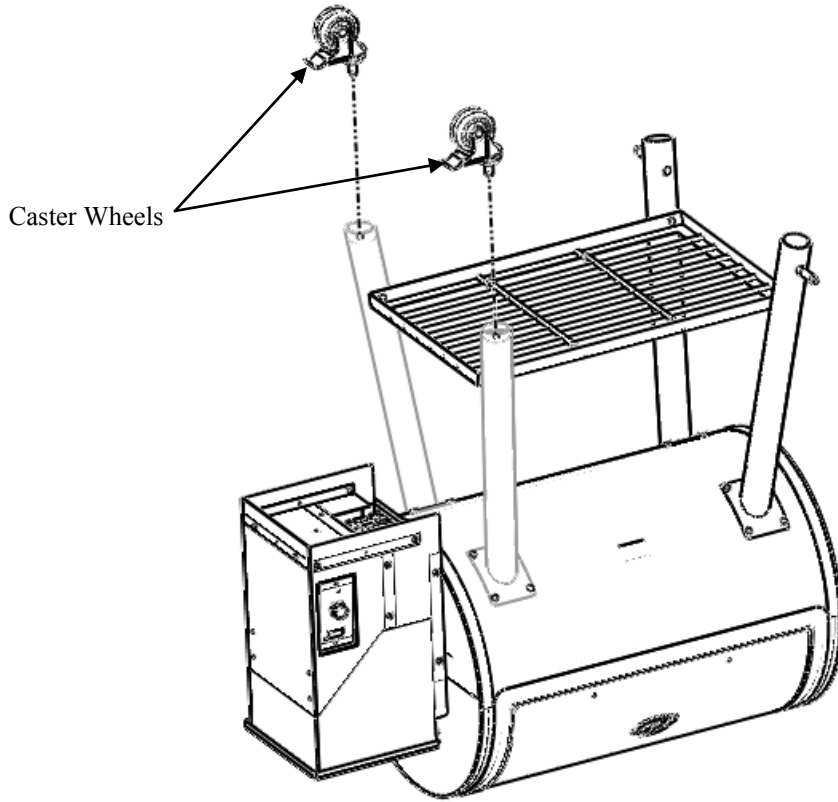
Step 2: Attach Bottom Shelf



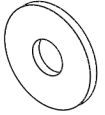
(4) Hex Bolt --1/4"-20 x 1/2"



Step 3: Attach Caster Wheels



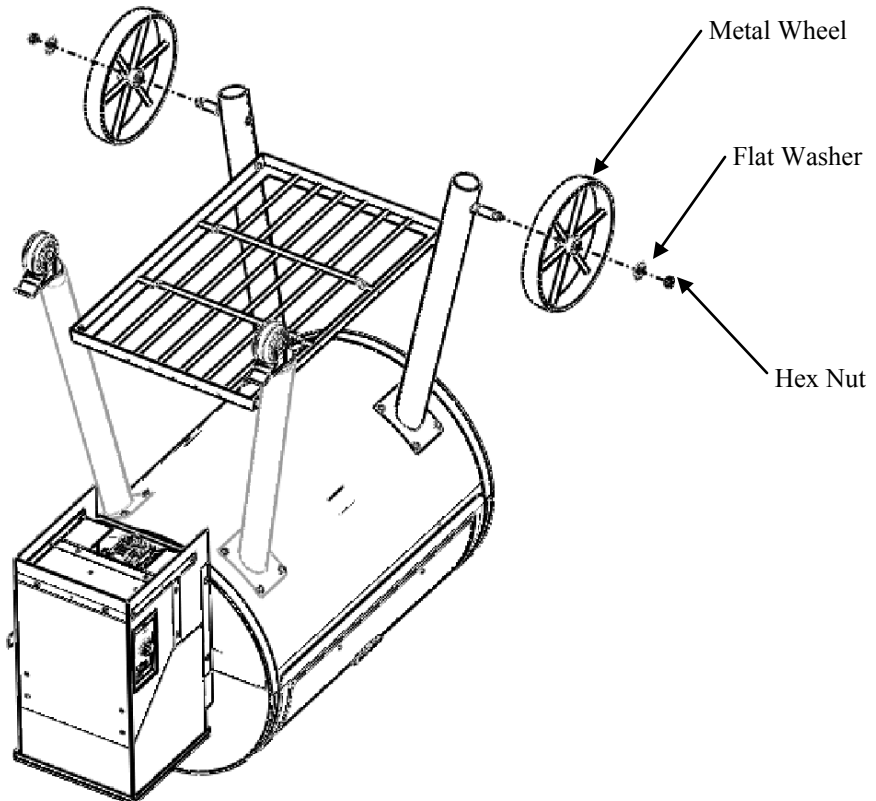
Step 4: Attach Metal Wheels



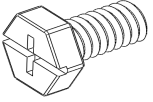
(2) Flat Washer



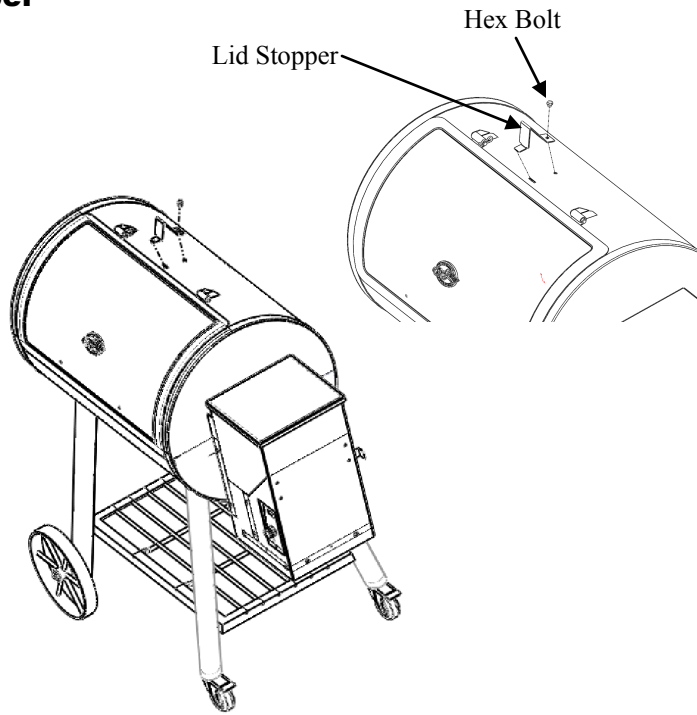
(2) Hex Nut—7/16"-20



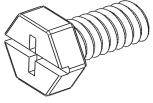
Step 5: Attach Lid Stopper



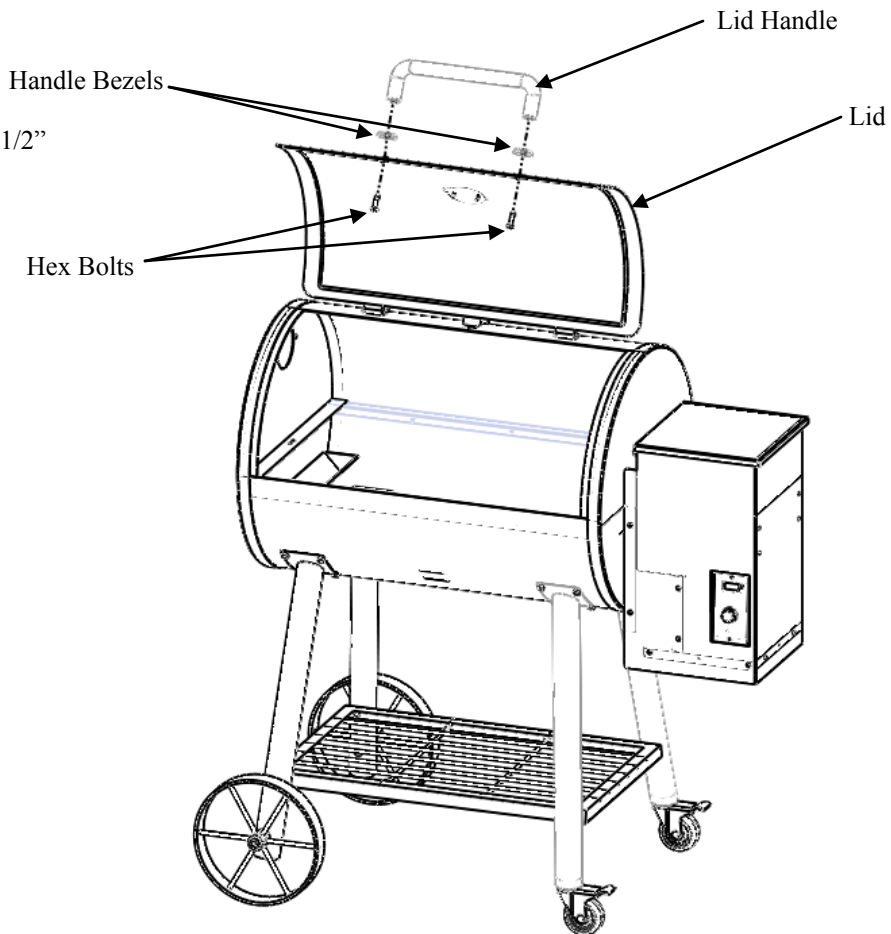
(1) Hex Bolt --1/4"-20 x 1/2"



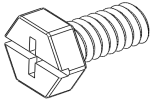
Step 6: Attach Lid Handle



(2) Hex Bolt --1/4"-20 x 1/2"



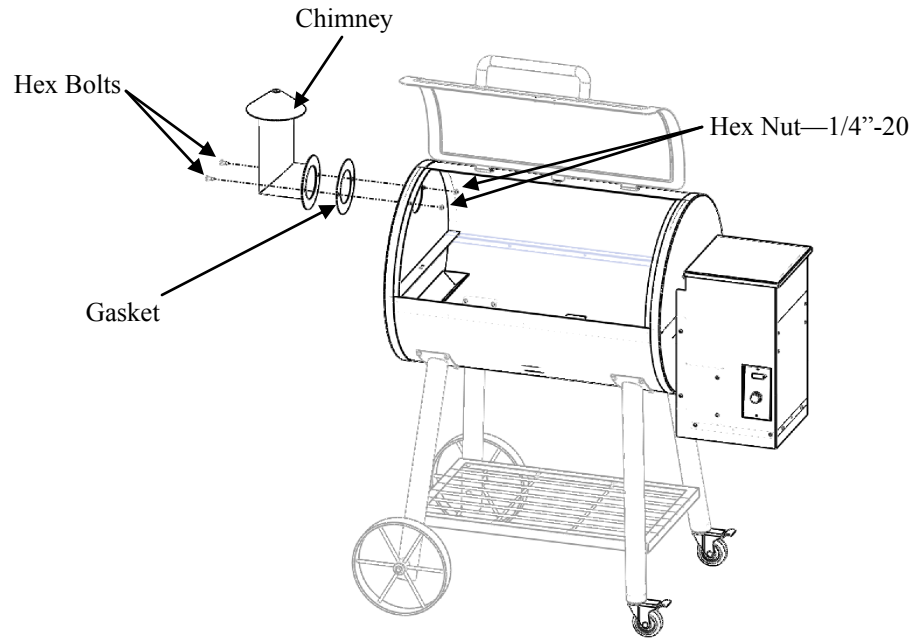
Step 7: Attach Chimney



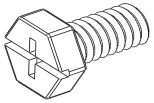
(2) Hex Bolt --1/4"-20 x 1/2"



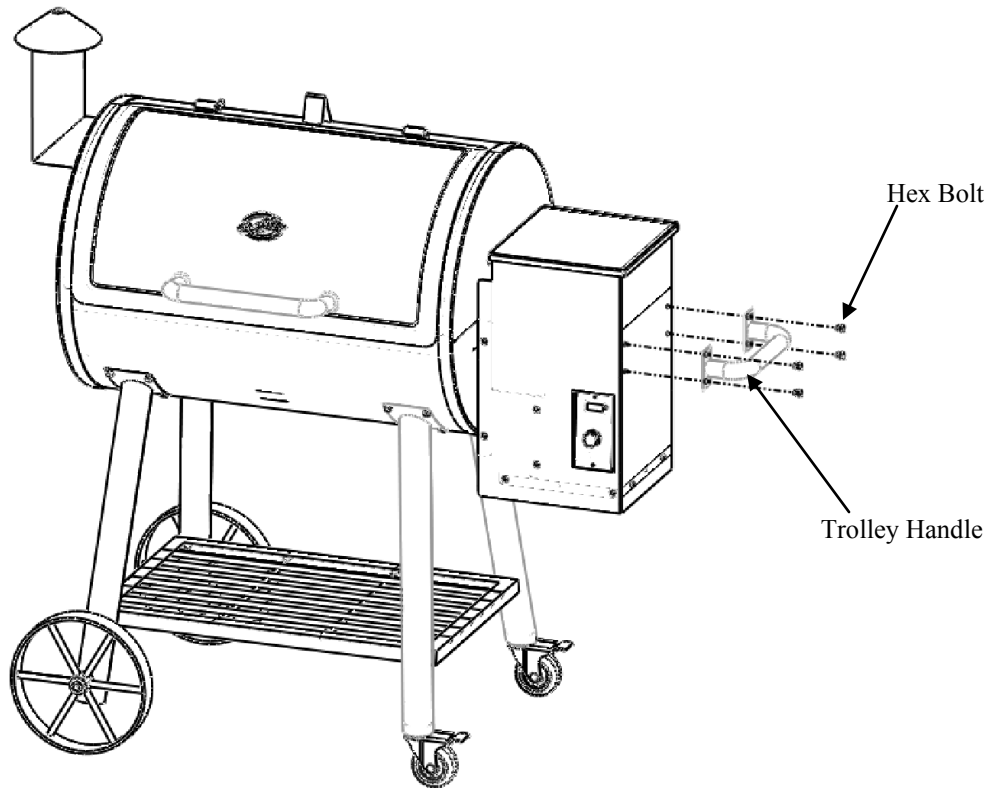
(2) Hex Nut—1/4"-20



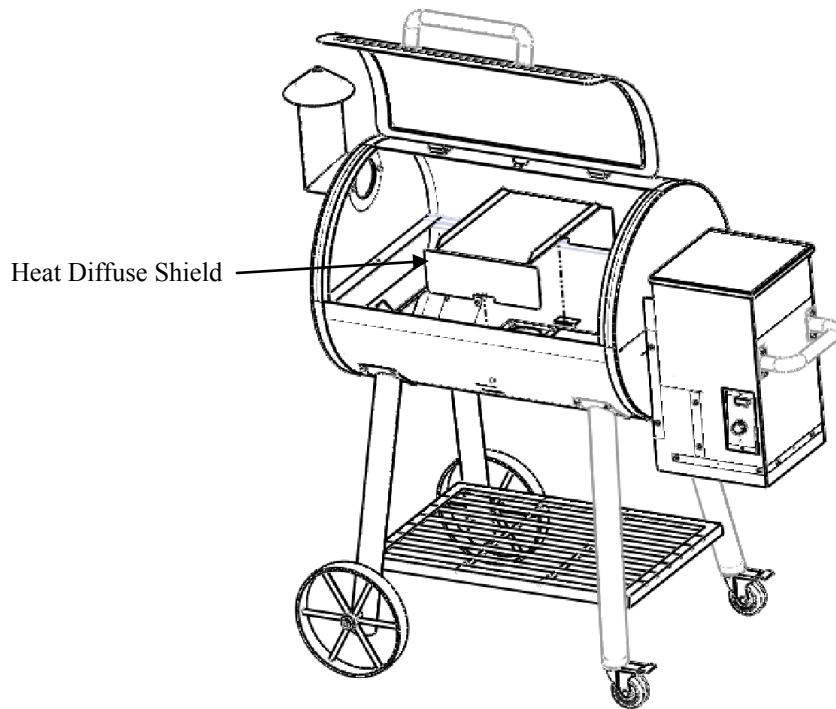
Step 8: Attach Trolley Handle



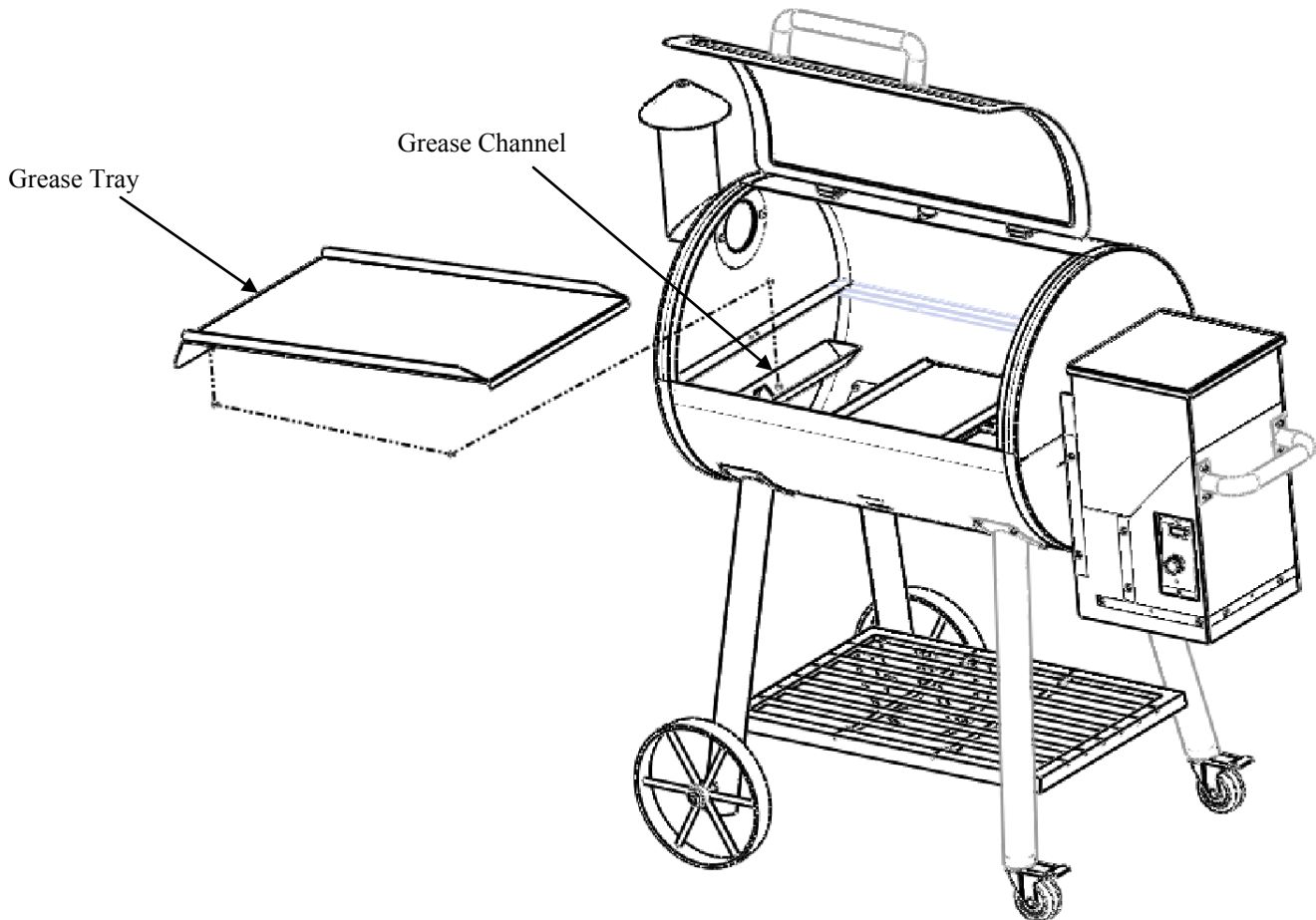
(4) Hex Bolt --1/4"-20 x 1/2"



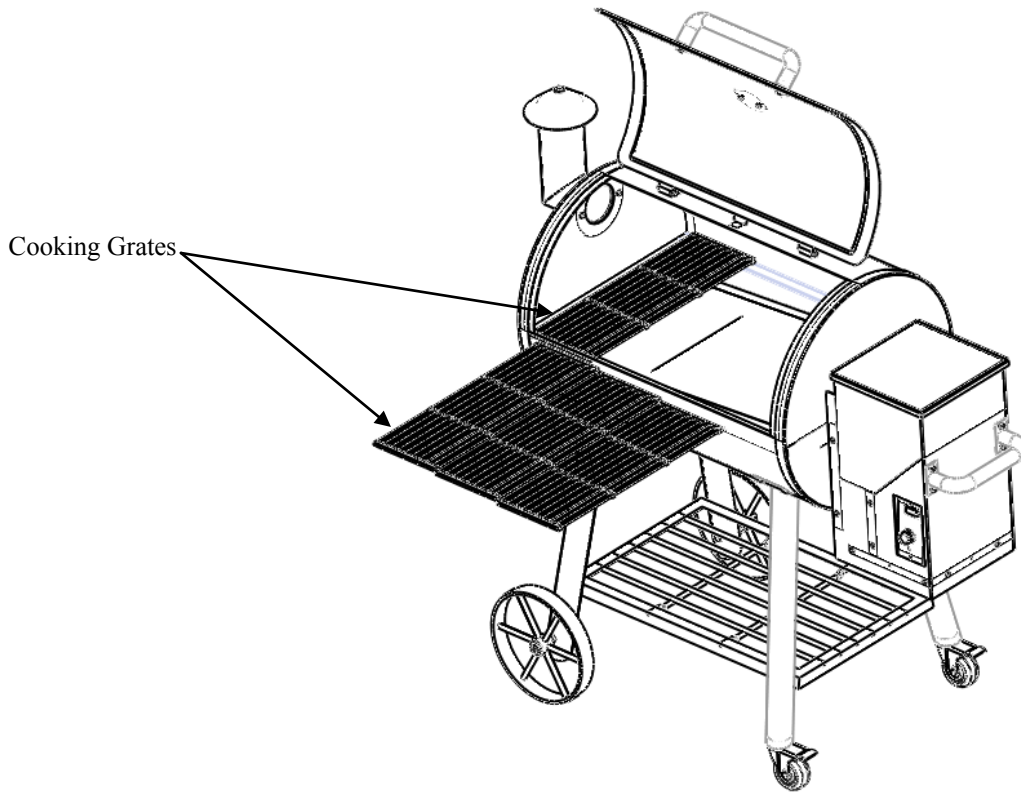
Step 9: Place Heat Diffuse Shield Inside Firebox



Step 10: Place Grease Tray onto Grease Channel



Step 11: Place Cooking Grates into Firebox



Step 12: Hang Grease Bucket on hinge of grease tunnel

