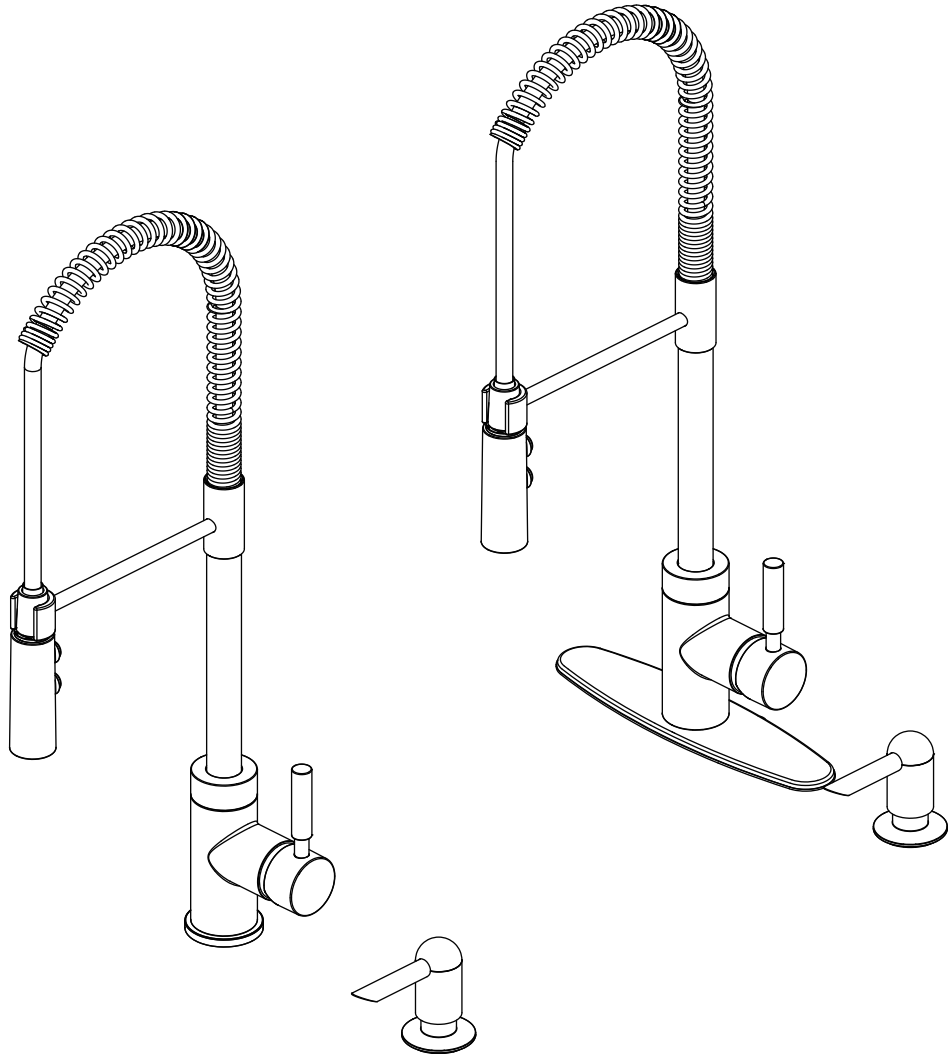


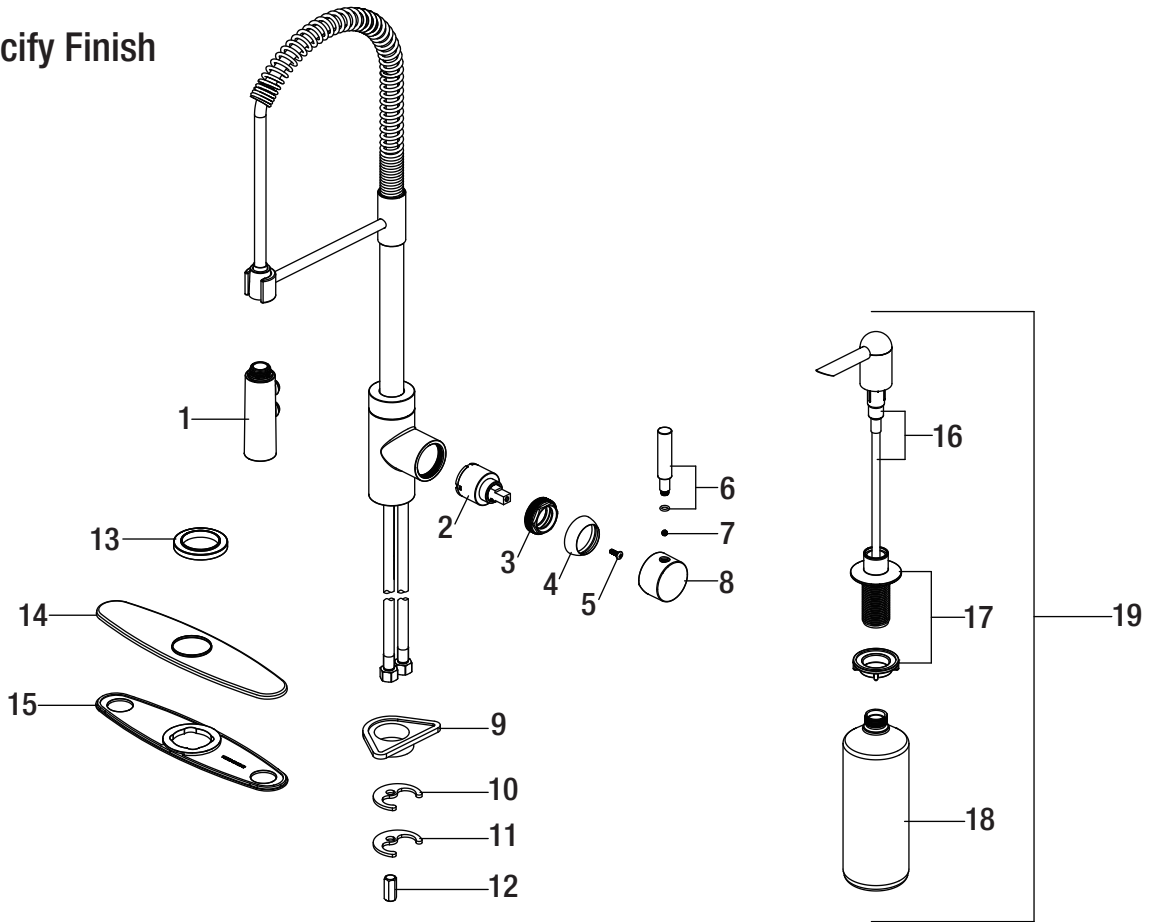
# Installation Instruction

## SINGLE-HANDLE KITCHEN FAUCET



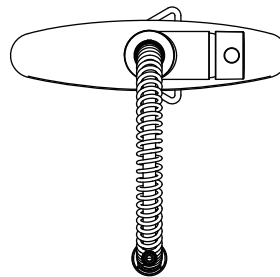
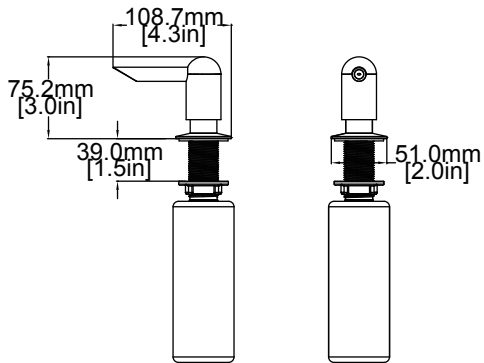
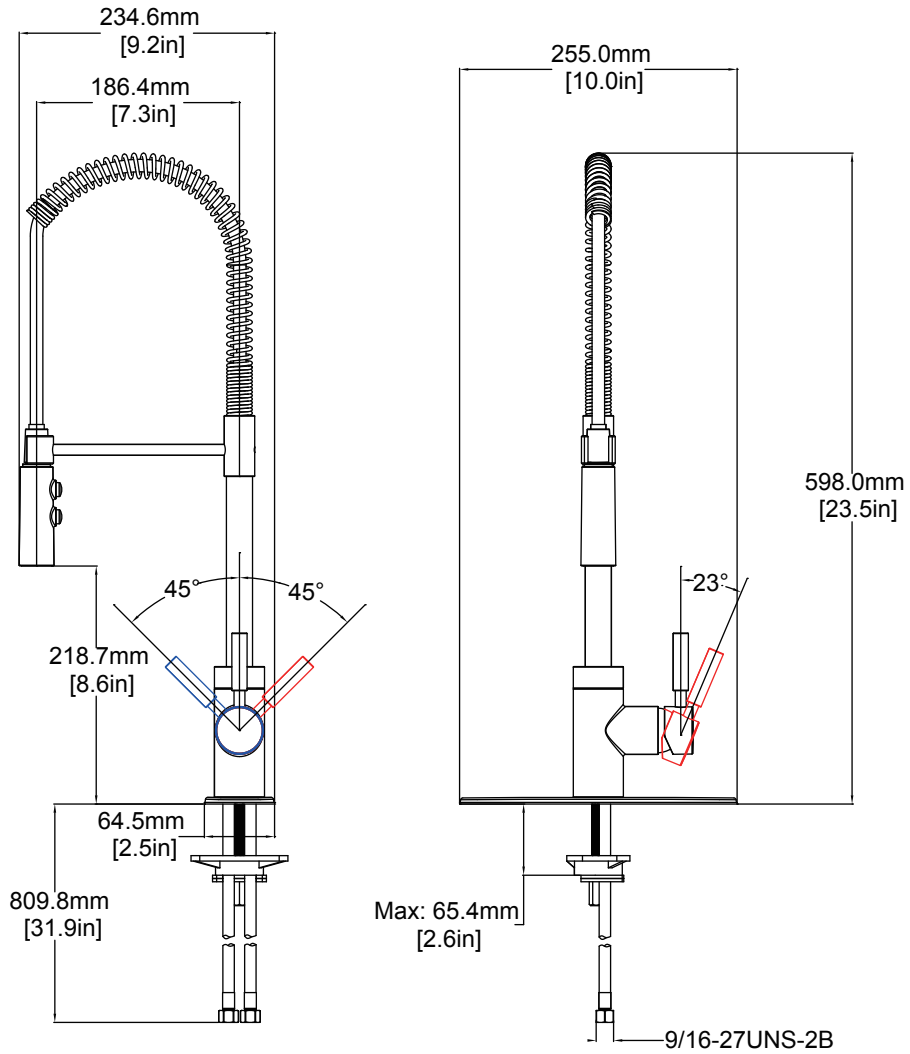
**Model: 7556**

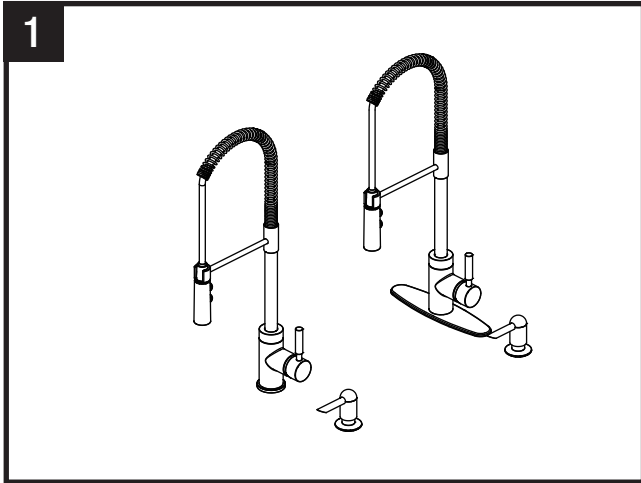
**\*Specify Finish**



PART PIÈCE	DESCRIPTION DESCRIPTION	PART# N ° DE PIECE
1	Spray head / Cabezal del rociador	RP38120*
2	Cartridge / Cartucho	RP20005
3	Bonnet / Bonete	RP70159
4	Cap / Tapa	RP80132*
5	Screw / Tornillo	RP50015
6	Handle & O-ring / Llave y aro tórico	RP13257*
7	Set screw / Tornillo de fijación	RP50002
8	Handle seat / Asiento de la llave	RP17075*
9	Mounting bracket / Soporte de montaje	RP70244
10	Rubber washer / Arandela de goma	RP64045
11	Metal washer / Arandela metálica	RP64046
12	Nut / Tuerca	RP56065
13	Flange / Brida	RP80079*
14	Escutcheon / Placa protectora	RP80514*
15	Base plate / Placa base	RP70188
16	Pump kit / Kit de bomba	RP46018
17	Flange kit / Kit de brida	RP46034*
18	Bottle / Botella	RP46002
19	Soap dispenser / Dispensador de jabón	RP46029*

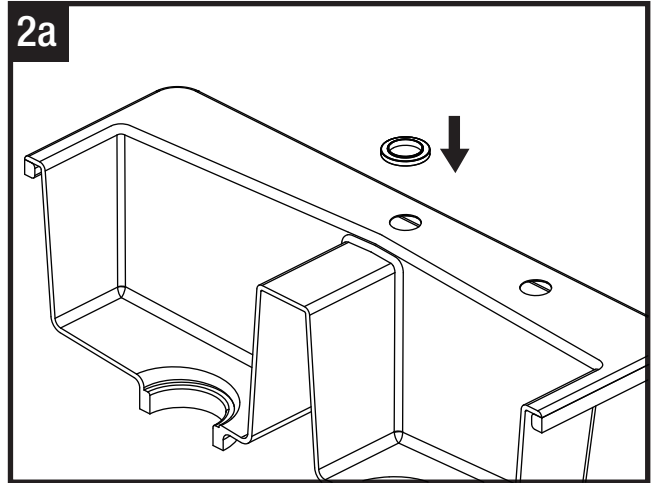
# Product Dimension Drawing





This faucet can be installed as 4 hole installation with the escutcheon or as 2 hole installation with flange. If using flange, begin with step 2a. If using escutcheon, begin with step 2b.

Este grifo se puede instalar con cuatro orificios con la placa ornamental o con un dos orificio con un reborde. Si utiliza un reborde, comience con el paso 2a. Si utiliza una placa ornamental, comience con el paso 2b.

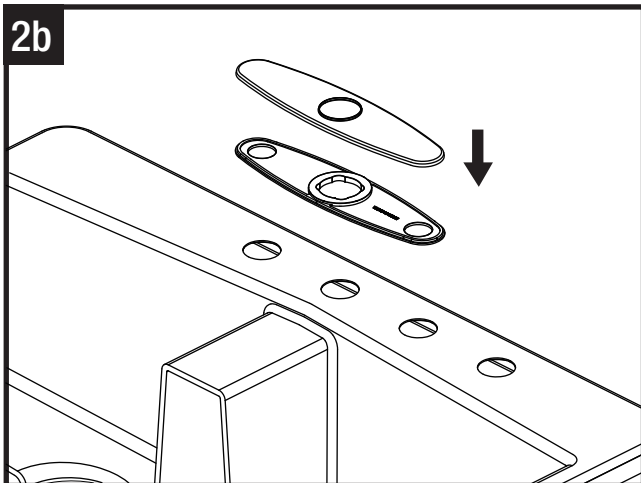


#### Optional Flange Installation

Shut off water supplies. Remove old faucet. Place flange on the sink. Proceed to Step 3a.

#### Instalación del Reborde Opcional

Corte el suministro de agua. Retire el grifo viejo. Coloque el reborde en el fregadero. Siga con el Paso 3a.



#### Optional Escutcheon Installation

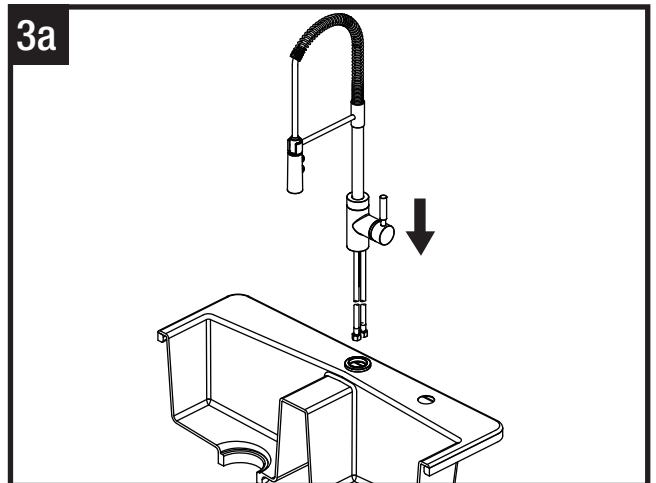
Shut off water supplies. Remove old faucet. Install escutcheon over the three holes in the sink. Proceed to Step 3b.

NOTE: If the sink is uneven, use silicone under the base plate.

#### Instalación de la Placa Ornamental Opcional

Corte el suministro de agua. Retire el grifo viejo. Coloque la placa ornamental sobre los tres orificios del fregadero. Siga con el Paso 3b.

NOTA: Si el fregadero es irregular, usa silicona debajo de la placa base.

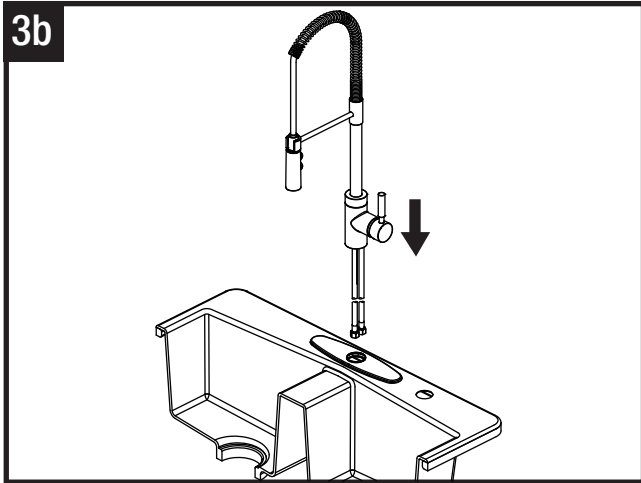


#### Optional Flange Installation

Insert faucet body through the hole in flange.

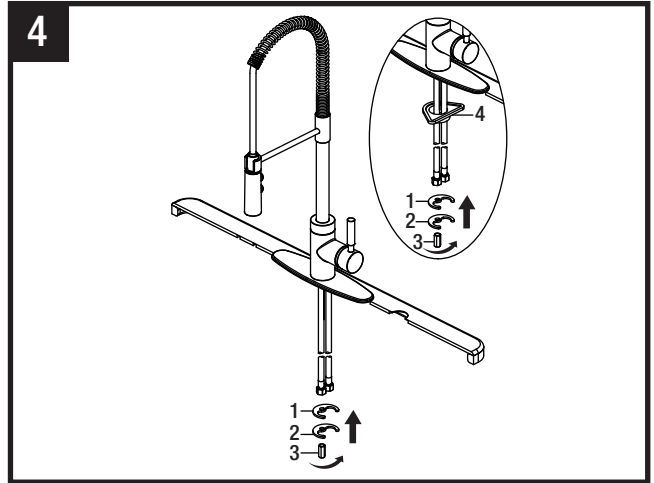
#### Instalación del Reborde Opcional

Inserte el cuerpo del grifo en el orificio de la del reborde.



**Optional Escutcheon Installation**  
Insert faucet body through the hole in escutcheon.

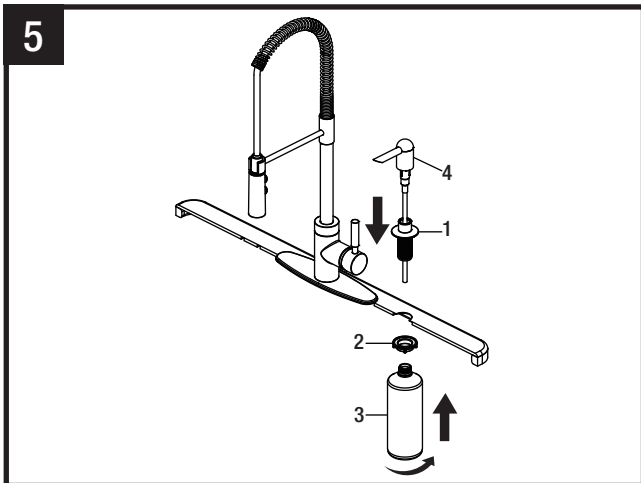
**Instalación de la Placa Ornamental Opcional**  
Inserte el cuerpo del grifo en el orificio de la placa ornamental.



From underside, install the rubber washer (1), metal washer (2) and nut (3) onto the bolt. Firmly tighten the nut. Do not overtighten.  
**NOTE:** The mounting bracket (4) only needs to be used if installing onto a sink or countertop less than 3/4". Otherwise it can be discarded.

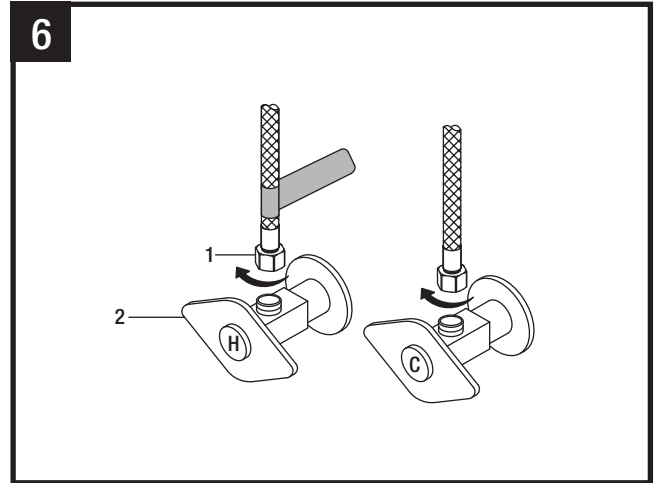
Desde la parte inferior, instala la arandela de goma (1), la arandela de metal (2) y la tuerca (3) en el perno. Ajusta firmemente la tuerca. No aprietes demasiado.

**NOTA:** Sólo necesitas usar el soporte de montaje (4) si vas a instalarlo en un fregadero o mostrador de menos de 1.9 cm. De lo contrario, puedes desecharlo.



Insert the body assembly (1) through the selected hole in the sink. Secure the body assembly to the sink with the nut (2). From under the sink, screw the bottle (3) onto the body assembly (1) shank. Insert the pump (4) down into the body assembly (1).

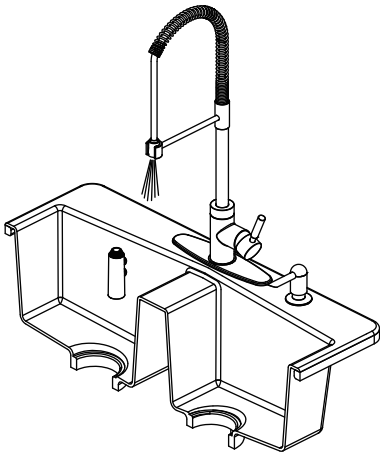
Coloca la pieza ensamblada (1) a través del orificio seleccionado en el fregadero. Asegura el ensamblaje del cuerpo al fregadero con la tuerca (2). Desde abajo del fregadero enrosca la botella (3) en el vástago del ensamblaje (1) del cuerpo. Inserta la bomba (4) en el ensamblaje (1) del cuerpo.



Thread the nut (1) on the supply line onto the outlet of the water supply valve (2) and tighten with a wrench. Do not overtighten.  
**NOTE:** The hot side inlet tube is indicated by a label. Avoid twisting wires together or placing the wires close to each other and damaging.

Enrosca la tuerca (1) de la línea de suministro en la salida de la válvula de suministro de agua (2) y aprieta con una llave. No aprietes demasiado.

**NOTA:** El tubo de entrada del agua caliente se identifica con una etiqueta. Evita enrosca los cables juntos o colocarlos cerca y evita dañarlos.

**7**

**IMPORTANT:** After installation is completed, turn on the hot and cold water supplies. Check for leaks. Pull the hose assembly out of the spout and remove the spray head by unscrewing it from the hose in a counterclockwise direction. Be sure to hold the end of the hose down into the sink and turn the faucet on to the warm position where it mixes hot and cold water. Flush the water lines for one minute. This flushes away any debris that could cause damage to internal parts. Check for leaks. Re-tighten any connections if necessary, but do not overtighten. Reinstall the spray head by hand tightening it back onto the spray hose.

**IMPORTANTE:** Luego de terminar la instalación, abra los suministros de agua caliente y fría. Retira del caño el ensamblaje de la manguera y retira el cabezal del rociador desenroscándolo de la manguera en el sentido contrario a las manecillas del reloj. Asegúrate de sostener el extremo de la manguera hacia abajo en el fregadero y gira el grifo a la posición de agua tibia donde mezcla el agua caliente y la fría. Deja que corra el agua por un minuto. Esto enjuagará cualquier suciedad que podría dañar las piezas internas. Verifica que no haya filtraciones. Vuelve a ajustar las conexiones que lo necesiten, pero sin apretar demasiado. Vuelve a instalar el cabezal del rociador ajustándolo a mano en la manguera del rociador.

# Cleaning Recommendations

Today, modern sanitary and kitchen tapware, showers, accessories, washstands, tubs and consist of very different materials to comply with the needs of the market with regard to design and functionality.

To avoid damage and product failures and not void Warranty please follow the below guideline.

- Only use cleaning material which is explicitly provided for this type of application.
- Never use cleaning materials, which contain hydrochloric acid, formic acid, chlorine pale lye or acetic acid, as they cause considerable damage.
- Phosphorus acidic cleaners are only conditionally applicable.
- Mixing cleaning agents is not permitted, generally.
- Never use cleaning materials or appliances with an abrasive effect, such as unsuitable cleaning powders, sponge pads or micro fiber cloths.
- The instructions of the cleaning agent manufacturers have to be followed absolutely.
- Cleaning has to be carried out with a specified cleaner dosage, contact time, object-related and adapted to the needs.
- The building up of calcifications has to be removed by cleaning regularly.
- When using spray cleaners, spray the cleaning solution onto a soft cloth or sponge, never directly onto the actual faucet, as the atomized spray could enter openings and gaps in the faucet product and cause damage.
- After cleaning rinse thoroughly with clean water to remove any cleaner residue.
- The use of steam cleaners is not permitted. The high temperatures can damage the products.

•Water hose supply lines should be inspected monthly for abrasions to the lines and any bulges that could indicate weakness to the lines. These types of issues can cause ruptures to the supply lines that would cause flooding/damage. Do your part and regularly inspect your water supply lines.

## Important

Residues of toiletries such as liquid soaps, shampoos and shower gels, hair dyes, perfumes, aftershave and nail varnish can also cause damage.

Here too: Carefully rinse with water after use to remove residues. Likewise, do not store any cleaning agents or chemicals under the products, for example in a vanity unit, as the vapors may damage the products.

Components with damaged surfaces must be exchanged, otherwise there could be an injury danger. Damage caused by improper treatment will not be covered by our warranty.

# Warranty conditions

## General

### LIMITED CONSUMER Warranty

This product has been manufactured and tested to the highest quality standards for Imperial Pacific Trading LLC. This warranty is limited to products that are purchased by a consumer in the United States or Canada after November 1, 2015, and installed in either the United States or in Canada.

### WHO IS COVERED BY THE WARRANTY

This warranty extends to the original purchaser only. This warranty is non-transferable.

### WHAT IS COVERED BY THE WARRANTY

The warranty covers products made for Imperial Pacific Trading LLC against defects in material or workmanship as follows: Imperial Pacific Trading LLC, will replace at no charge for parts only or, at its option, replace any product or part of the product that proves defective because of improper workmanship and/or material, under normal installation, use, service and maintenance. If Imperial Pacific Trading LLC, is unable to provide a replacement and repair is not practical or cannot be made in timely fashion, Imperial Pacific Trading, may elect to refund the purchase price in exchange for the return of the product.

### LENGTH OF WARRANTY

Replacement or repaired parts of products will be covered for the term of this warranty, as stated in the following two sentences. If you are a consumer who purchased the product for use primarily for personal, family or household purposes, this warranty extends for two years. If you purchased the product for use for any other purpose, including, without limitation, a commercial or industrial application purpose, this warranty is void. Any Commercial or Industrial use will automatically void this warranty.

### THIS WARRANTY DOES NOT COVER, AND Imperial Pacific Trading LLC WILL NOT PAY FOR:

- A. Conditions, malfunctions or damage not resulting from defects in material or workmanship.
- B. Conditions, malfunctions or damage resulting from (1) normal wear and tear, improper installation, improper maintenance, misuse, abuse, negligence, accident or alteration; (2) the use of abrasive or caustic cleaning agents or "no-rinse" cleaning products, or the use of the product in any manner contrary to the product instructions; or (3) conditions in the home such as excessive water pressure or any corrosion due to any and all chemical vapor/ off gassing to include chlorine vapor.
- C. Labor and other expenses for disconnection, deinstallation, or return of the product for warranty service (including but not limited to proper packaging and shipping costs), or for installation or reinstallation of the product.
- D This includes freight costs, cartridge replacement, labor, travel time, lost profit, home damages and other contingent liabilities and costs (including, without limitation, costs associated with experts, investigations, analysis, attorneys and other professionals and services) this warranty is a comprehensive and explicit limit of liability and all items outside of it are not addressable by the responsibility of Imperial Pacific trading LLC.

Imperial Pacific trading LLC makes no implication of the products comply with any or all local building or plumbing codes is the consumer's responsibility to determine the compliance.

### TO OBTAIN WARRANTY PARTS OR INFORMATION

#### Contact

Imperial Pacific Trading LLC  
4170 JVL Industrial Park Dr.  
Marietta, GA 30066  
Tel: 678-445-4638  
Fax: 404-745-0434  
Email: sales@iptsink.com

In requesting warranty service, you will need to provide:

- 1 The sales receipt or other evidence of the date and place of purchase.
2. A description of the problem.
3. Delivery of the product or the defective part, postage prepaid and carefully packed and insured. When warranty service is completed, any repaired or replacement product or part will be returned to you postage prepaid.