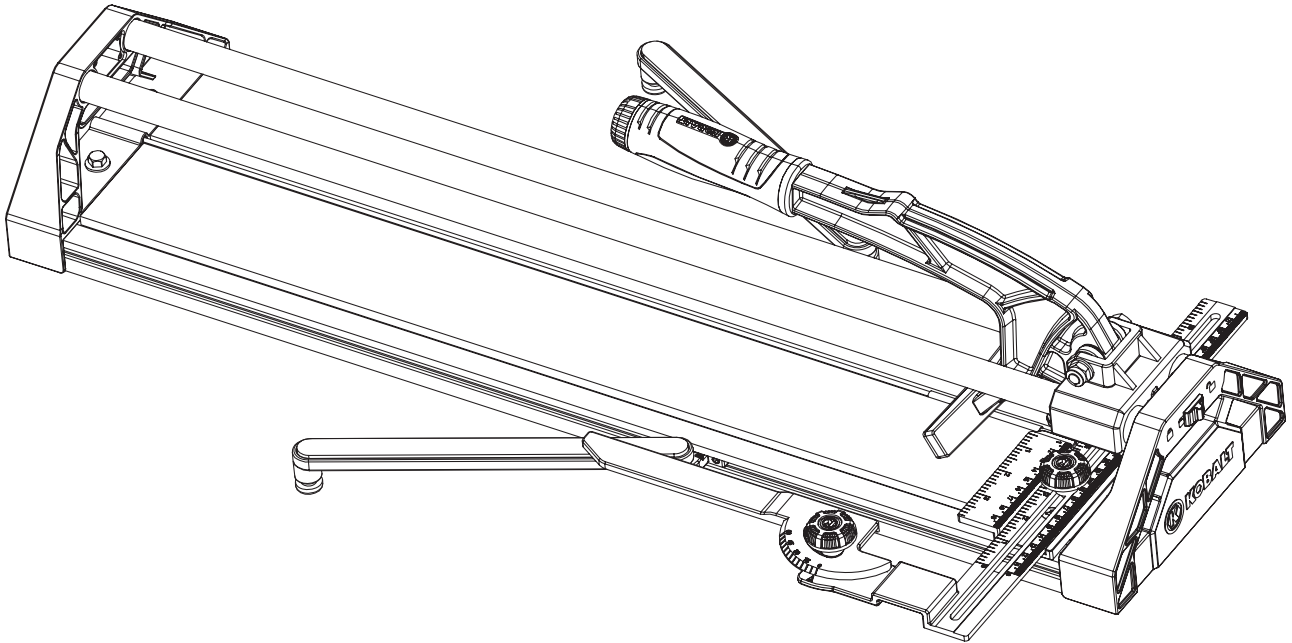


# KOBALT™



ITEM #0535112

## 24 IN. TILE CUTTER

MODEL #0055311

Français p. 7

Español p. 13

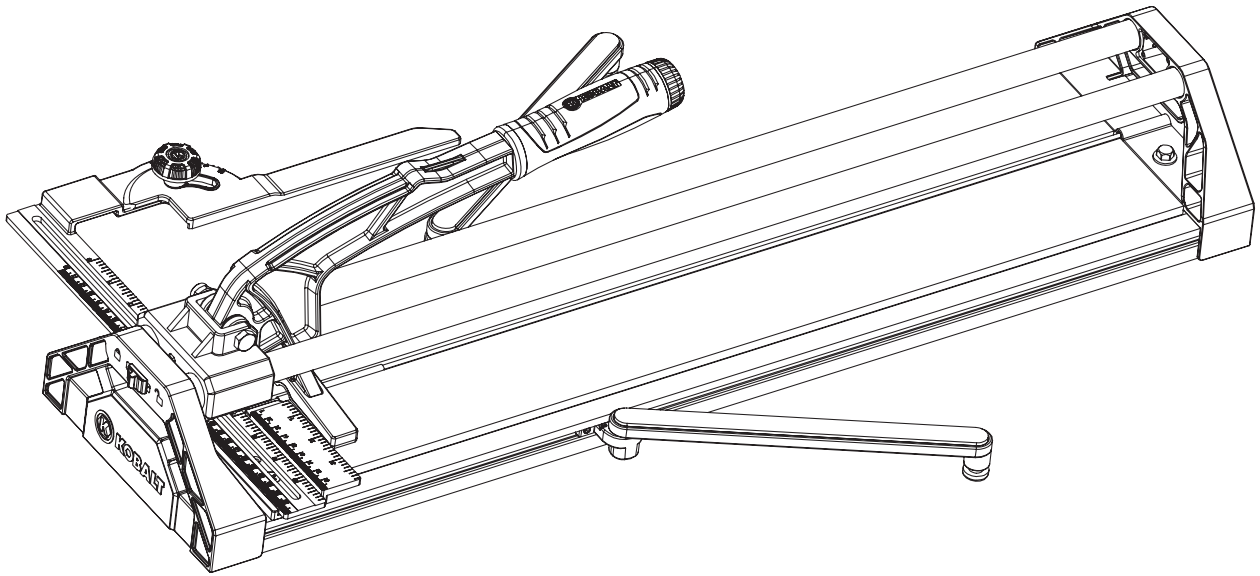
**ATTACH YOUR RECEIPT HERE**

Serial Number \_\_\_\_\_ Purchase Date \_\_\_\_\_



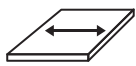
**Questions, problems, missing parts?** Before returning to your retailer, call our customer service department at 1-888-3KOBALT (1-888-356-2258), 8 a.m - 8 p.m., EST, Monday - Friday.

## PACKAGE CONTENTS

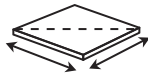


PART	DESCRIPTION	QUANTITY
1	Tile Cutter	1

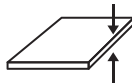
## GENERAL FEATURES



24 in  
60,96 cm



16,9 x 16,9 in  
43 x 43 cm



5/8 in  
1,6 cm



1 in  
2,54 cm

Minimum

Ideal for ceramic tiles, not for high hardness materials such as glass tiles, porcelain and marble.



## SAFETY INFORMATION

Please read and understand this entire manual before using the product.

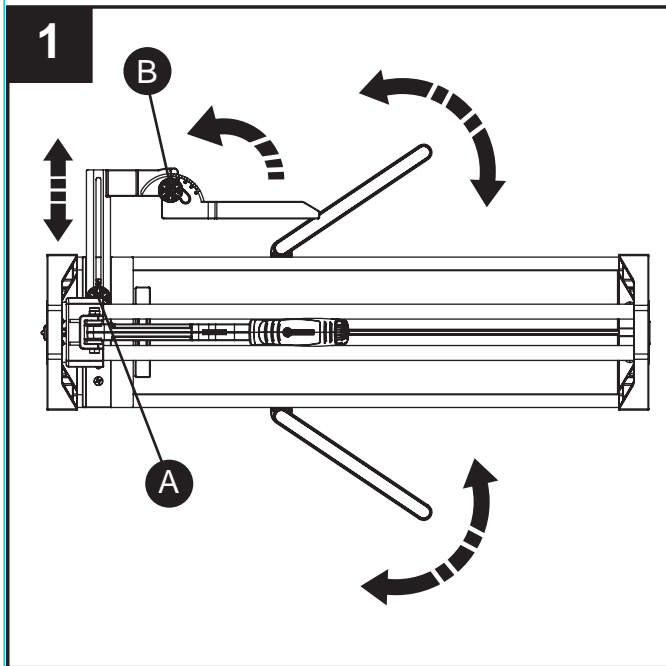
### CAUTION

Do not move the tool with a tile on it.

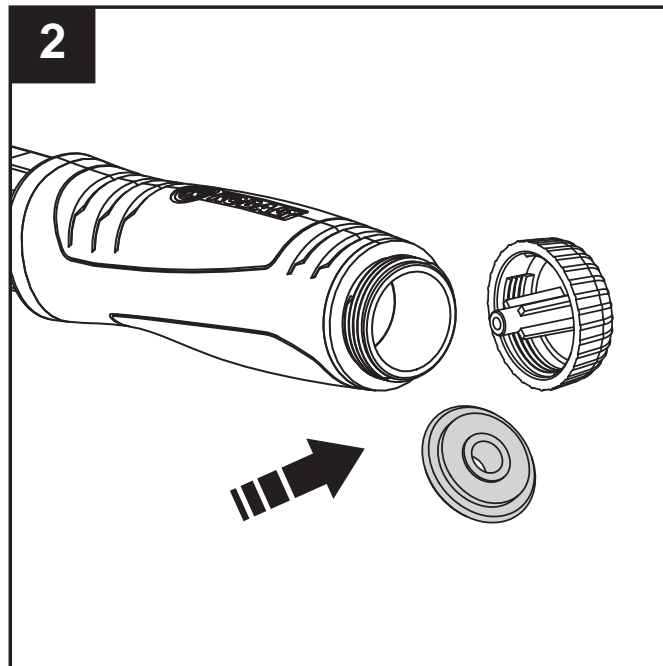
### WARNING

Always wear eye protection which complies with current ANSI Standards Z87.1. Always disconnect power source before using tools on electrical boxes, fittings or any workpiece that may conduct electricity. Electric shock or electrocution could result.

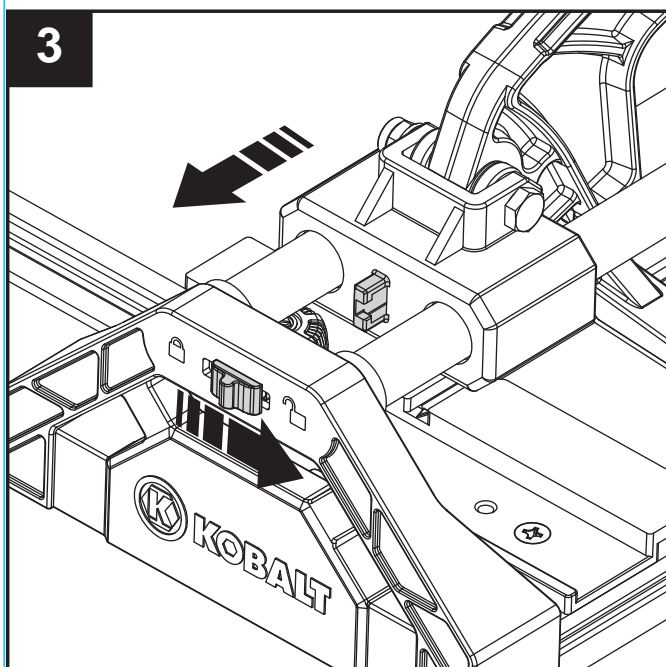
## OPERATING INSTRUCTIONS



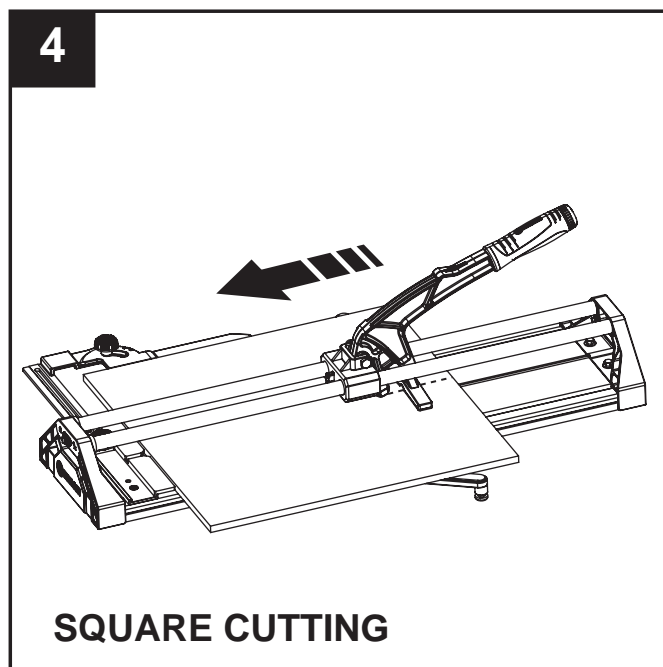
1. Position the extension arms, side rule (release knob A) and angle guide (release knob B) as desired to support stable positioning of tile (not included) for scoring.



2. A spare cutting wheel (sold separately, Item #845102 ) can be stored inside the grip handle.



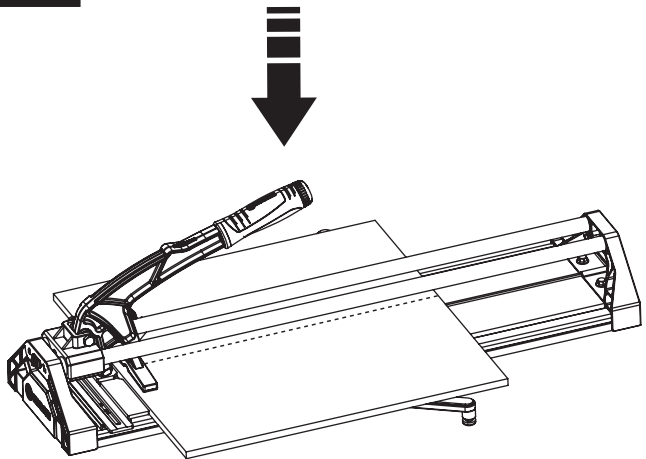
3. There is a lock on the front support (unlock it to release the grip handle before start using) which will hook the grip handle during movement of the tile cutter to avoid any sliding and impact.



4. Mark the tile to be cut at proper width. Position the tile at 90°, then, using proper pressure, score the tile one time from rear edge to front edge.

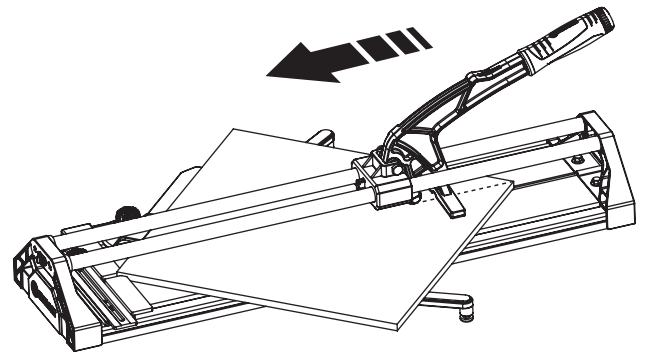
## OPERATING INSTRUCTIONS

5



5. Align the breaker bar with tile front edge, then press the grip handle.

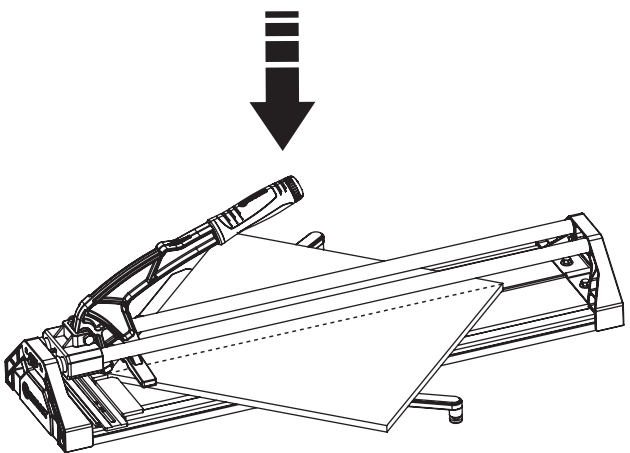
6



### DIAGONAL CUTTING

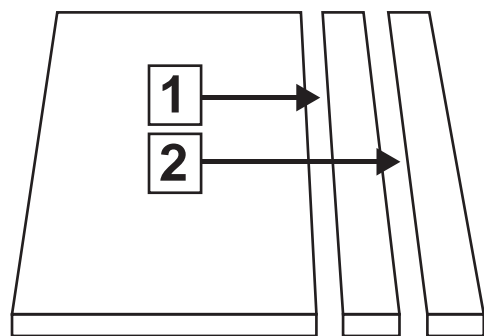
6. Position the tile at 45°, then, using proper pressure, score the tile one time from rear corner to front corner.

7



7. Align the breaker bar with tile corner, then press the grip handle.

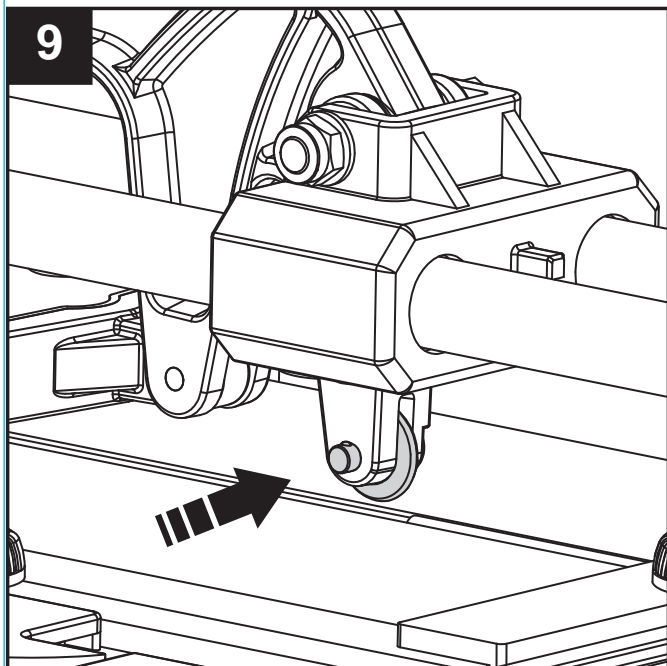
8



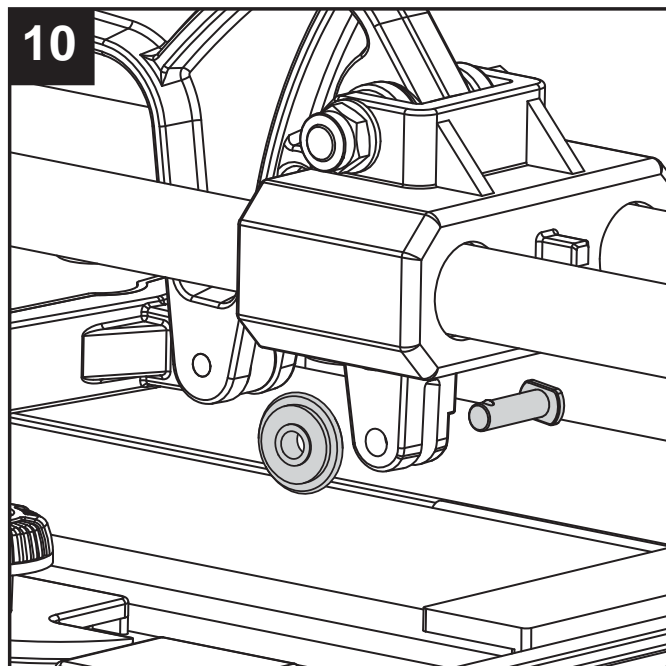
8. Cut the tile as shown.

## OPERATING INSTRUCTIONS

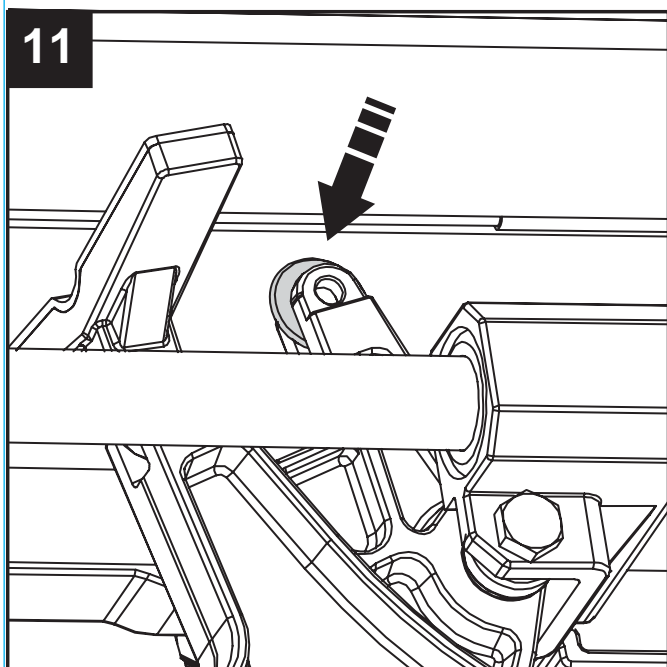
### REPLACING CUTTING WHEEL



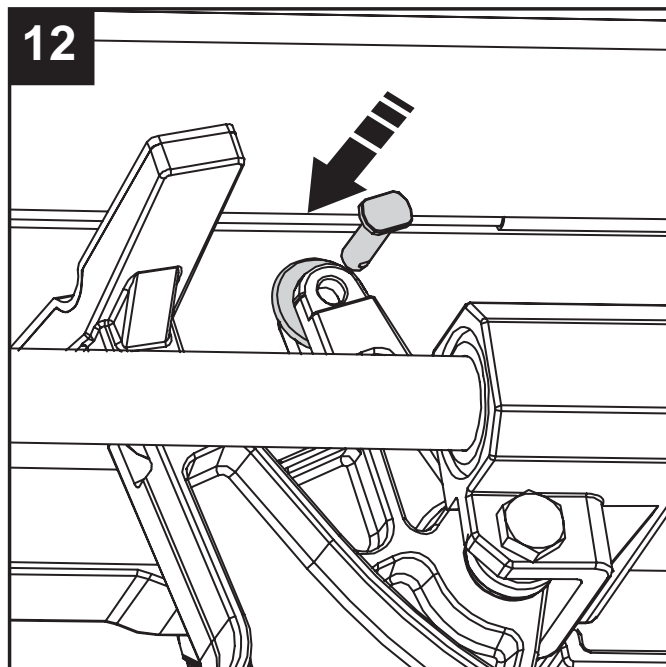
9. Push out the collar pin. The collar pin may require a strong push to be removed.



10. Remove the dulled cutting wheel.



11. Insert the new cutting wheel.



12. Replace the collar pin.

## CARE AND MAINTENANCE

1. Oil should not be used on this tile cutter. Use of oil will cause eventual gumming and sticking of the movable parts as the oil combines with dirt and ceramic tile dust. Use a soft dry cloth to clean the rails after each use.
2. Wear is normal in the rails and can be evenly distributed by occasional rotation of each of the two rails.
3. The only part that will routinely need replacement is the cutting wheel.
4. Brush away all debris from the base of the cutter before making the next cut.

## TROUBLESHOOTING

PROBLEM	POSSIBLE CAUSE	CORRECTIVE ACTION
Tiles not being scored well.	<ol style="list-style-type: none"><li>1. Cutting wheel has dulled.</li><li>2. Multiple passes made on the tile.</li></ol>	<ol style="list-style-type: none"><li>1. Replace the cutting wheel. Replace with Item #845102 (sold separately).</li><li>2. Score the tile one time from rear to front edge.</li></ol>
Grip handle not gliding smoothly.	Dust accumulation.	Clean rail bars with dry cloth.

## 3-YEAR HASSLE-FREE WARRANTY

This product carries 3-year hassle-free warranty. If the product is found to be defective, please call 1-888-356-2258, 8 a.m. - 8 p.m., EST, Monday - Friday, or return the item to the place of purchase with a copy of the original sales receipt. The distributor will, at its option, repair or replace the product. This warranty gives you specific legal rights, and you may have other rights that vary from state to state. Excludes blade.