

ITEM #0667536

styleselections®

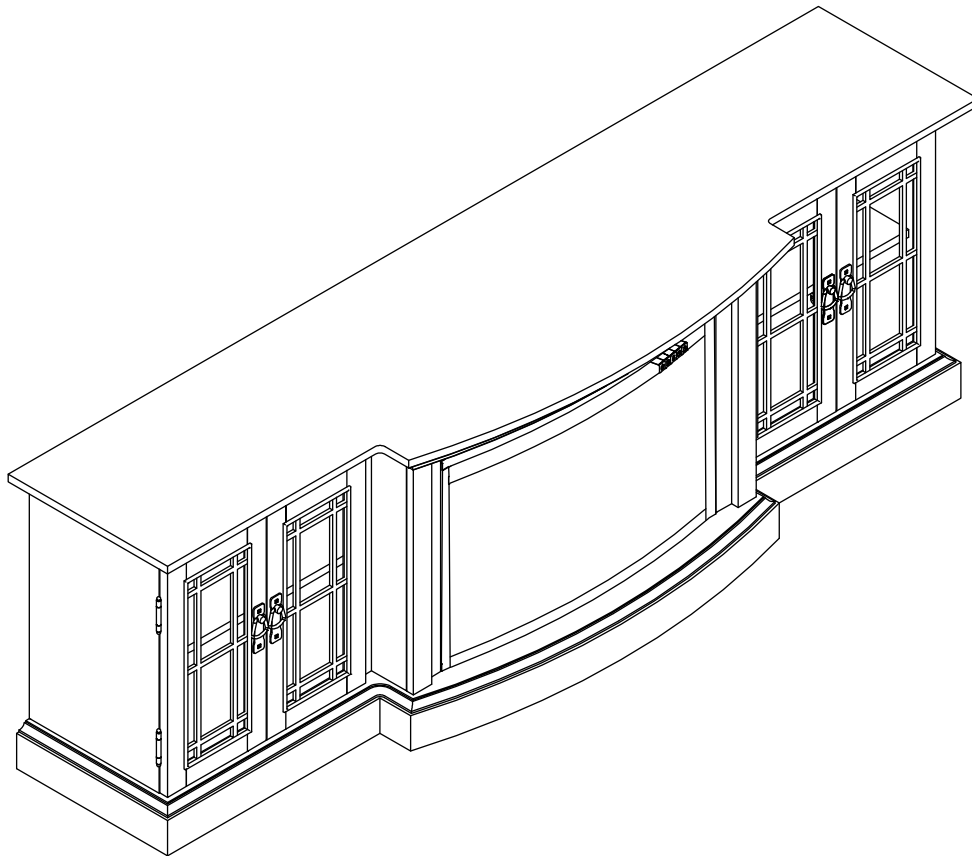
ELECTRIC FIREPLACE WITH MEDIA MANTEL

Style Selections® is a registered trademark
of LF, LLC. All Rights Reserved.

MODEL #1009FM-78-211

Français p. 18

Español p. 35



ATTACH YOUR RECEIPT HERE

Serial Number _____ **Purchase Date** _____

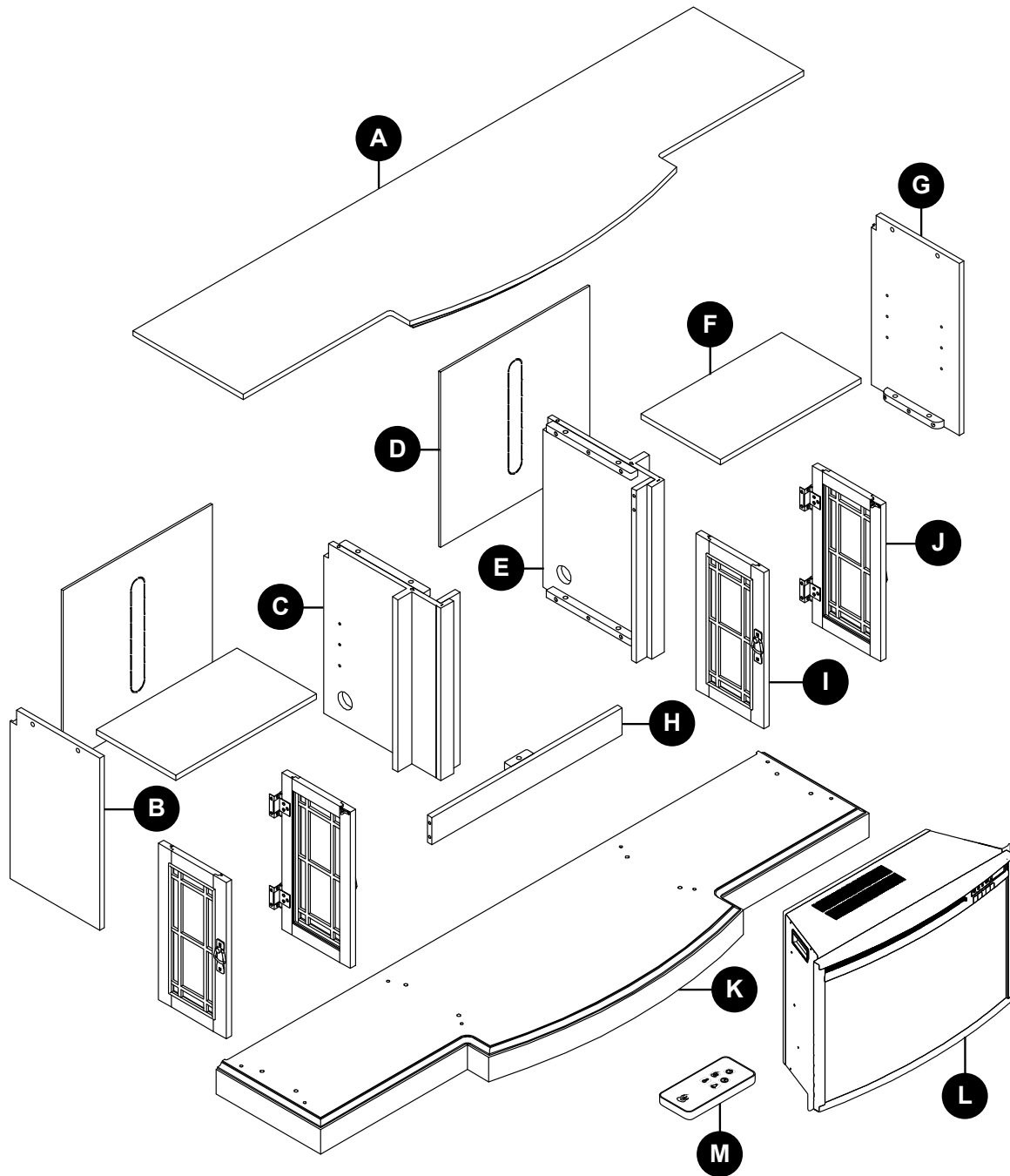
Questions, problems, missing parts? Before returning to your retailer, call our customer service department at 1-877-888-8225, 8 a.m. - 8 p.m., EST, Monday - Friday.

EB15216

Lowes.com

styleselections®

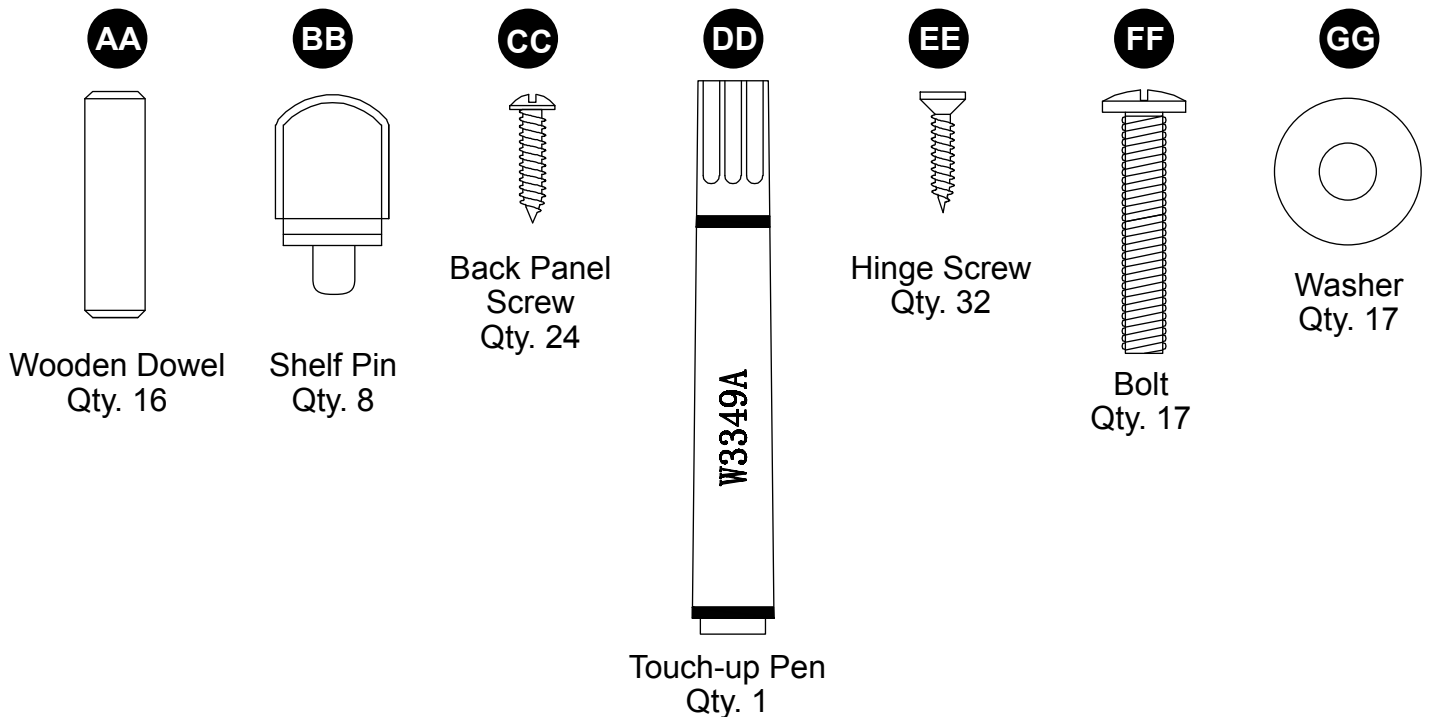
PACKAGE CONTENTS



PART	DESCRIPTION	QUANTITY
A	Top	1
B	Left Wall	1
C	Left Middle Wall	1
D	Back Panel	2
E	Right Middle Wall	1
F	Wood Shelf	2
G	Right Wall	1

PART	DESCRIPTION	QUANTITY
H	Center Panel	1
I	Left Door	2
J	Right Door	2
K	Base	1
L	Insert	1
M	Remote Control	1

HARDWARE CONTENTS (shown actual size)



SAFETY INFORMATION

Please read and understand this entire manual before attempting to assemble, operate or install the product.

This equipment has been tested and found to comply with the limits for Class B digital devices, pursuant to part 15 of the FCC rules. These limits are designed to provide reasonable protection against harmful interference in a residential installation. The equipment generates, uses and can radiate radio frequency energy and, if not installed and used in accordance with the instructions, may cause harmful interference to radio or television reception, which can be determined by turning the equipment off and on. The user is encouraged to try and correct the interference by one or more of the following measures:

- Reorient or relocate the receiving antenna
- Increase the separation between the equipment and the receiver
- Connect the equipment into an outlet on a circuit different from that to which the receiver is connected.
- Consult the dealer or an experienced radio/TV technician for help.

This device complies with Part 15 of the FCC rules. Operation is subject to the following two conditions:

1. This device may not cause harmful interference, and
2. This device must accept any interference received, including interference that may cause undesired operation.

Modifications not approved by the party responsible for compliance could void user's authority to operate the equipment.

This Class B digital apparatus complies with Canadian ICES-003.

IMPORTANT INSTRUCTIONS

When using electrical appliances, basic precautions should always be followed to reduce the risk of fire, electric shock and injury to persons, including the following:

DANGER

- If the information in this manual is not followed exactly, an electric shock or fire may result causing property damage, personal injury or loss of life.
- This product is intended to fit most plasma and LCD televisions (up to 80 inches and weighing a maximum of 65 pounds). Using this item with loads heavier than the stated maximum can result in tipping and/or instability, which can result in injury or even death.

WARNING

- This appliance is hot when in use. To avoid burns, **DO NOT** let bare skin touch hot surfaces. Keep combustible material, such as furniture, pillows, bedding, papers, clothes and curtains at least 3 feet from this appliance.
- Extreme caution is necessary when any heater is used by or near children or individuals with disabilities and whenever the fireplace is left operating and unattended.
- **DO NOT** run cord under carpeting. **DO NOT** cover cord with throw rugs, runners, or similar covering. Arrange cord away from traffic areas and where it will not be tripped over.
- **DO NOT** insert or allow foreign objects to enter any ventilation or exhaust opening as this may cause an electric shock or fire, or damage the appliance.
- This appliance has hot and arching or sparking parts inside. **DO NOT** use it in areas where gasoline, paint or flammable vapors or liquids are used or stored. This fireplace should not be used as a drying rack for clothing. Christmas stockings or decorations should not be hung in the area of it.
- Use this appliance only as described in the manual. Any other use is **NOT** recommended by the manufacturer and may cause fire, electric shock or injury to persons.

CAUTION

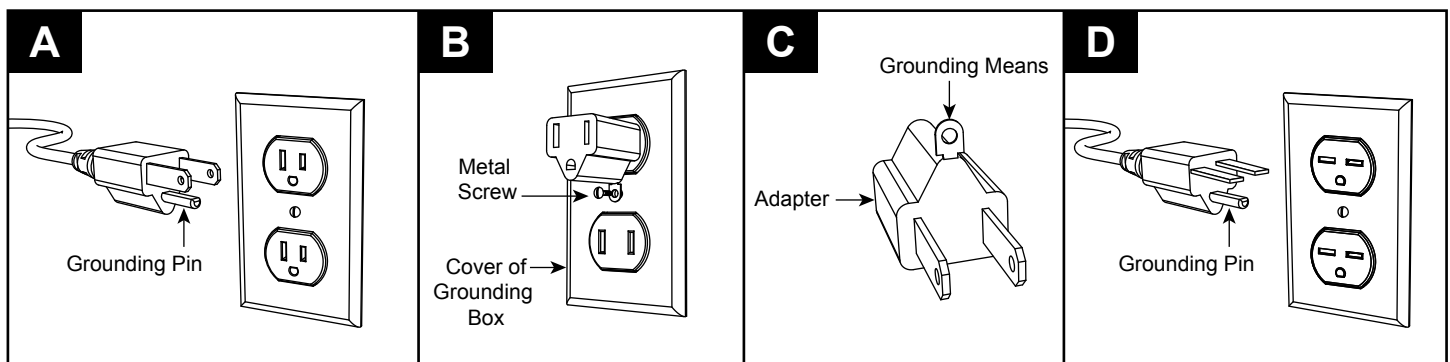
- If possible, **ALWAYS** unplug this appliance when not in use.
- **DO NOT** operate any heater with a damaged cord or plug or after the heater malfunctions. **DO NOT** operate any heater if it has been dropped or damaged in any manner. Disconnect power at service panel and have heater inspected by a reputable electrician before reusing.
- Any repairs to this fireplace should be carried out by a qualified service person.
- Under no circumstances should this fireplace be modified. Parts having to be removed for servicing must be replaced prior to operating this fireplace again.
- **DO NOT** use outdoors.
- This heater is not intended for use in bathrooms, laundry areas and similar indoor locations. **NEVER** place heater where it may fall into a bathtub or other water container.
- To disconnect this appliance, turn controls to the off position, then remove plug from outlet.
- **ONLY** connect to properly grounded outlets.
- This appliance, when installed, must be electrically grounded in accordance with local codes, with the current CSA C22.1 Canadian Electrical Code or follow U.S.A. Installations, follow local codes and the National Electrical Code, ANSI/NFPA N0.70.
- To prevent a possible fire, **DO NOT** block air intakes or exhaust in any manner. **DO NOT** use on soft surfaces, like a bed, where opening may become blocked.
- The heaters **MUST NOT** be located immediately below a socket-outlet.
- **ALWAYS** plug heaters directly into a wall outlet/receptacle. **NEVER** use with an extension cord or re-loadable power tap (outlet / power strip).

SAFETY INFORMATION

- **DO NOT** slide insert on top of wood to avoid scratching wood surface.
- **DO NOT** place any objects on top of insert and top air intake vents as this will cause unit to overheat and can cause a fire.
- Non-rechargeable batteries are not to be recharged. Exhausted batteries are to be removed from the product.

Electrical Connection

- A 15-Amp, 120-volt, 60 Hz circuit with a properly grounded outlet is required. Preferably, the fireplace will be on a dedicated circuit as other appliances on the same circuit may cause the circuit breaker to trip or the fuse to blow when the heater is in operation. The unit comes standard with 6-ft. three-wire cord, exiting from the rear of the fireplace. **DO NOT** exceed the current rating of the current tap. **ALWAYS** plug heaters directly into a wall outlet/receptacle. **NEVER** use with an extension cord or relocatable power tap (outlet/power strip).
- This heater is for use on 120 volts. The cord has a plug as shown below. See illustration for grounding instruction. An adapter as shown at C is available for connecting three-blade grounding type plugs to two-slot receptacles. The green grounding plug extending from the adapter must be connected to a permanent ground such as a properly grounded outlet box. The adapter should not be used if a three-slot grounded receptacle is available.



SAVE THESE INSTRUCTIONS

PREPARATION

Before beginning assembly of product, make sure all parts are present. Compare parts with package contents list and hardware contents list. If any part is missing or damaged, do not attempt to assemble the product.

Estimated Assembly Time: 45 minutes

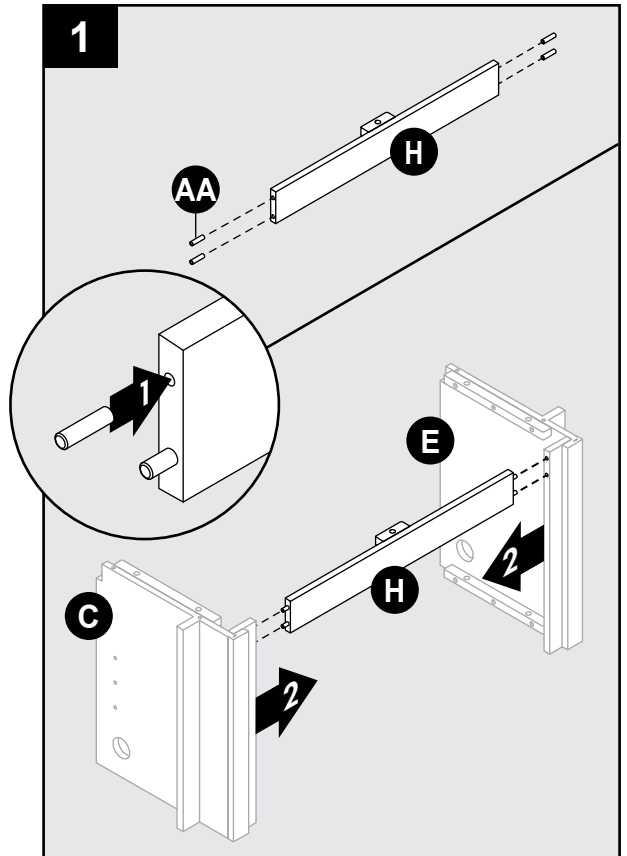
Tools Required for Assembly (not included): Phillips screwdriver

ASSEMBLY INSTRUCTIONS

1. Insert two wooden dowels (AA) into each end of center panel (H). Position center panel (H) between left middle wall (C) and right middle wall (E).

Hardware Used

AA Wooden Dowel  x 4

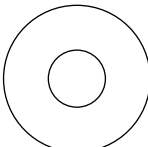


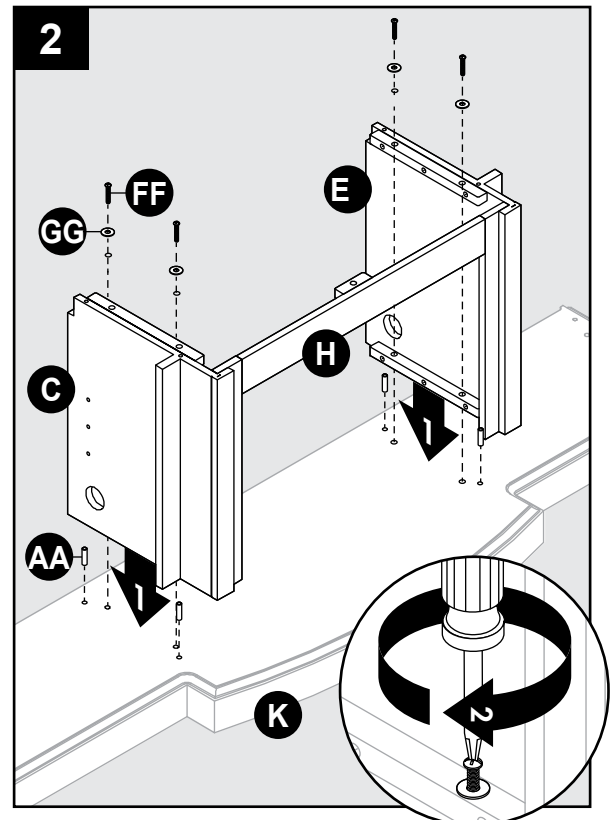
2. Insert four wooden dowels (AA) into base (K). Place assembly from Step 1 onto base (K), securing with four washers (GG) and bolts (FF).

Hardware Used

AA Wooden Dowel  x 4

FF Bolt  x 4

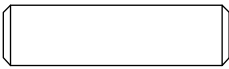
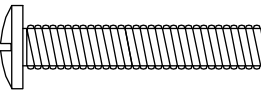
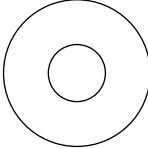
GG Washer  x 4

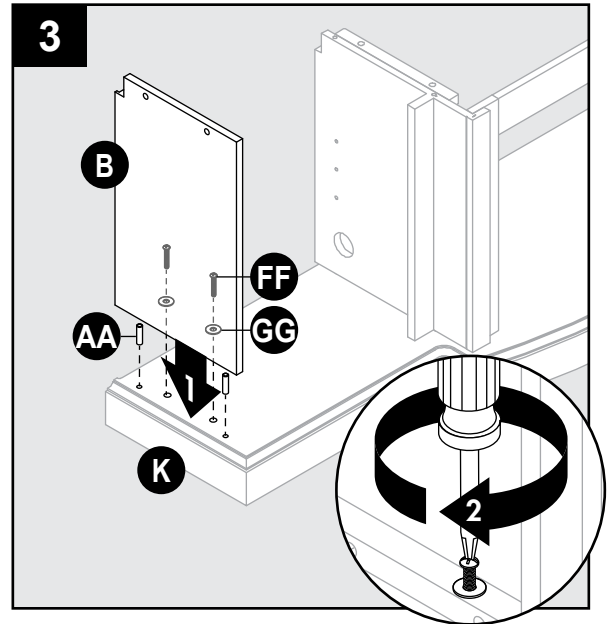


ASSEMBLY INSTRUCTIONS

3. Insert two wooden dowels (AA) into outer holes on left side of base (K). Attach left wall (B), securing with two washers (GG) and bolts (FF).


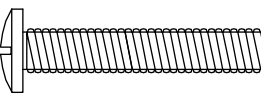
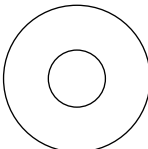
Hardware Used

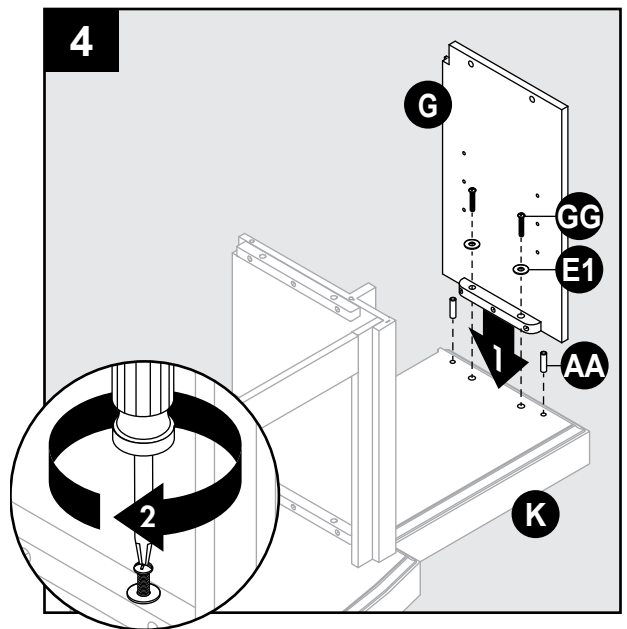
AA	Wooden Dowel		x 2
FF	Bolt		x 2
GG	Washer		x 2

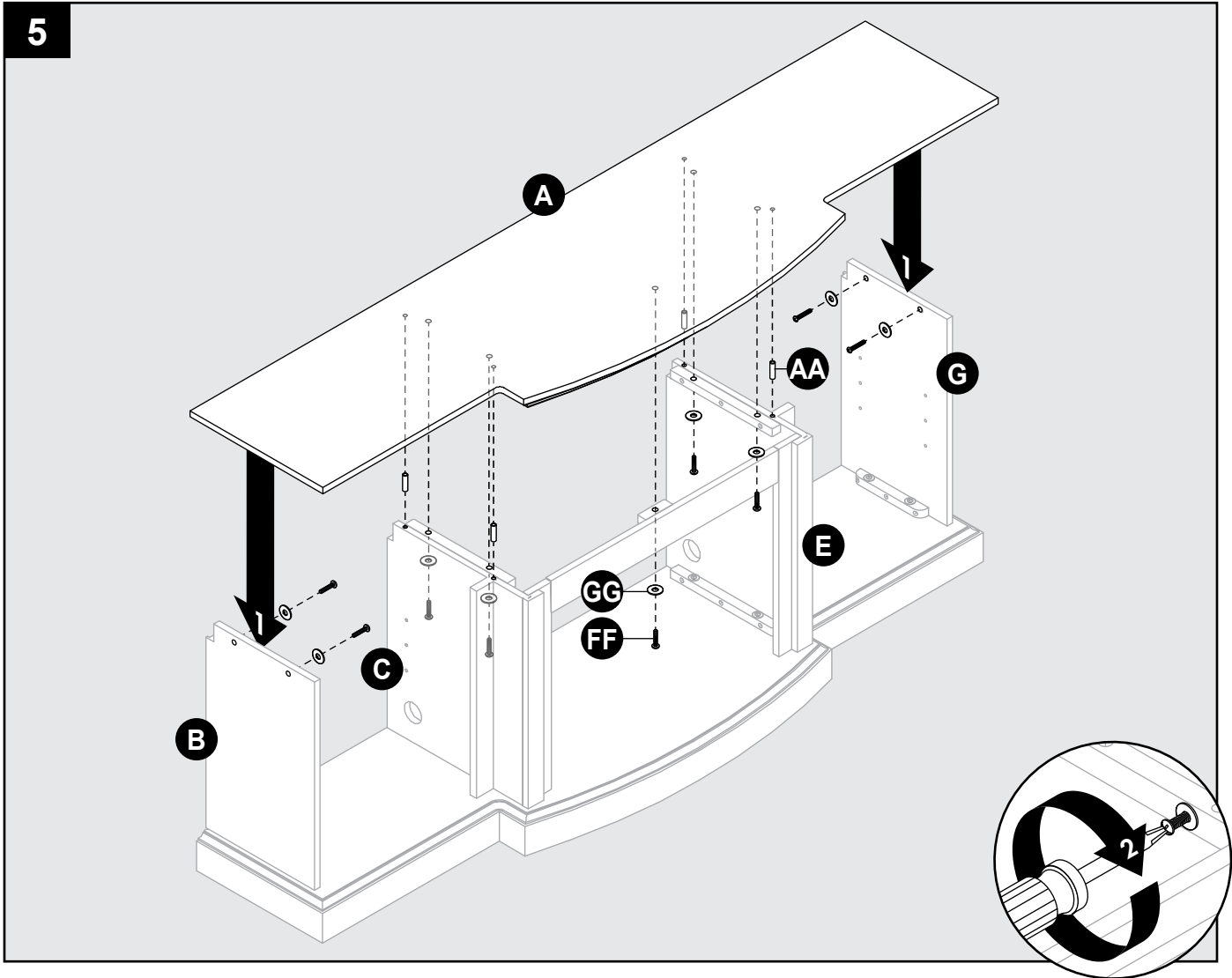


4. Repeat Step 4 for right wall (G).

Hardware Used


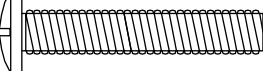
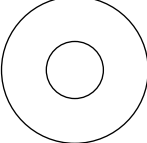
AA	Wooden Dowel		x 2
FF	Bolt		x 2
GG	Washer		x 2





5. Insert two wooden dowels (AA) into the top outer holes on left middle wall (C) and right middle wall (E). Attach top (A), securing from underneath with five washers (GG) and bolts (FF). Then, secure left wall (B) and right wall (G) to top (A) using four washers (GG) and four bolts (FF).

Hardware Used

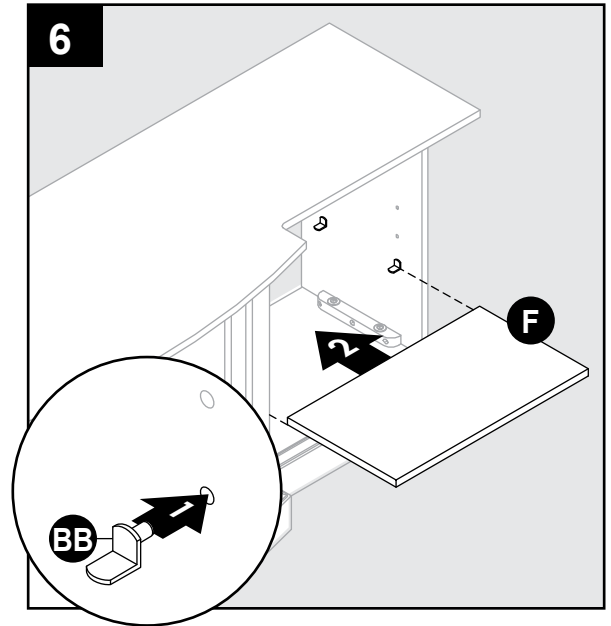
AA	Wooden Dowel		x 4
FF	Bolt		x 9
GG	Washer		x 9

ASSEMBLY INSTRUCTIONS

6. Insert shelf pins (BB) at desired height, ensuring they are level. Place wood shelf (F) on top of shelf pins (BB).

Repeat on the other side with remaining wood shelf (F).

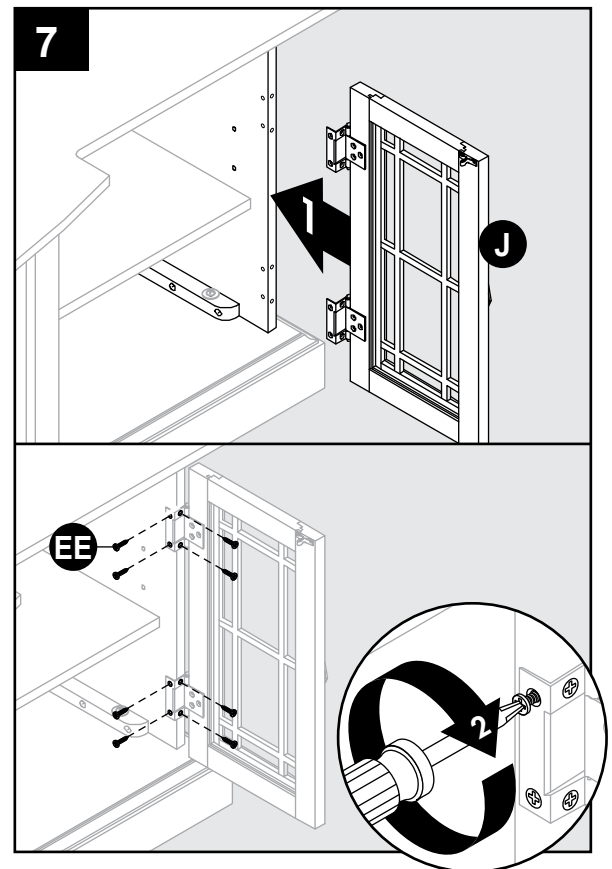
Hardware Used



7. Align the holes of the preassembled hinges on right door (J) with the corresponding holes on right wall (G) and left middle wall (C). Attach right doors (J) using four hinge screws (EE) each.

Repeat this step on left wall (B) and right middle wall (E) for left doors (I).


Hardware Used

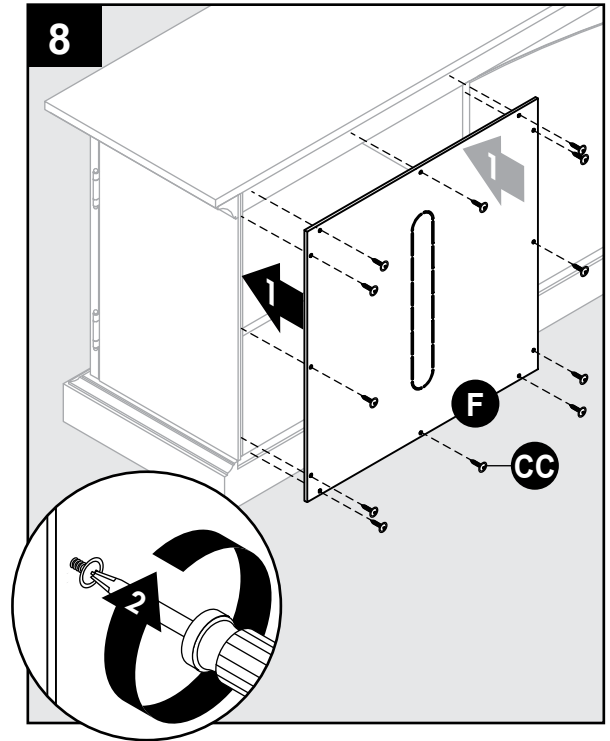


ASSEMBLY INSTRUCTIONS

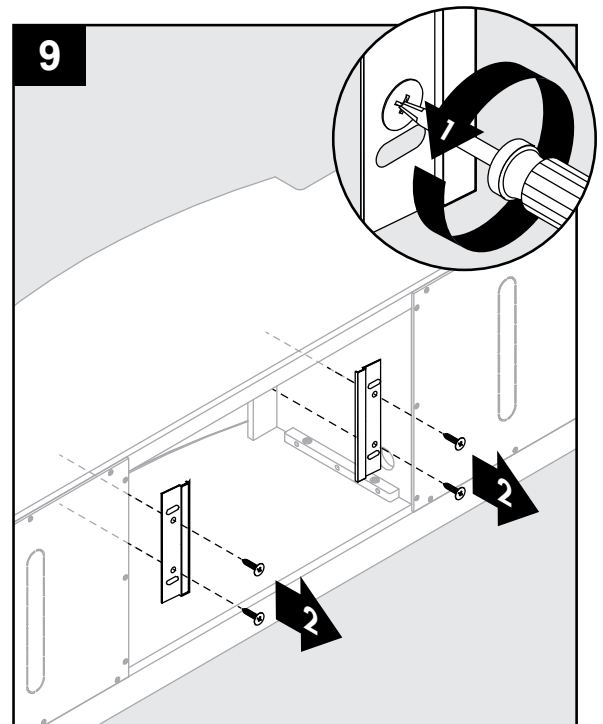
8. From behind the assembly, attach back panels (D) to shelving areas using back panel screws (CC).

Hardware Used

CC Back Panel Screw  x 24



9. Still from behind the assembly, remove the preassembled insert brackets from the middle area. Save brackets and screws for future use.



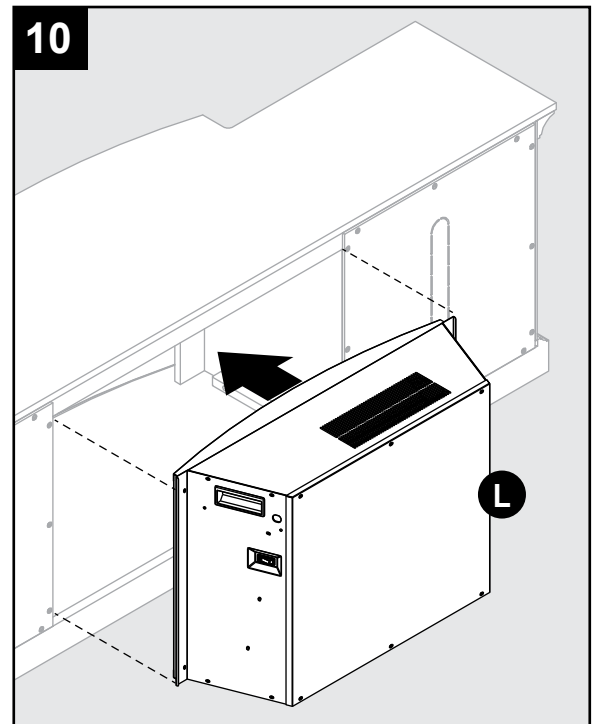
ASSEMBLY INSTRUCTIONS

Note: Before proceeding to the next step, with the help of another person, move the mantel close to the final desired location.

10. With the help of another person, position insert (L) into middle opening of mantel assembly.

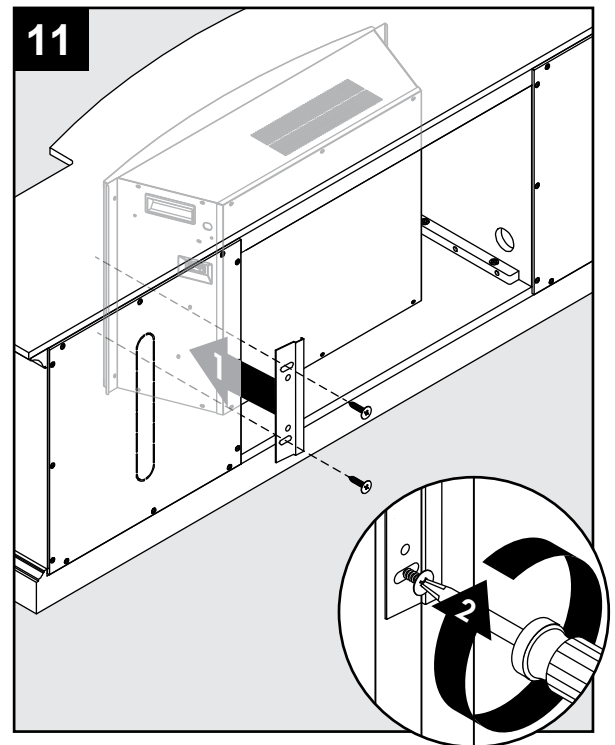
Note: **DO NOT** plug insert (L) into outlet yet.

CAUTION: **DO NOT** slide insert on top of wood to avoid scratching wood surface.

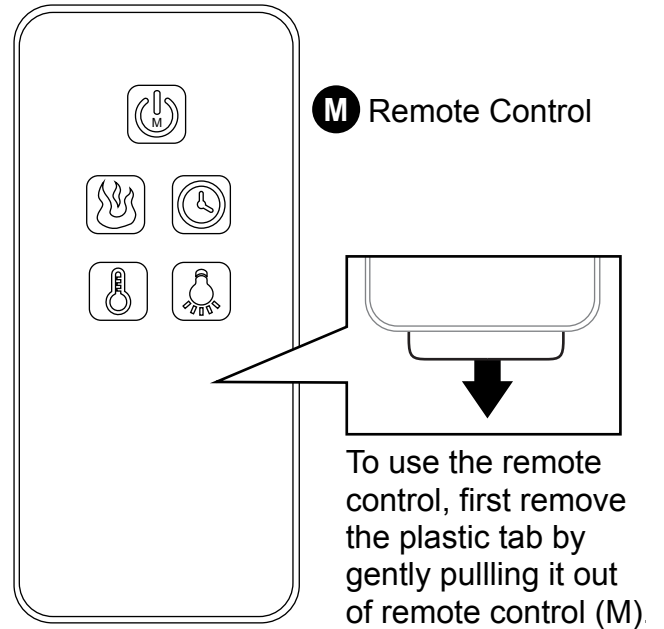
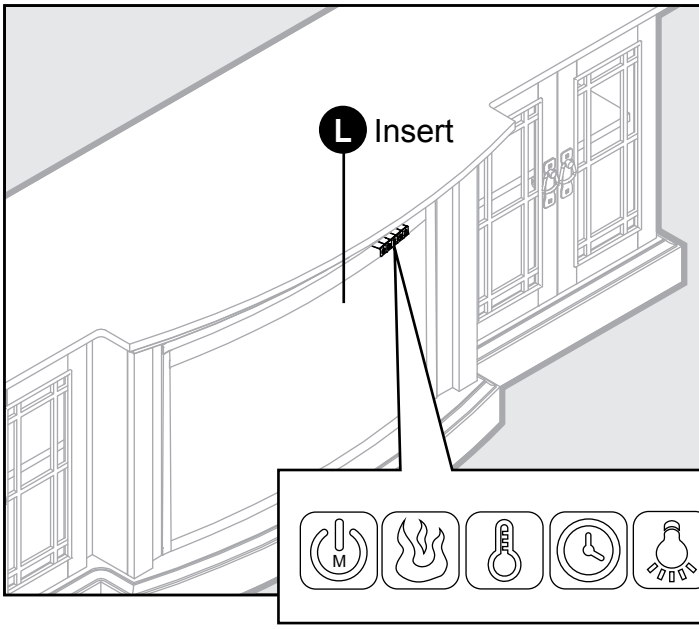


11. Re-attach insert brackets with previously removed screws to secure insert (L).

Assembly is now complete. With the help of another person, move the assembly to the final desired location.



OPERATING INSTRUCTIONS



Power Button

- Press the power button to turn the main power to the unit ON or OFF.
- When the unit is turned ON, the lights under the emberbed will light to indicate the unit has power.



Flame Brightness Button

- If the unit is powered OFF, you can press the flame brightness button to power ON the unit. The emberbed will glow at the lowest brightness setting unless a different setting was saved in the memory.
- Press the button again to scroll through the flame brightness settings, 1 (lowest) through 5 (brightest).



Temperature Button

- The temperature button controls the heater thermostat.
- If the unit is powered OFF, you can press the temperature button to power ON the unit. The emberbed will glow at the lowest brightness setting unless a different setting was saved in the memory.
- Press the temperature button again to scroll through the pre-set temperature settings:
 - Fahrenheit: 65, 70, 75, 80, 85, 90, OFF.
 - Celsius: 18, 21, 24, 27, 29, 32, OFF.
- Hold down the temperature button for 5 seconds to toggle between Fahrenheit and Celsius. A small “F” or “C” will display next to the temperature.

OPERATING INSTRUCTIONS



Timer Button

- The timer button should be used to set the countdown for the unit's main power.
- If the unit is powered OFF, you can press the timer button to power ON the unit. The embered will glow at the lowest brightness setting unless a different setting was saved in the memory.
- Press the timer button again to scroll through the timer settings: 30, 1h, 2h, 3h, 4h, 5h, 6h, 7h, 8h, 9h and OFF.
- When the timer reaches zero, it will turn OFF the main power and will maintain the other settings in memory.



Downlight Button

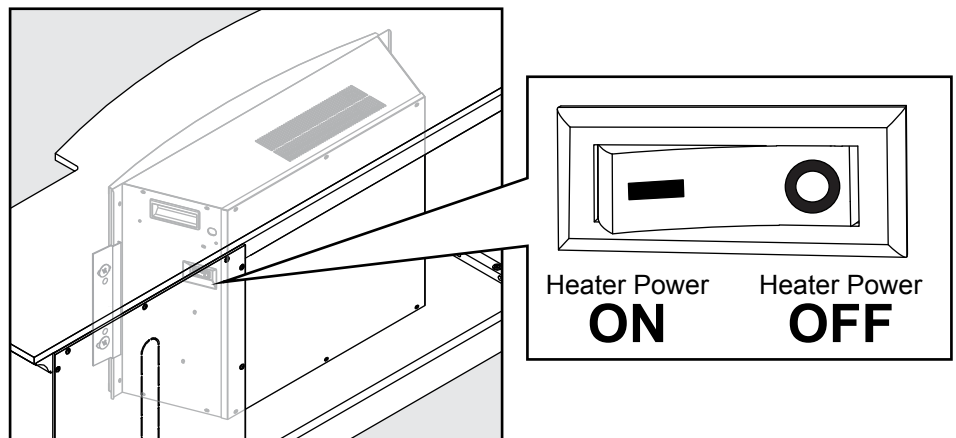
- The downlight button controls the LED downlights.
- If the unit is powered OFF, you can press the downlight button to power ON the unit. The embered will glow at the lowest brightness setting unless a different setting was saved in the memory.

Memory Function

- When the unit is powered OFF, all function settings (excluding timer) will be saved.
- When the unit is OFF, pressing the power button once on the insert control panel or on the remote control will turn the unit ON and "wake up" the saved function settings.
- When the unit is OFF, press any function button to "wake up" the individual function at the last saved setting. Press the button again to adjust it and press the main power button on the insert or on the remote control to turn the unit OFF and save the new setting into memory.
- When the unit is powered ON, the LED will show the saved temperature setting. If a temperature setting was not saved, it will show the flame brightness setting saved in memory. If neither one has a setting saved to memory, then only the embered will glow (as a power light indicator).
- To reset the memory, hold down the main power button for 5 seconds at any time. When this happens, the LED readout will blink with four zeros three times.
- Another way to reset the memory is to unplug the unit from the wall.

Heater Override Switch

This appliance has a rocker switch located on the side of the insert (L). This switch will override power to the heater to prevent the heater from being accidentally or unintentionally powered on. This feature is primarily added to help prevent children from powering on the heater when it is not desired.



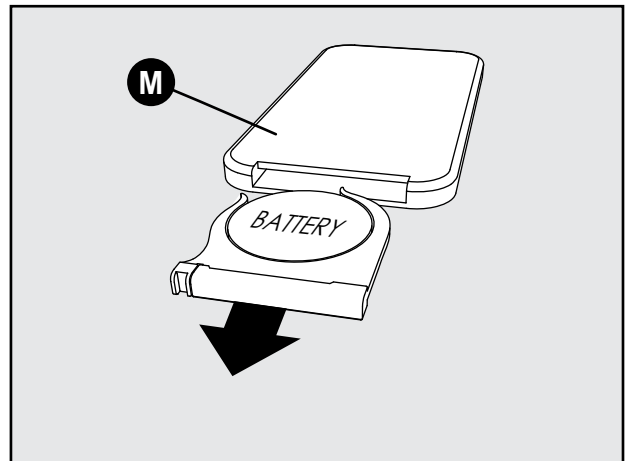
CARE AND MAINTENANCE

- Make sure the unit is turned OFF and unplugged whenever you are cleaning the heater or fireplace.
- Dust the fireplace regularly with a soft, non-lint producing cloth or household dusting product.
- Clean the fireplace with a gentle non-abrasive household cleaner. Make sure to dry the fireplace immediately with a soft cloth or towel.
- Tips for using touch-up pen (DD): For scratches, stroke in direction of scratch. For worn areas, stroke in the direction of wood grain. Rub excess colorant promptly with a soft cloth.
- The motors used on the fan and the flame generator assembly are pre-lubricated for extended bearing life and require no further lubrication. However, periodic cleaning/vacuuming of the fan/heater is recommended.

Replacing the Remote Control Battery

When the remote control (M) stops operating or its range seems reduced, it is time to replace the battery. **Note:** The battery should be removed if the product is to be left unused for a long time.

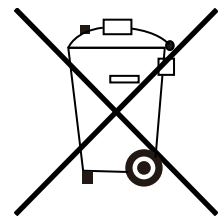
1. The battery compartment is located on the back end of the remote control (M).
2. Press the small tab inward as you slide the battery door open and remove the old battery.
3. Insert a new CR2025 lithium battery (not included), checking that the + and - sides of the battery match the inside of the battery compartment.
4. Re-insert the battery door.



Disposal of Used Battery

A battery may contain hazardous substances that could be endangering to environment and human health.

- This symbol marked on the battery and/or packaging indicates that used battery shall not be treated as municipal waste. Instead it shall be left at the appropriate collection point for recycling.
- By ensuring the used battery is disposed of correctly, you will help prevent potential negative consequences for the environment and human health. The recycling of materials will help to conserve natural resources.



For more information about collection and recycling of used batteries, please contact your local municipality, your waste disposal service or the point of sale where you purchased this point.

TROUBLESHOOTING

PROBLEM	POSSIBLE CAUSE	CORRECTIVE ACTION
Error E1 displayed on control panel.	The overheat sensor has been engaged.	Unplug unit, wait 5-10 minutes, then the sensor will reset itself. Plug the unit back in and turn on the heater. If the problem persists, call customer service. Note: The other functions will work normally excluding the heater. Until the problem is solved, the error will only appear/sound when the heater button is pressed.
Error E2 displayed on control panel.	The thermostat sensor is broken or not working correctly.	Unplug unit, wait 5-10 minutes, then the sensor will reset itself. Plug the unit back in and turn on the heater. If the problem persists, call customer service. Note: The other functions will work normally excluding the heater. Until the problem is solved, the error will only appear/sound when the heater button is pressed.
Error E3 displayed on control panel.	Heater override switch is on.	Locate heater override switch on back of unit and change position to off. Now the heater will work properly. (See page 13 for more information.)
No power; logs do not glow.	The unit does not have power.	Check that the power cord is securely plugged into a standard 120V outlet. Then check to make sure the unit is powered on.
No flame effect but logs are glowing.	The flame effect is powered off.	Push the flame brightness button until desired level is achieved.
Heater and blower do not power on but rest of functions are working.	Heater override switch is engaged.	Locate heater override switch on back of unit and change position to off. Now the heater will work properly. (See page 13 for more information.)
Power cord gets warm to the touch.	Normal operation.	This is normal for a heater appliance as it requires more current to operate. Check the connections of the appliance cord and the outlet. Make sure the plug fits tightly into the outlet. During use, check the plug and outlet frequently to determine if it is HOT; if so, discontinue use of the appliance and consult with a qualified electrician to check or change the overheating outlet(s).
Remote control does not work.	Weak or failing battery.	Replace with a new battery. (See page 14 for more information.)
Remote control signal is weak and only works sometimes.	Pressing the buttons too quickly.	Press the buttons slowly and steadily to ensure the transmitter recognizes the request.
	Using the remote control too far away or at an off angle.	Move closer to the insert; the remote control will only work within a distance of 20 feet and 45 degrees to either side from the front of the fireplace insert.
Fan motor continues to blow after unit is powered of.	Normal operation.	This is a standard feature; the blower runs for an additional minute to cool off heater tubes.

WARRANTY

This item is warranted by the manufacturer to be free of material and manufacturing defects for the time period of one year from the purchase date. This is subject to the following limitations and conditions:

This mantel must be installed and operated in accordance with the installation instructions that were provided with the product. Unauthorized repairs or alterations, accidents, willful abuse and misuse of the product will nullify this warranty.

This warranty is non-transferable and is offered to the original owner in so long as the product was purchased from a licensed and authorized supplier and re-seller of the product.

The warranty is limited to the repair or replacement of part(s) that have been determined to be defective in material or workmanship. This is provided that the part(s) have been subjected to "normal" conditions of use once the defect is agreed upon through the manufacturers inspection process.

Any costs or related expenses that have arisen from the transportation, construction, labor or otherwise of same that have arisen from repairs, replacement, defective part(s) or otherwise the same is not covered by this warranty, nor shall the manufacturer assume the cost.

The manufacturer may, at its discretion, fully discharge all obligations with respect to this warranty by refunding the wholesale price of defective part(s).

The owner/user assumes all other risks, if any, including the risk of any direct, indirect or consequential loss or damage arising out of use, or inability to use the product, except as provided by law. All other warranties -- expressed or implied -- with respect to the product, its components and accessories, or any obligations/liabilities on the part of the manufacturer are hereby expressly excluded.

The manufacturer neither assumes, nor authorizes any third party to assume on its behalf, any other liabilities with respect to the sale of the product.

The warranties as outlined within this document do not apply to non-accessories used in conjunction with the installation of this product.

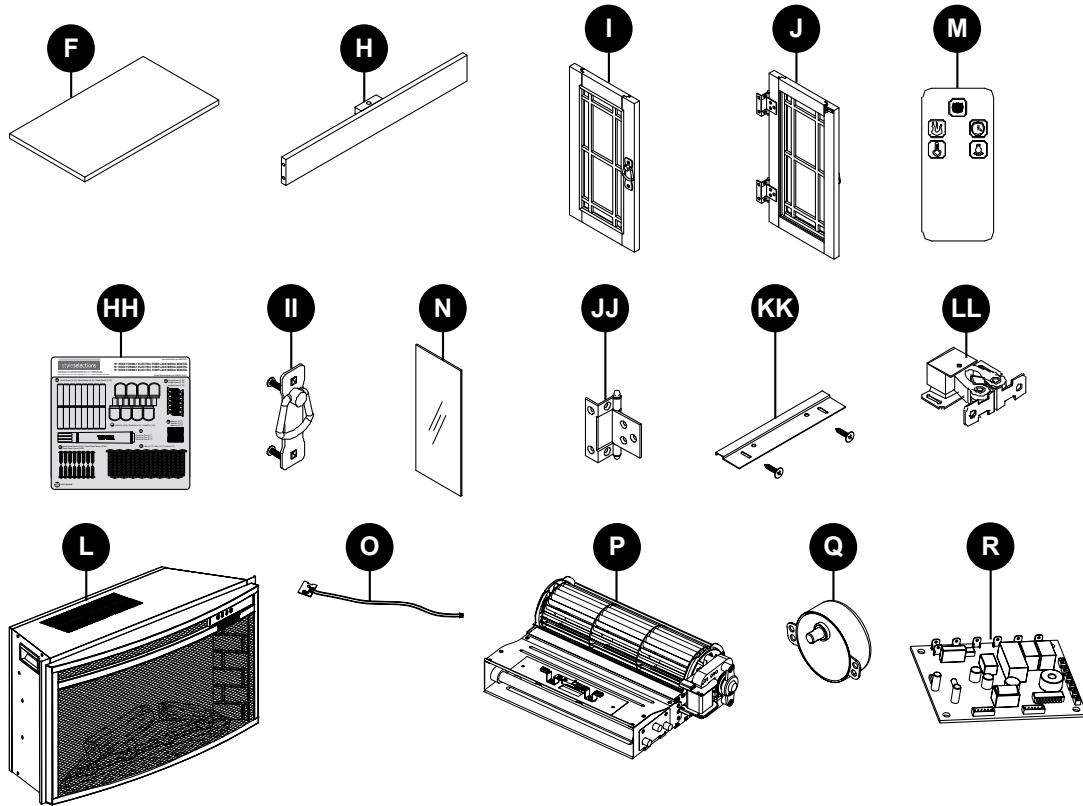
This warranty gives you specific legal rights, and you may also have other rights which vary from state to state.

This warranty is void if:

1. The fireplace is subjected to prolonged periods of dampness or condensation.
2. Any unauthorized alterations, willful abuse, accident, or misuse of the product.
3. You do not have the original receipt.

REPLACEMENT PARTS LIST

For replacement parts, call our customer service department at 1-877-888-8225, 8 a.m. - 8 p.m., EST, Monday - Friday.



PART	DESCRIPTION	PART #
F	Wood Shelf	PF-1009FM-78-211-001
H	Center Panel	PF-1009FM-78-211-002
I	Left Door (with hinges)	PF-1009FM-78-211-003
J	Right Door (with hinges)	PF-1009FM-78-211-004
L	Insert	2602-CM
M	Remote Control	2602-CM-R
N	Door Glass	PH-1009FM-78-007
O	Thermostat	2602-CM-P-001
P	Heater/Blower Assembly	2602-CM-P-002
Q	Spinner Motor	2602-CM-P-003
R	PCB Board	PH-1009FM-78-011

PART	DESCRIPTION	PART #
HH	Hardware Pack	PH-1009FM-78-005
II	Door Pulls (with screws)	PH-1009FM-78-006
JJ	Hinges (with screws)	PH-1009FM-78-008
KK	Insert Mounting Bracket (with screws)	PH-1009FM-78-009
LL	Door Roller Catch Assembly	PH-1009FM-78-010

Printed in China

Style Selections® is a registered trademark of LF, LLC. All Rights Reserved.

Lowes.com

styleselections