

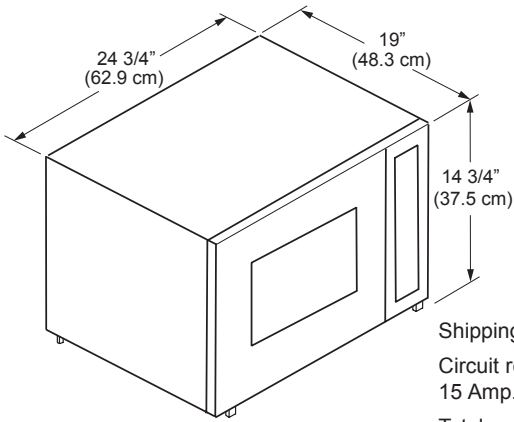
# DCM24, ACTK, AOCTK



## Convection Microwave Oven and Built-In Trim Kits

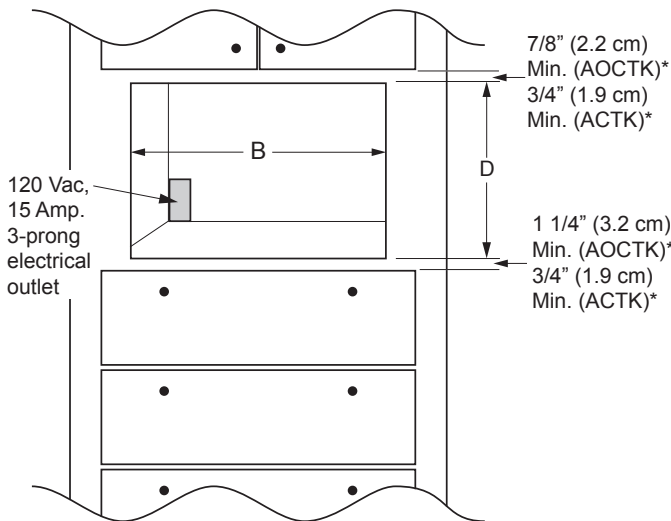
## PLANNING GUIDE

All tolerances: +1/16", -0, (+1.6 mm, -0) unless otherwise stated



Shipping weight: 60 lbs.  
 Circuit required: 120 Vac,  
 15 Amp. dedicated  
 Total connected load:  
 1.6 kW. (13 Amp.)

### DCM24 SPECIFICATIONS



### MICROWAVE INSTALLATION WITH BUILT-IN TRIM KIT

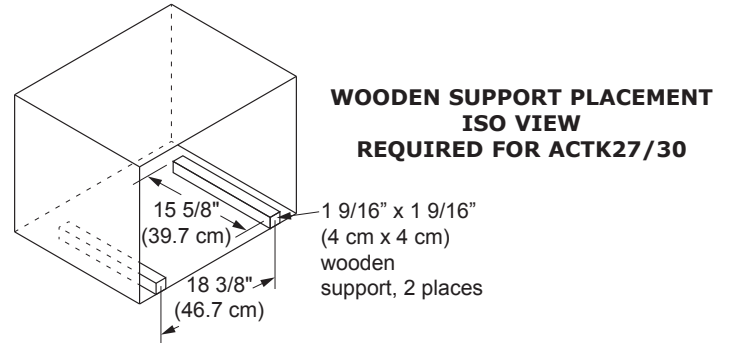
\*Minimum spacing: Includes additional space to avoid scraping/vibration.

### NOTES:

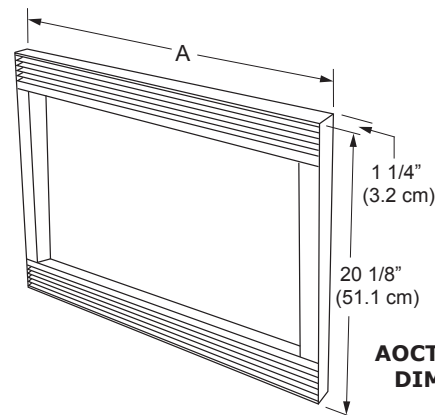
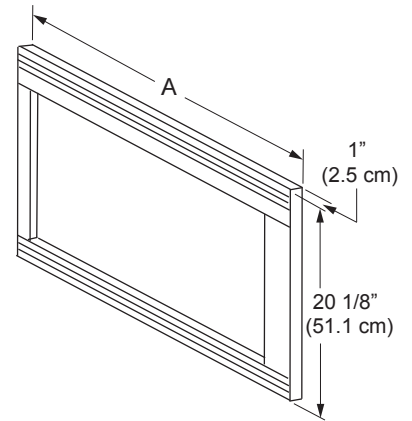
- Microwave is supplied with 42" (106.7 cm) power cord with a three prong grounding plug.
- 3/4" (1.9 cm) support platform (flush with cutout) required.
- 24" (61.0 cm) minimum interior cabinet depth required for ACTK and AOCTK built-in trim kits (20 1/8" for ACTK36).
- See the Combination Installation (CI) section if installing with a wall oven or warming oven.

### WARNING

- Observe all governing codes and ordinances during planning and installation. Contact your local building department for further information.
- This appliance must be installed in accordance with the accompanying installation instructions.



### ACTK OVERALL DIMENSIONS



### AOCTK OVERALL DIMENSIONS

Model No.		(A) Overall Width	(B) Cutout Width	(D) Cutout Height	Top Overlay	Bottom Overlay	Approximate Shipping Weight
ACTK27	For use with wall oven models: DO, EOR, MOR	27" (68.6 cm)	25 1/4" (64.1 cm)	19 1/8" (48.6 cm)	1/2" (1.3 cm)	1/2" (1.3 cm)	15 lbs.
ACTK30		30" (76.2 cm)	28 1/4" (71.8 cm)	19 1/8" (48.6 cm)			16 lbs.
ACTK36		36" (91.4 cm)	25" (63.5 cm)	19 1/8" (48.6 cm)			20 lbs.
AOCTK27	For use with wall oven models: EO, MO, PO	27" (68.6 cm)	25 1/4" (64.1 cm)	18 1/2" (47.0 cm)	5/8" (1.6 cm)	1" (2.5 cm)	19 lbs.
AOCTK30		30" (67.2 cm)	25 1/4" (64.1 cm)	18 1/2" (47.0 cm)			20 lbs.

Specifications subject to change without notice.

Install all appliances according to accompanying installation instructions.

www.Dacor.com

Phone: (800) 793-0093