

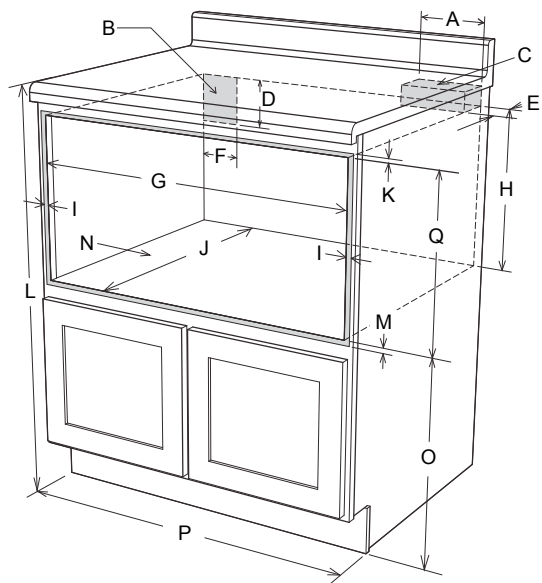
MMD30, MMDV30



30" Microwave In-A-Drawer™

PLANNING GUIDE

All tolerances: +1/16", -0, (+1.6mm, -0) unless otherwise stated



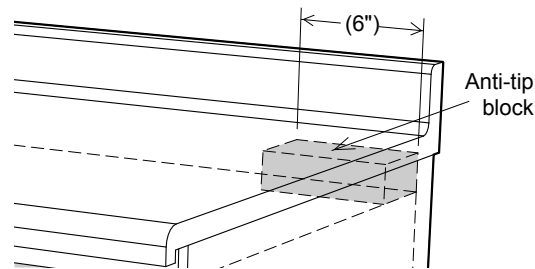
CUTOUT DIMENSIONS

- A. 6"
- B. Electrical outlet location
- C. Anti-tip block
- D. 5"
- E. 3 1/2"
- F. 4"
- G. 28 1/2" opening
- H. 14 3/4" to bottom of anti-tip block
- I. Allow 3/4" minimum overlap
- J. 23 1/2" minimum depth
- K. Allow 1/4" minimum overlap
- L. 36" nominal countertop height
- M. Allow 7/16" minimum overlap
- N. Floor must support 100 lbs. minimum
- O. 19" to top of floor (recommended)
- P. 30" cabinet minimum
- Q. 15 3/16" ± 1/16" opening

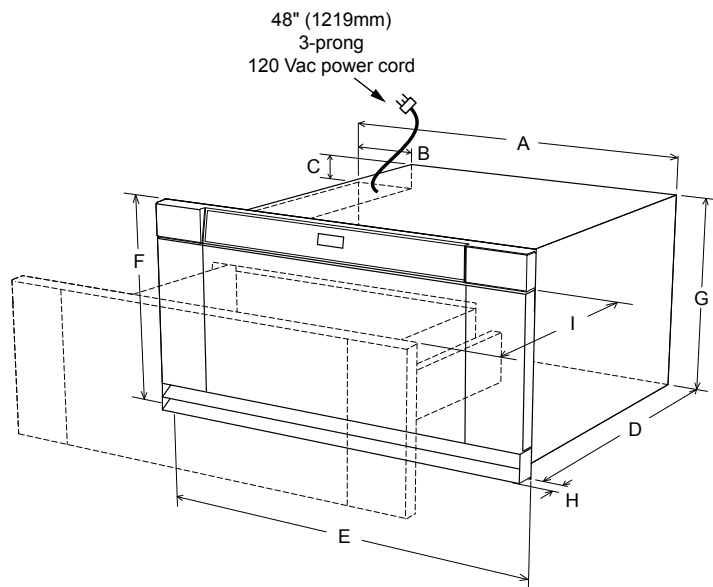
NOTE: Open top cabinet illustrated

WARNING

- ◇ Observe all governing codes and ordinances during planning and installation. Contact your local building department for further information.
- ◇ This appliance must be installed in accordance with the accompanying installation instructions.

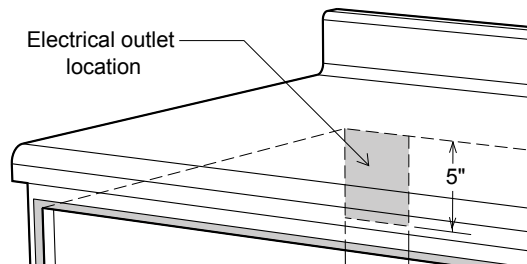


ANTI-TIP BLOCK LOCATION



- A. 28 5/16"
- B. 4 11/16"
- C. 2"
- D. 23 3/8"
- E. 30"
- F. 15 5/8"
- G. 15 1/16"
- H. 1" door thickness
- I. 15 1/4" auto drawer opening

OVERALL DIMENSIONS



ELECTRICAL UTILITY LOCATION

NOTES:

- 📄 Spacing between appliances and doors/drawers is minimum required to allow for ventilation and to prevent scraping. Additional space may be required for appearance.

Dedicated Circuit Required	Total Connected Load
120 Vac, 60 Hz, 15 Amp. 3-wire grounded, electrical outlet	13 Amp. @ 120 Vac, 60 Hz

ELECTRICAL SPECIFICATIONS