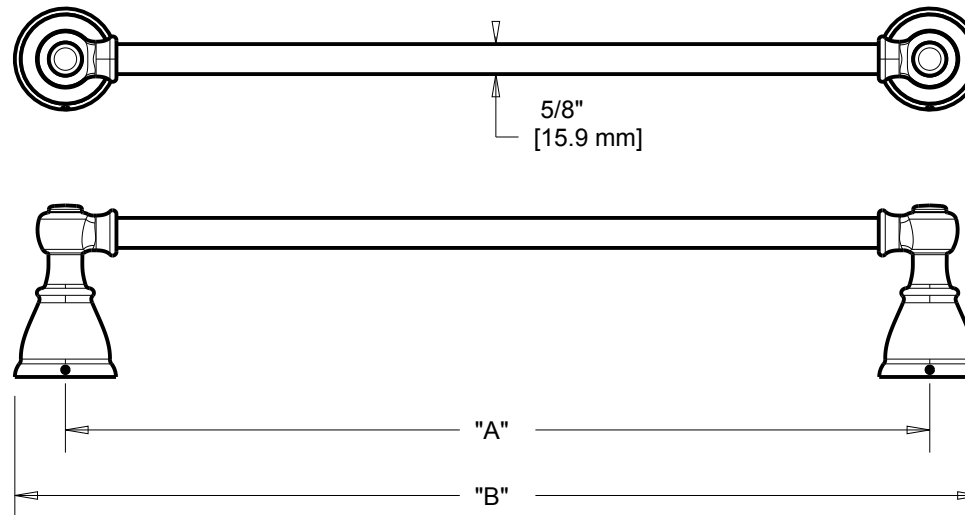
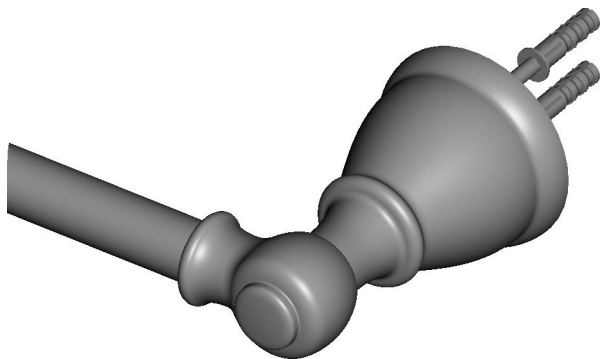


TECHNICAL DATA

WINDEMERE - SET SCREW

18",24",30" TOWEL BAR



MATERIALS: Post - Zinc Die Cast
Bar - Steel
Wall Plate - Steel, Zinc Plated

INSTALLATION: Mount wall plate bracket(s) per installation instructions with supplied fasteners. Slip product over wall plate(s) and tighten set screws until secure.

OPTIONAL FASTENER INFORMATION:

Wood blocking is preferable behind all wall surfaces. If wood blocking is not available, the following fasteners are suggested: Tile/Masonry - Plastic or Lead Anchors, Plaster/Drywall - Toggle Bolts.

SPECIFICATION: Surface mounted Towel bar shall be model _____
(fill in model number) by Liberty Hardware Manufacturing Corporation.

LENGTH	18" 457.2 mm	24" 609.6 mm	30" 762.0 mm
DIM "A"	18" 457.2 mm	24" 609.6 mm	30" 762.0 mm
DIM "B"	20 1/8" 510.7 mm	26 1/8" 663.1 mm	32 1/8" 815.5 mm



see what Delta can do