

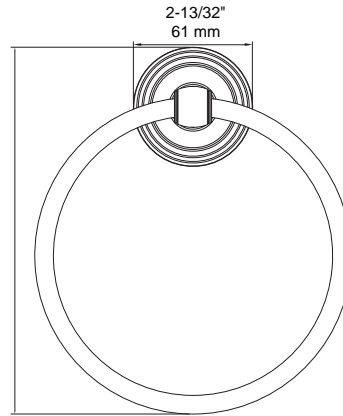
Windemere

TOWEL RING

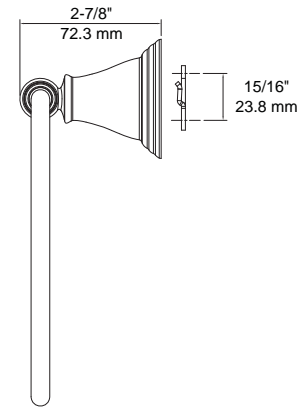
EASY CLIP™
INSTALLATION • INSTALLATION • INSTALACIÓN



7-3/8"
187.4 mm



2-13/32"
61 mm



2-7/8"
72.3 mm

15/16"
23.8 mm

MATERIALS:
Post - Zinc Die Cast
Ring - Steel Tubing
Wall Plate - Steel, Zinc Plated

INSTALLATION: Mount wall plate bracket(s) per installation instructions with supplied fasteners. Slip product over wall plate(s) and slide down to secure.

OPTIONAL FASTENER INFORMATION:
Wood blocking is preferable behind all wall surfaces. If wood blocking is not available, the following fasteners are suggested:
Tile/Masonry - Plastic or Lead Anchors, Plaster/Drywall - Toggle Bolts.

SPECIFICATION: Surface mounted towel ring shall be model _____
(fill in model number) by Liberty Hardware Manufacturing Corporation.



see what Delta can do™