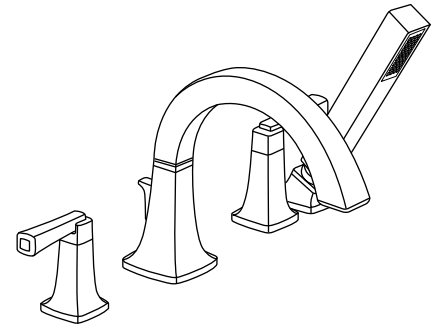


TOWNSEND®
DECK MOUNT BATH FILLER

7353.900
7353.901

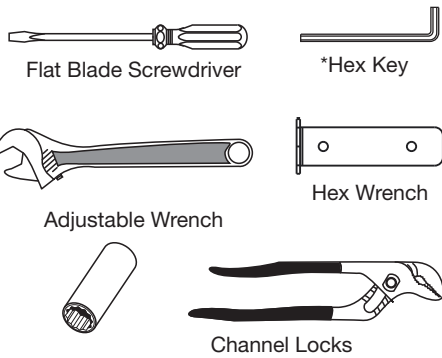
Thank you for selecting American Standard...
the benchmark of fine quality for over 100 years.

To ensure that your installation proceeds smoothly-please read
these instructions carefully before you begin.



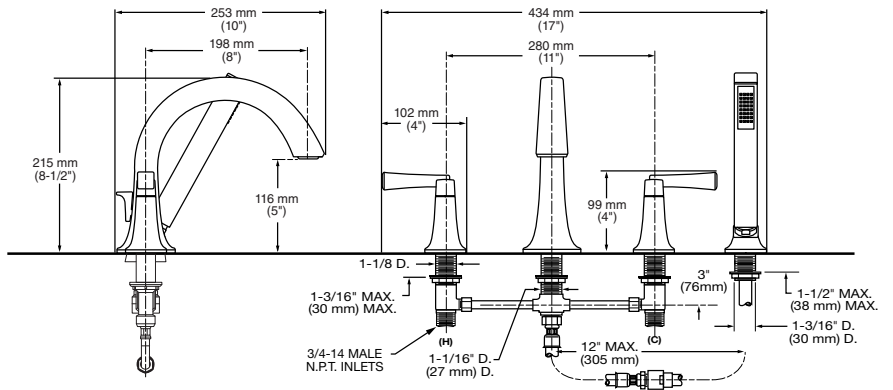
Certified to comply with ANSI A112.18.1M

RECOMMENDED TOOLS



*Supplied with Fittings

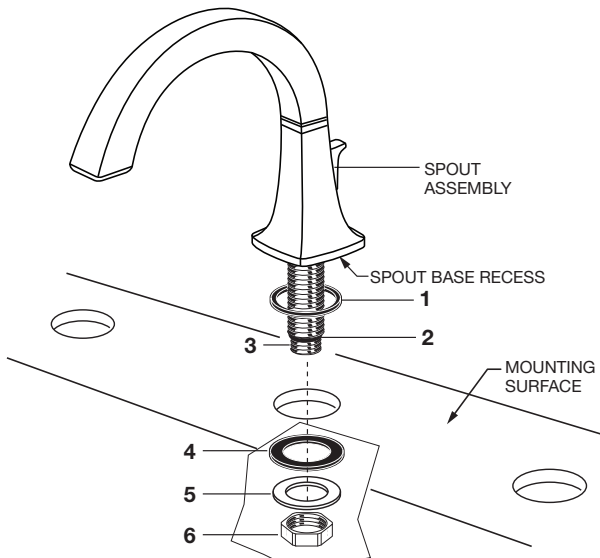
ROUGHING-IN DIMENSIONS



1 SPOUT ASSEMBLY

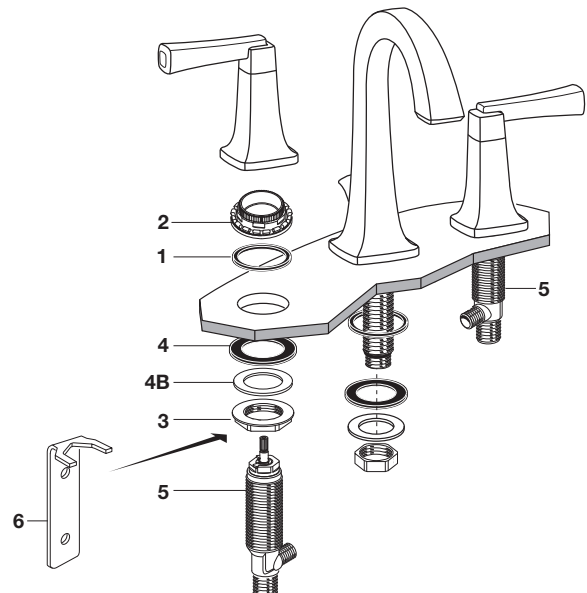
CAUTION Turn off hot and cold water supplies before beginning.

- Install RING WASHER (1) into spout base recess. Check that O-RING (2) on end of SPOUT SHANK (3) is in place. Insert SPOUT SHANK (3) through center hole on mounting surface.
- Assemble RUBBER WASHER (4) and BRASS WASHER (5) and LOCKNUT (6) onto SPOUT SHANK (3). Align SPOUT ASSEMBLY and from underside of ledge secure SPOUT ASSEMBLY into position with LOCKNUT (6) seated into RETAINING WASHER (5).



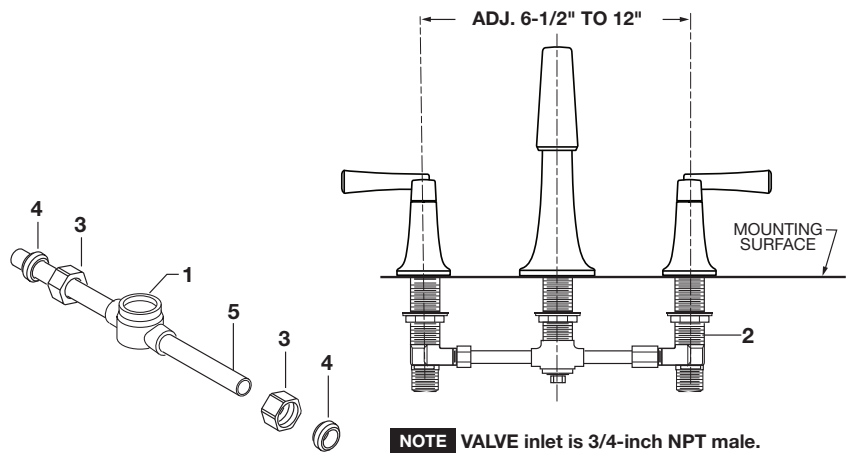
1b VALVE INSTALLATION

- Place RUBBER RING (1) into DECK ADAPTER (2).
- Install LOCKNUT (3), RUBBER WASHER (4) and FRICTION WASHER (4B) onto VALVE BODY (5). From under side of mounting surface, install VALVE BODY (5) through valve mounting hole. Threads of VALVE BODY (5) should extend at least 5/16 of an inch above mounting surface top. Thread DECK ADAPTER (2) onto VALVE BODY (5) until snug against internal stop. If necessary, adjust LOCKNUT (3). Tighten LOCKNUT (3) with WRENCH (6) supplied.



2 PREPARE TUBE AND TEE ASSEMBLY

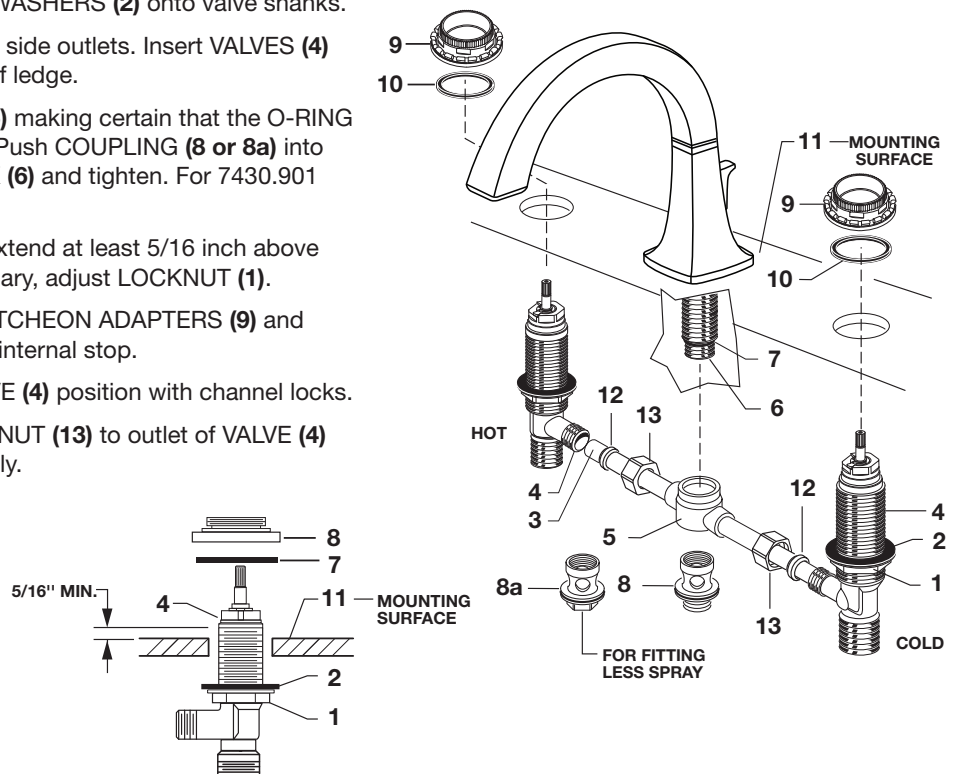
- Prepare TUBE and TEE ASSEMBLY (1) to fit center to center VALVE (2) location (between 6-1/2" and 12"). If necessary, cut and/or bend TUBING carefully. Make sure tube bend is close to the TEE (1) so that it will not effect the compression joint at the VALVE CONNECTION.
- Remove COUPLING NUT (3) and FERRULE (4) from each VALVE (2) and slide onto TUBING (5).



NOTE VALVE inlet is 3/4-inch NPT male.

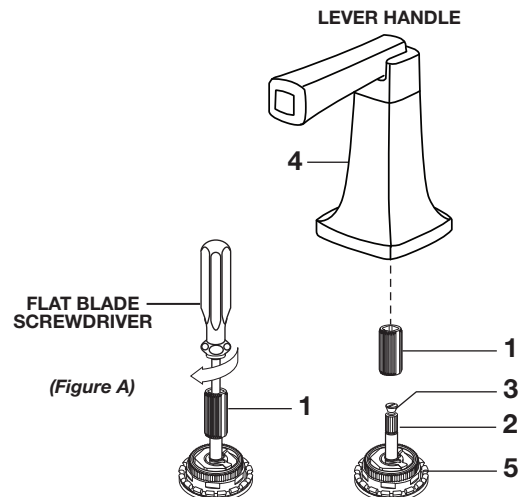
3 VALVE ASSEMBLY

- Install LOCKNUTS (1) and RUBBER WASHERS (2) onto valve shanks.
- Push TUBING (3) ends into VALVE (4) side outlets. Insert VALVES (4) into mounting holes from underside of ledge.
- Press TEE (5) onto SPOUT SHANK (6) making certain that the O-RING (7) is properly seated on SHANK (6). Push COUPLING (8 or 8a) into TEE (5) and attach to SPOUT SHANK (6) and tighten. For 7430.901 use a 10 mm (3/8") hex key.
- Threads of VALVE BODY (4) should extend at least 5/16 inch above MOUNTING SURFACE (11). If necessary, adjust LOCKNUT (1).
- Place RUBBER RING (10) into ESCUTCHEON ADAPTERS (9) and thread onto valves until snug against internal stop.
- Tighten LOCKNUT (1) to secure VALVE (4) position with channel locks.
- Slide FERRULE (12) and COUPLING NUT (13) to outlet of VALVE (4) and tighten COUPLING NUT (13) firmly.
- Connect HOT water supply to inlet of left VALVE and COLD water supply to inlet of right VALVE using appropriate connector.



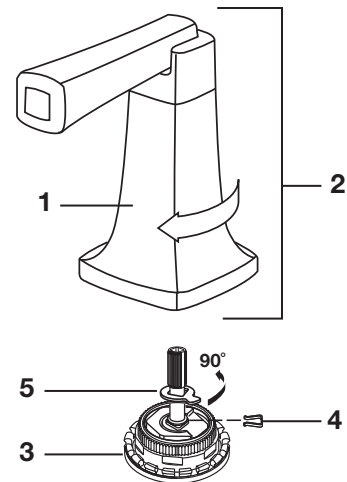
4 INSTALL HANDLES

- Push ADAPTER (1) on VALVE STEM (2). Tighten STEM SCREW (3) with a flat blade to secure ADAPTER (1). **Figure A.**
- Find correct position of HANDLE ASSEMBLY (4) by adjusting male teeth on ADAPTER (1) to female teeth in HANDLE (4).
- Push HANDLE ASSEMBLY (4) onto DECK ADAPTER (5) until snug against mounting surface.



5 SERVICE

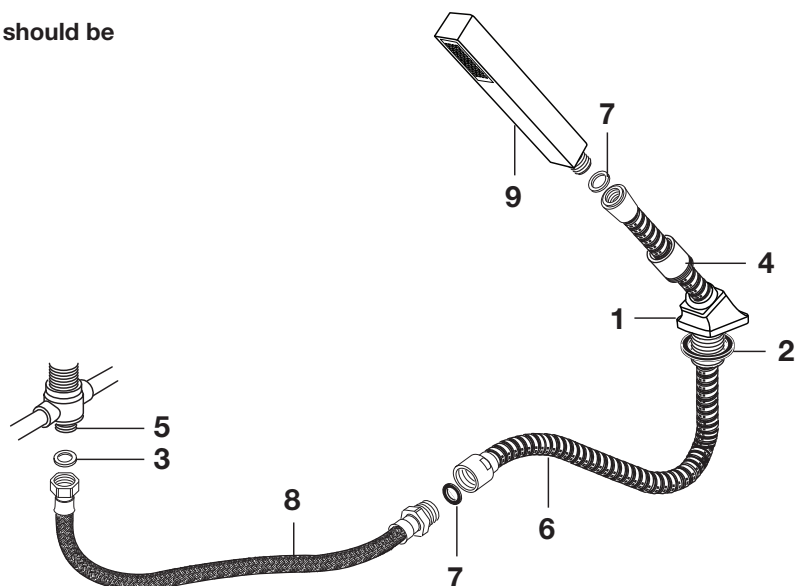
- To change direction of handle rotation, proceed as follows:
 - Turn valve to OFF position.
 - Thread counter-clock wise HANDLE BASE (1) to remove HANDLE ASSEMBLY (2) from ESCUTCHEON BASE (3).
 - Use a flat blade screw driver to remove SPRING CLIP (4).
 - Lift STOP WASHER (5), turn 90° and replace.
 - Replace SPRING CLIP (4).
 - Reinstall HANDLE ASSEMBLY (2).
- If spout drips, operate handles several times from OFF to ON position. Do not force - handles turn only 90°.



6 HANDSHOWER INSTALLATION (FOR MODEL 7430.901 ONLY)

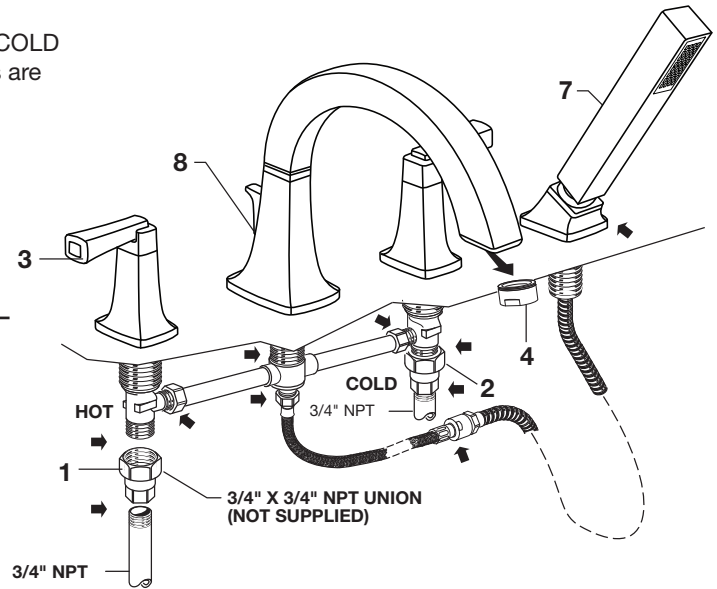
- Drop SPRAY ESCUTCHEON (1) through the fourth hole of the tub ledge (12" max from SPOUT center) with SPRAY ESCUTCHEON (1) directed towards tub center. Be sure RUBBER RING (2) is properly seated in ESCUTCHEON (1). Install RUBBER WASHER (3) and LOCKNUT (4) from underside of ledge.
- Secure SPRAY ESCUTCHEON (1) by tightening LOCKNUT (4).
- Add SEAL WASHER (5) and connect HOSE (10) to outlet nipple at the bottom of TEE (7). Tighten firmly.
- Slip SHOWER HOSE (8) with COUPLING NUT through SPRAY HOLDER (6) and ESCUTCHEON (1). (**Note:** SPRAY HOLDER (6) must be separate from ESCUTCHEON (1) to get HOSE (8) through ESCUTCHEON (1).) Install SEAL (9) and connect both HOSES (8) and (10).
- INSTALL second SEAL (9) and connect HAND SHOWER (11) to SPRAY HOSE (8).

NOTE When not in use, HAND SHOWER should be seated in the HOLDER.



7 MAKE WATER SUPPLY CONNECTIONS

- Connect HOT water supply to LEFT INLET UNION (1) and COLD water supply to RIGHT INLET UNION (2). Pipe connections are 3/4" NPT. Use sealant or Teflon tape on pipe connections. Do not solder directly to valve body.



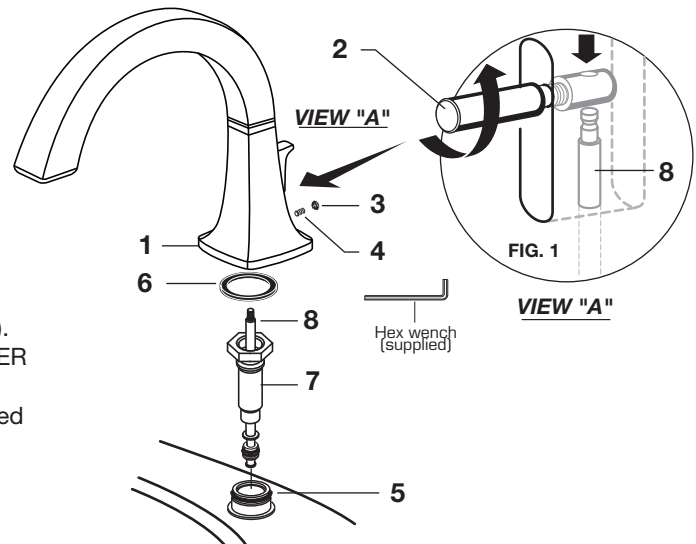
IMPORTANT: It is strongly recommended that access be provided for all enclosed mechanical parts to this system.

7A TEST INSTALLED FAUCET

- With HANDLES (3) in OFF position, turn on water supplies and check all connections for leaks.
- Remove AERATOR (4).
- Operate both HANDLES (3) to flush water lines thoroughly. Lift HAND SHOWER (7) from HOLDER, direct spray into tub. Lift TRANSFER KNOB (8) to check HAND SHOWER (7) and HOSES for leaks.
- Turn handles "off" and replace HAND SHOWER (7). Replace AERATOR (4).

8 Before the bathroom is completely finished, you may want to remove spout, handshower, and handles to avoid damage during construction.

- To remove handles, reverse steps in section 4.
- To remove SPOUT (1), proceed as follows:
 - Unthread LIFT ROD KNOB (2) to release it from the TRANSFER ROD (8). Remove LIFT ROD KNOB (2). VIEW A.
 - Remove PLUG BUTTON (3) and remove SET SCREW (4) using 5mm hex wrench supplied.
 - Lift SPOUT (1) off SHANK (5) carefully and remove RUBBER RING (6).
 - Unthread SHANK SLEEVE (7) and remove from SHANK (5).
 - Reverse sequence to re-install SPOUT (1). Be sure RUBBER RING (6) is properly seated in its recess at the base of the SPOUT (1). Make certain SET SCREW (4) is properly aligned and tight so that SPOUT (1) is locked in place.



CARE INSTRUCTIONS:

DO: SIMPLY RINSE THE PRODUCT CLEAN WITH CLEAR WATER. DRY WITH A SOFT COTTON FLANNEL CLOTH.

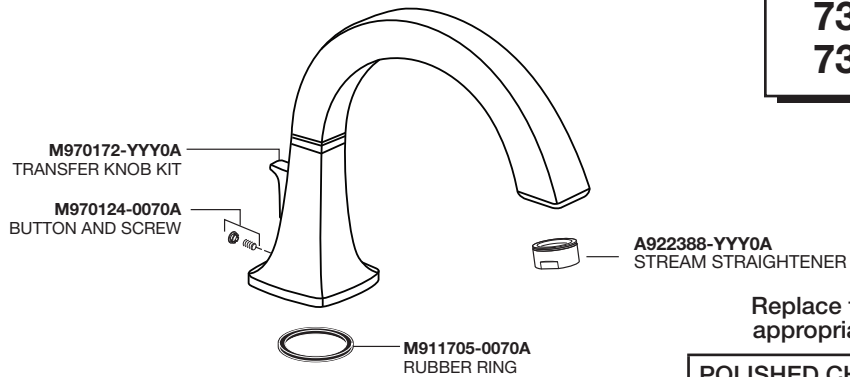
DO NOT: DO NOT CLEAN THE PRODUCT WITH SOAPS, ACID, POLISH, ABRASIVES, HARSH CLEANERS, OR A CLOTH WITH A COARSE SURFACE.

American Standard

TOWNSEND® DECK MOUNT BATH FILLER

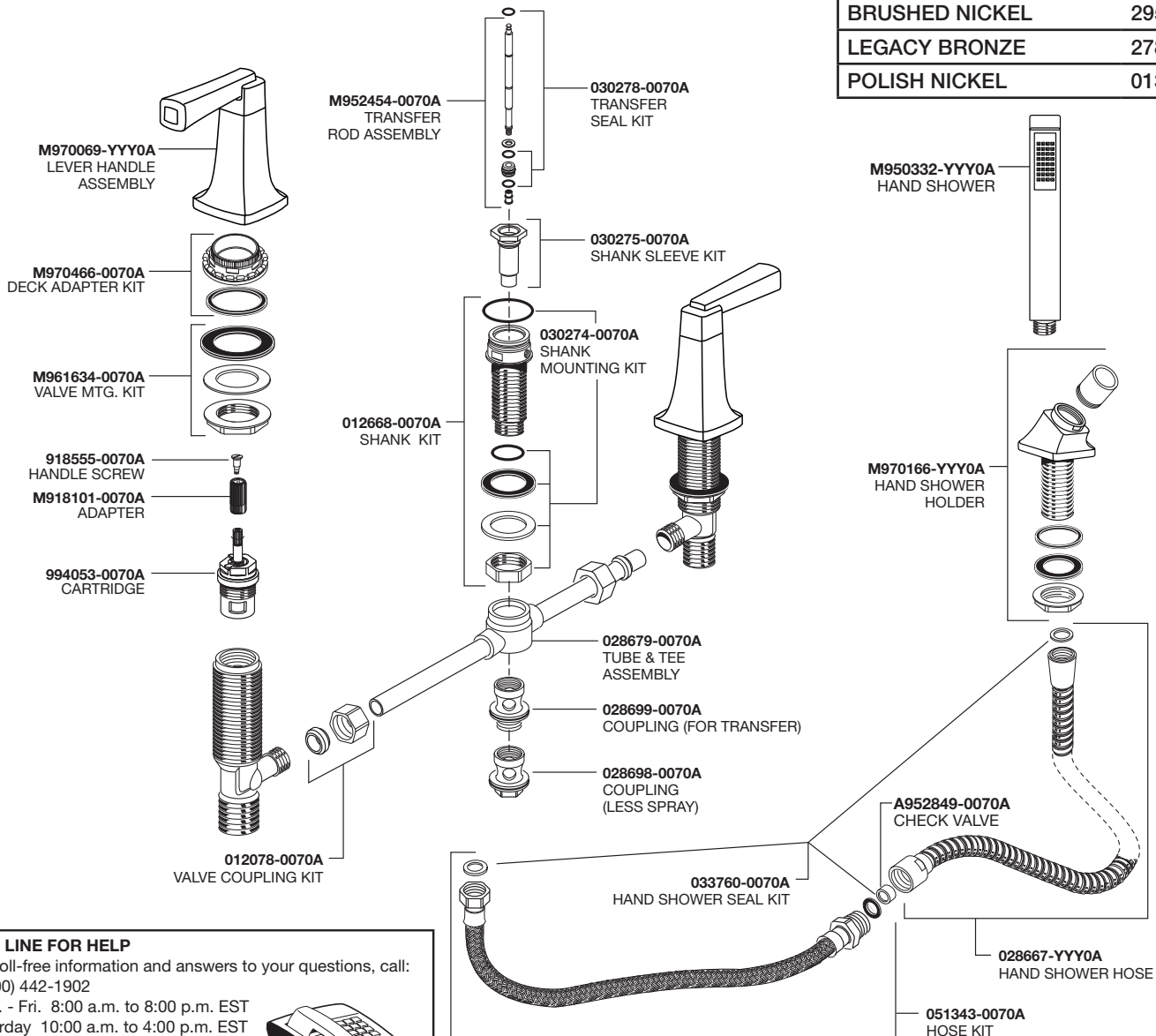
MODEL NUMBER

7353.900
7353.901



Replace the "YYY" with appropriate finish code

POLISHED CHROME	002
BRUSHED NICKEL	295
LEGACY BRONZE	278
POLISH NICKEL	013



HOT LINE FOR HELP

For toll-free information and answers to your questions, call:
1 (800) 442-1902
Mon. - Fri. 8:00 a.m. to 8:00 p.m. EST
Saturday 10:00 a.m. to 4:00 p.m. EST
IN CANADA 1-800-387-0369
(TORONTO 1-905-306-1093)
Weekdays 8:00 a.m. to 7:00 p.m. EST
IN MEXICO 01-800-839-1200



PART OF LIXIL