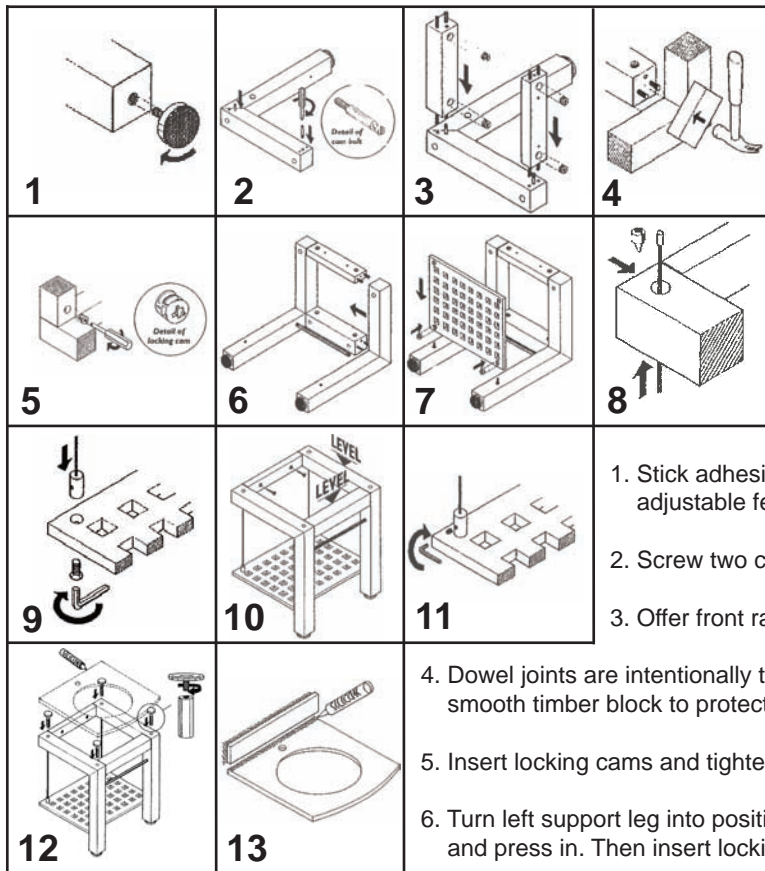


INSTALLATION INSTRUCTIONS

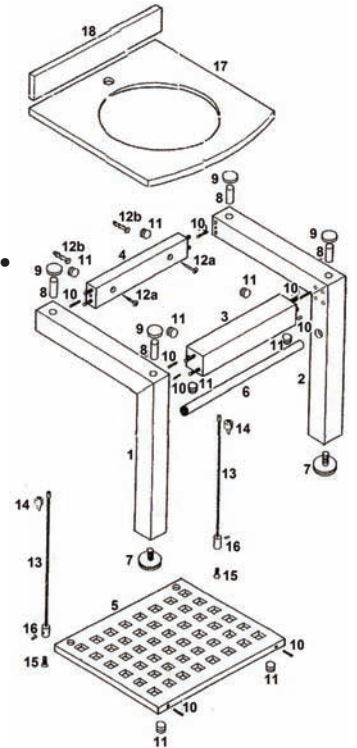
Parts Included

- 1 Left Support Leg (1) • 1 Right Support Leg (2) • 1 Front Rail (3) •
- 1 Wall Plate (4) • 1 Lattice Shelf (5) • 1 Towel Rail (6) • 2 Adjustable Feet (7) •
- 4 Supports for Porcelain Top (8) • 4 Discs (9) • 8 Cam-Bolts (10) • 8 Locking Cams (11) •
- 2 Screws & Wall Plugs (12a-b) • 2 Suspension Cables & Anchors (13) • Large Allen Key •
- Small Allen Key • 2 Cone Washers with Set Screws (14) • 2 Cable Retaining Bolts (15) •
- 2 Set Screws for Cable anchors (16) • 1 Porcelain Top (17) • 1 Porcelain Back-splash (18) •



Tools Needed

- Phillips Screwdriver •
- Hammer •
- Block of Wood •
- Level •
- Silicone Adhesive •



1. Stick adhesive pad onto underside of each adjustable foot. Then screw adjustable feet into threaded sleeves in support legs.

2. Screw two cam-bolts into nylon sleeves on the side of each support leg.

3. Offer front rail and rear wall plate dowels onto left support leg and press in.

4. Dowel joints are intentionally tight. If necessary tap into position using a hammer and a flat smooth timber block to protect support leg.

5. Insert locking cams and tighten clockwise with screwdriver.

6. Turn left support leg into position shown, insert towel rail and offer right support leg onto dowels and press in. Then insert locking cams and tighten clockwise with screwdriver.

7. Screw two cam-bolts for the shelf into the nylon sleeves or the rear of each support leg. Insert shelf onto cam-bolts as shown, then insert locking cams and tighten clockwise with screwdriver.

8. Insert end stops of suspension cables through underside of frame assembly near wall plate. Then clip cone washer under the end stops, tighten grub screws with small allen key and pull cables back down to secure.

9. Insert the cylindrical cable anchors into recesses in back edge of the shelf and secure with the cable retaining bolts using the large allen key provided. DO NOT over tighten these bolts as they will be used to adjust and level the shelf.

10. Turn stand upright and lean it against the wall. Correct position carefully and check with a level. Rotate adjustable feet to compensate for an uneven floor if necessary. Mark position of wall plate fixing screw holes, then remove stand and drill and plug fixing holes as required. Return stand into correct position and screw it back into the wall.

11. Adjust shelf level and tension of support cables with the cable retaining bolts and large allen key. Finally secure retaining bolts in place with grub screws and small allen key.

12. Insert cylindrical washstand supports as shown. Screw flat discs into supports and apply silicone adhesive into circular recess on top face. Carefully lower top into position and leave to "cure" in accordance with manufactures instructions.

13. Finally bond ceramic backsplash to wall and stand top using clear silicone adhesive, removing any surplus adhesive promptly in accordance with the manufactures instructions.