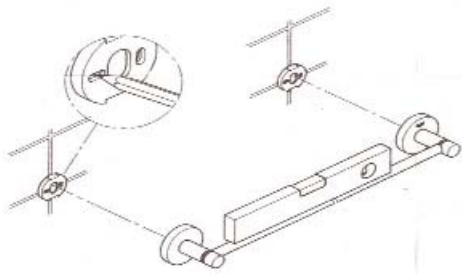


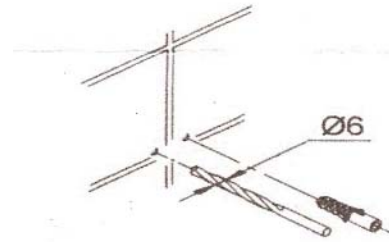
INSTALLATION INSTRUCTIONS

Tools Needed

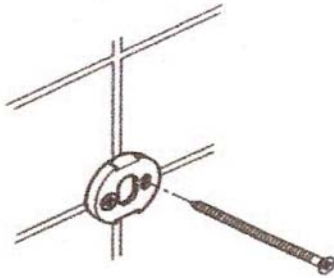
- Drill • Pencil • Tape Measure • Screwdrivers



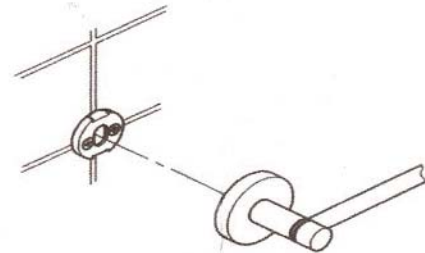
1. Hold accessory to desired location on wall. Mark wall for mounting brackets.



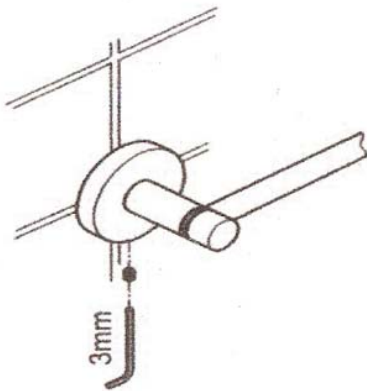
2. Drill holes for mounting brackets and insert anchors.



3. Screw mounting brackets securely to wall.



4. Place accessory over mounting bracket.



5. Secure accessory to bracket using set screws and allen wrench provided.