

If you have questions or comments, contact us.
 Pour toute question ou tout commentaire, nous contacter.
 Si tiene dudas o comentarios, contáctenos.

1-800-4-DEWALT • www.dewalt.com

INSTRUCTION MANUAL
 GUIDE D'UTILISATION
 MANUAL DE INSTRUCCIONES

INSTRUCTIVO DE OPERACIÓN, CENTROS DE SERVICIO
 Y POLIZA DE GARANTÍA. ADVERTENCIA: LEASE ESTE
 INSTRUCTIVO ANTES DE USAR EL PRODUCTO.

DEWALT®

DW317

Variable Speed Orbital Jig Saw with Keyless Blade Change

Scie sauteuse orbitale à vitesse variable et changement de lame sans clé
 Sierra de vaivén orbitale de velocidad variable con cambio de hoja sin llave

overheating. The following table shows the correct size to use depending on cord length and nameplate ampere rating. If in doubt, use the next heavier gauge. The smaller the gauge number, the heavier the cord.

Volts	Minimum Gauge for Cord Sets			
	Total Length of Cord in Feet			
120V	0-25	26-50	51-100	101-150
240V	0-50	51-100	101-200	201-300
Ampere Rating		AWG		
More Than	Not more Than			
0	- 6	18	16	16
6	- 10	18	16	14

PERSONAL SAFETY

- **Stay alert, watch what you are doing and use common sense when operating a power tool. Do not use tool while tired or under the influence of drugs, alcohol, or medication.** A moment of inattention while operating power tools may result in serious personal injury.
- **Dress properly. Do not wear loose clothing or jewelry. Contain long hair. Keep your hair, clothing, and gloves away from moving parts.** Loose clothing, jewelry, or long hair can be caught in moving parts. Air vents often cover moving parts and should also be avoided.
- **Avoid accidental starting. Be sure switch is off before plugging in.** Carrying tools with your finger on the switch or plugging in tools that have the switch on invites accidents.
- **Remove adjusting keys or wrenches before turning the tool on.** A wrench or a key that is left attached to a rotating part of the tool may result in personal injury.
- **Do not overreach. Keep proper footing and balance at all times.** Proper footing and balance enables better control of the tool in unexpected situations.
- **Use safety equipment. Always wear eye protection.** Dust mask, non-skid safety shoes, hard hat, or hearing protection must be used for appropriate conditions.

TOOL USE AND CARE

- **Use clamps or other practical way to secure and support the workpiece to a stable platform.** Holding the work by hand or against your body is unstable and may lead to loss of control.
- **Do not force tool. Use the correct tool for your application.** The correct tool will do the job better and safer at the rate for which it is designed.
- **Do not use tool if switch does not turn it on or off.** Any tool that cannot be controlled with the switch is dangerous and must be repaired.
- **Disconnect the plug from the power source before making any adjustments, changing accessories, or storing the tool.** Such preventative safety measures reduce the risk of starting the tool accidentally.
- **Store idle tools out of reach of children and other untrained persons.** Tools are dangerous in the hands of untrained users.
- **Maintain tools with care. Keep cutting tools sharp and clean.** Properly maintained tools, with sharp cutting edges are less likely to bind and are easier to control.
- **Check for misalignment or binding of moving parts, breakage of parts, and any other condition that may affect the tool's operation. If damaged, have the tool serviced before using.** Many accidents are caused by poorly maintained tools.
- **Use only accessories that are recommended by the manufacturer for your model.** Accessories that may be suitable for one tool, may become hazardous when used on another tool.

SERVICE

- **Tool service must be performed only by qualified repair personnel.** Service or maintenance performed by unqualified personnel could result in a risk of injury.
- **When servicing a tool, use only identical replacement parts. Follow instructions in the Maintenance section of this manual.** Use of unauthorized parts or failure to follow maintenance instructions may create a risk of electric shock or injury.

Additional Specific Safety Instructions for Jig Saws

- **Hold tool by insulated gripping surfaces when performing an operation where the cutting tool may contact hidden wiring or its own cord.** Contact with a "live" wire will make exposed metal parts of the tool "live" and shock the operator.
- **Allow the motor to come to a complete stop before withdrawing the blade from the kerf (the slot created by cutting).** A moving blade may impact the workpiece causing a broken blade, workpiece damage or loss of control and possible personal injury.
- **Keep handles dry, clean, free from oil and grease.** This will enable better control of the tool.
- **Keep blades sharp.** Dull blades may cause the saw to swerve or stall under pressure.
- **Clean out your tool often, especially after heavy use.** Dust and grit containing metal particles often accumulate on interior surfaces and could create an electric shock hazard.
- **Do not operate this tool for long periods of time.** Vibration caused by the operating action of this tool may cause permanent injury to fingers, hands, and arms. Use gloves to provide extra cushion, take frequent rest periods, and limit daily time of use.
- ▲ **WARNING:** Always wear eye protection while operating this power tool.
- ▲ **WARNING:** Some dust created by power sanding, sawing, grinding, drilling, and other construction activities contains chemicals known to cause cancer, birth defects or other reproductive harm. Some examples of these chemicals are:
 - lead from lead-based paints,
 - crystalline silica from bricks and cement and other masonry products, and
 - arsenic and chromium from chemically-treated lumber (CCA).

Your risk from these exposures varies, depending on how often you do this type of work. To reduce your exposure to these chemicals: work in a well ventilated area, and work with approved safety equipment, such as those dust masks that are specially designed to filter out microscopic particles.

- **Avoid prolonged contact with dust from power sanding, sawing, grinding, drilling, and other construction activities. Wear protective clothing and wash exposed areas with soap and water.** Allowing dust to get into your mouth, eyes, or lay on the skin may promote absorption of harmful chemicals.

▲ **WARNING:** Use of this tool can generate and/or disburse dust, which may cause serious and permanent respiratory or other injury. Always use NIOSH/OSHA approved respiratory protection appropriate for the dust exposure. Direct particles away from face and body.

▲ **WARNING:** Wear appropriate hearing protection during use. Under some conditions and duration of use, noise from this product may contribute to hearing loss.

- The label on your tool may include the following symbols. The symbols and their definitions are as follows:

V..... volts	A..... amperes
Hz..... hertz	W..... watts
min minutes	~ alternating current
=== direct current	n ₀ no load speed
☐ Class II Construction	.../min..... revolutions per minute
⊕ earthing terminal	sfp..... surface feet per minute
▲ safety alert symbol	

SAVE THESE INSTRUCTIONS

COMPONENTS

- | | |
|-----------------------|------------------------|
| A. Trigger switch | D. Keyless blade lever |
| B. Lock button | E. Shoe |
| C. Speed control dial | |

Motor

Your DEWALT tool is powered by a DEWALT-built motor. Be sure your power supply agrees with the nameplate marking.

Volts 50/60 Hz or "AC only" means your tool must be operated only with alternating current and never with direct current.

Voltage decrease of more than 10% will cause loss of power and overheating. All DEWALT tools are factory tested; if this tool does not operate, check the power supply.

DEWALT Industrial Tool Co., 701 East Joppa Road, Baltimore, MD 21286

(APR10) Part No. N079133 DW317 Copyright © 2004, 2010 DEWALT

The following are trademarks for one or more DEWALT power tools: the yellow and black color scheme; the "D" shaped air intake grill; the array of pyramids on the handgrip; the kit box configuration; and the array of lozenge-shaped humps on the surface of the tool.

Definitions: Safety Guidelines

The definitions below describe the level of severity for each signal word. Please read the manual and pay attention to these symbols.

▲ **DANGER:** Indicates an imminently hazardous situation which, if not avoided, will result in death or serious injury.

▲ **WARNING:** Indicates a potentially hazardous situation which, if not avoided, could result in death or serious injury.

▲ **CAUTION:** Indicates a potentially hazardous situation which, if not avoided, may result in minor or moderate injury.

▲ **NOTICE:** indicates a practice not related to personal injury which, if not avoided, may result in property damage.

IF YOU HAVE ANY QUESTIONS OR COMMENTS ABOUT THIS OR ANY DEWALT TOOL, CALL US TOLL FREE AT: 1-800-4-DEWALT (1-800-433-9258)

General Safety Instructions

- ▲ **WARNING!** Read and understand all instructions. Failure to follow all instructions listed below, may result in electric shock, fire and/or serious personal injury.

SAVE THESE INSTRUCTIONS

WORK AREA

- **Keep your work area clean and well lit.** Cluttered benches and dark areas invite accidents.
- **Do not operate power tools in explosive atmospheres, such as in the presence of flammable liquids, gases, or dust.** Power tools create sparks which may ignite the dust or fumes.
- **Keep bystanders, children, and visitors away while operating a power tool.** Distractions can cause you to lose control.

ELECTRICAL SAFETY

- **Grounded tools must be plugged into an outlet properly installed and grounded in accordance with all codes and ordinances. Never remove the grounding prong or modify the plug in any way. Do not use any adaptor plugs. Check with a qualified electrician if you are in doubt as to whether the outlet is properly grounded.** If the tools should electrically malfunction or break down, grounding provides a low resistance path to carry electricity away from the user. **Applicable only to Class I (grounded) tools.**
- **Double insulated tools are equipped with a polarized plug (one blade is wider than the other.) This plug will fit in a polarized outlet only one way. If the plug does not fit fully in the outlet, reverse the plug. If it still does not fit, contact a qualified electrician to install a polarized outlet. Do not change the plug in any way.** Double insulation ☐ eliminates the need for the three wire grounded power cord and grounded power supply system. **Applicable only to Class II (double insulated) tools.**
- **Avoid body contact with grounded surfaces such as pipes, radiators, ranges and refrigerators.** There is an increased risk of electric shock if your body is grounded.
- **Don't expose power tools to rain or wet conditions.** Water entering a power tool will increase the risk of electric shock.
- **Do not abuse the cord. Never use the cord to carry the tools or pull the plug from an outlet. Keep cord away from heat, oil, sharp edges or moving parts. Replace damaged cords immediately.** Damaged cords increase the risk of electric shock.
- **When operating a power tool outside, use an outdoor extension cord marked "W-A" or "W."** These cords are rated for outdoor use and reduce the risk of electric shock. When using an extension cord, be sure to use one heavy enough to carry the current your product will draw. An undersized cord will cause a drop in line voltage resulting in loss of power and

OPERATION

⚠ WARNING: To reduce the risk of serious personal injury, turn tool off and disconnect tool from power source before making any adjustments or removing/installing attachments or accessories.

Trigger Switch (Fig. 1)

To start the jig saw, squeeze the trigger switch (A).

To slow and stop the jig saw, release the trigger switch.

For continuous operation, squeeze the trigger switch then depress the lock button (B). Once lock button is depressed, release the trigger switch.

To release from continuous operation, squeeze the trigger and the lock will disengage.

Variable Speed Switch (Fig. 1, 2)

The variable speed is controlled in two ways: speed control dial (C) and the trigger switch (A).

SPEED CONTROL DIAL

By rotating the speed control dial (C) in either direction, the maximum speed or strokes-per-minute at which the blade will cut is adjusted. The speed control dial adjusts the speed that the blade will cut from approximately 500 SPM to approximately 3,100 SPM.

TRIGGER SWITCH

As the trigger switch is pressed in, the strokes-per-minute continue to increase, but not to exceed the maximum setting on the speed control dial. As the trigger is released, the blade strokes-per-minute reduce.

Blade Installation and Removal (Fig. 3)

TO INSTALL A BLADE

1. Lift the keyless blade lever (D).
2. Insert the blade into the clamp mechanism (F) while guiding the back of the blade into the groove of the guide rollers (G).
3. The shank should be completely inside the clamp mechanism as shown in Figure 4.
4. Release the keyless blade lever.

TO REMOVE A BLADE

1. Lift the keyless blade lever (D).
2. With a slight shake the blade will drop out.

⚠ CAUTION: Do not touch used blades, they may be hot. Personal injury may result.

Bevel Cutting Adjustment (Fig. 5)

Bevel cuts may be made at any angle between 0° and 45°. The shoe is adjusted by loosening the screw (H) on the bottom of the tool and rotating the shoe to the desired angle. After setting the shoe, tighten the screw firmly and use saw in the normal manner.

Cutting Action – Orbital or Straight (Fig. 6)

⚠ CAUTION: Check that the tool is not locked ON before connecting it to a power supply. If the trigger switch is locked ON when the tool is connected to the power supply, it will start immediately. Damage to your tool or personal injury may result.

This jig saw is equipped with four cutting actions, three orbital and one straight. Orbital action has a more aggressive blade motion and is designed for cutting in soft materials like wood or plastic. Orbital action provides a faster cut, but with a rougher cut across the material. In orbital action, the blade moves forward during the cutting stroke in addition to the up and down motion.

NOTE: Metal or hardwoods should never be cut in orbital action.

To adjust the cutting action, move the cutting action lever (I) between the four cutting positions: 0, 1, 2, and 3. Position 0 is straight cutting. Positions 1, 2, and 3 are orbital cutting. The aggressiveness of the cut increase as the lever is adjusted from one to three, with three being the most aggressive cut.

Adjustment For 90° Cuts

1. The 0° mark on the quadrant plate should line up with mark on shoe.
2. If adjustment is necessary, loosen screw on quadrant plate and adjust as necessary. Place a right angle against the blade and the shoe and adjust the shoe to 90°.

Anti-Splintering (Fig. 7)

This jig saw has a special double-ended shoe with a wide opening at one end for general cutting and bevel cutting and a very narrow slot at the other end for use only with hollow ground blades. This narrow slot acts as an anti-splintering device (J) particularly useful when cutting plywood.

Reversing Shoe Position (Fig. 7)

To reverse the shoe position remove the screw (H) from the bottom of the tool, as shown in Figure 8, and remove the shoe from the jig saw. [Be careful to note the position of the clamp (K). This clamp must be re-installed the same way or the shoe will not fit properly.] Turn the shoe around and re-install noting carefully that, when the slot is forward, the screw goes through the hole in the shoe and when the wide opening is forward, the screw passes through the slot in the shoe.

Cutting

⚠ WARNING: The jig saw should not be operated with the shoe removed or serious personal injury may result.

POCKET CUTTING (FIG. 8, 9)

A pocket cut is an easy method of making an inside cut. The saw can be inserted directly into a panel or board without first drilling a lead or pilot hole. In pocket cutting, measure the surface to be cut and mark clearly with a pencil. Next tip the saw forward until the front end of the shoe sits firmly on the work surface and the blade clears the work through its full stroke. Switch the tool on and allow it to attain maximum speed. Grip the saw firmly and lower the back edge of tool slowly until the blade reaches its complete depth. Hold the shoe flat against the wood and begin cutting. Do not remove blade from cut while it is still moving. Blade must come to a complete stop.

WOOD CUTTING

Support the workpiece adequately at all times. Use the higher speed setting for cutting wood. Do not attempt to turn the tool on when blade is against material to be cut. This could stall the motor. Place the front of shoe on the material to be cut and hold the jig saw shoe firmly against the wood while cutting. Don't force the tool; let the blade cut at its own speed. When the cut is complete, turn the jig saw off. Let blade come to a complete stop and then lay the saw aside before loosening the work.

METAL CUTTING

In cutting thin gauge sheet metals, it is best to clamp wood to the bottom of sheet metal; this will insure a clean cut without the risk of vibration or tearing of metal. Always remember to use a finer blade for ferrous metals (for those that have a high iron content); and use a coarser blade for non-ferrous metals (those that do not have an iron content). Use a high speed setting for cutting soft metals (aluminum, copper, brass, mild steel, galvanized pipe, conduit sheet metal, etc.). Use lower speed to cut plastics, tile, laminate, hard metals, and cast iron.

MAINTENANCE

⚠ WARNING: To reduce the risk of serious personal injury, turn tool off and disconnect tool from power source before making any adjustments or removing/installing attachments or accessories.

Cleaning

⚠ WARNING: Blow dirt and dust out of all air vents with clean, dry air at least once a week. To minimize the risk of eye injury, always wear ANSI Z87.1 approved eye protection when performing this.

⚠ WARNING: Never use solvents or other harsh chemicals for cleaning the non-metallic parts of the tool. These chemicals may weaken the plastic materials used in these parts. Use a cloth dampened only with water and mild soap. Never let any liquid get inside the tool; never immerse any part of the tool into a liquid.

Lubrication

NOTE: NEVER spray or in any other way apply lubricants or cleaning solvents inside the tool. This can seriously affect the life and performance of the tool.

FIG. 1

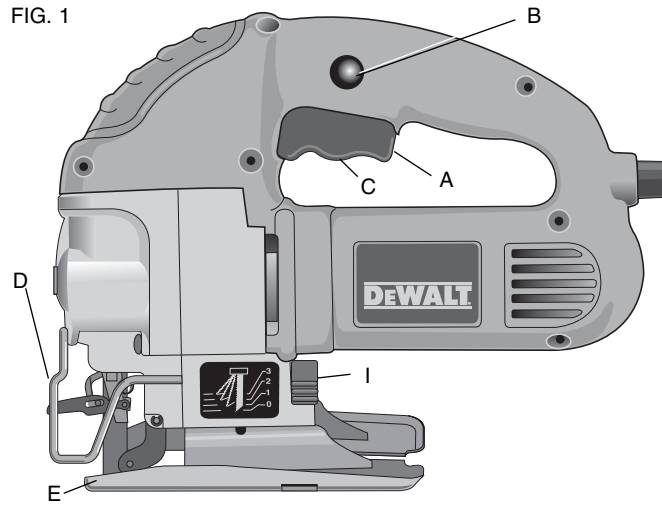


FIG. 2

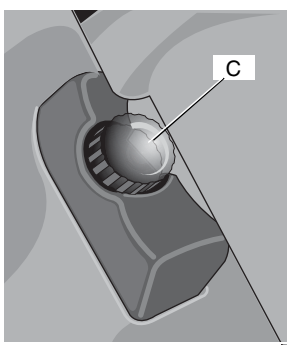


FIG. 3

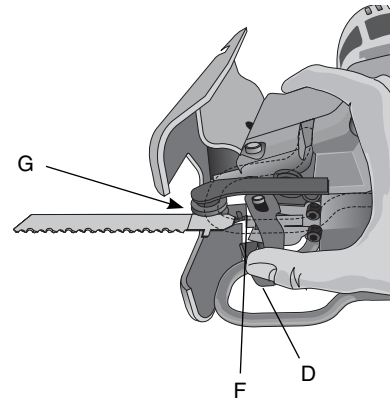


FIG. 4

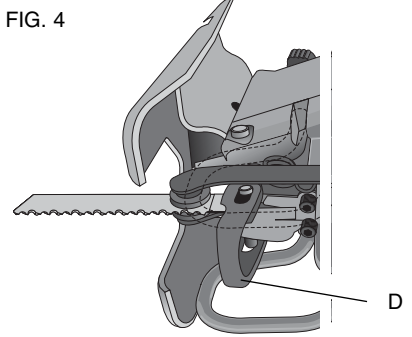


FIG. 5

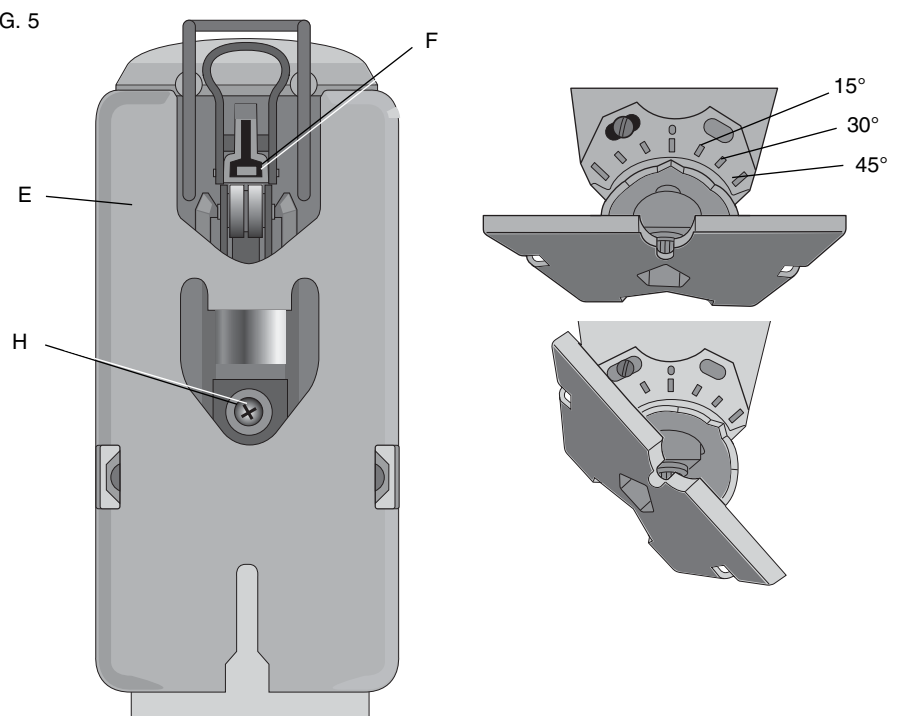


FIG. 6

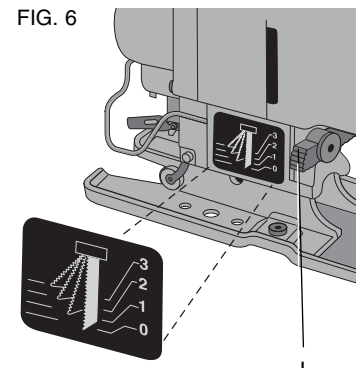


FIG. 7

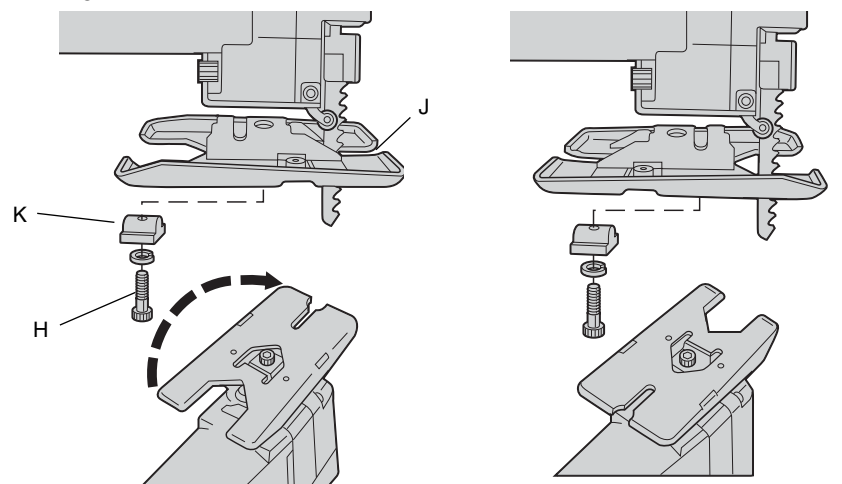


FIG. 8

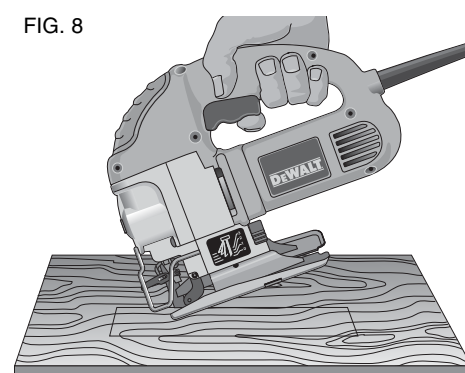
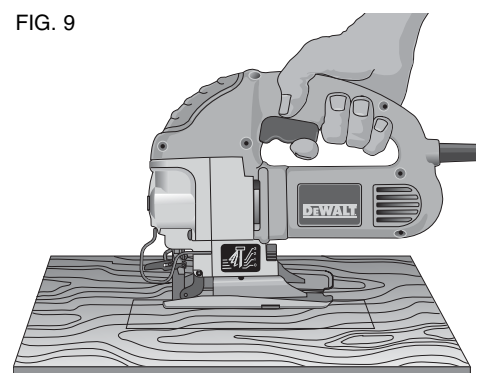


FIG. 9



DEWALT tools are properly lubricated at the factory and are ready for use. However, it is recommended that, once a year, you take or send the tool to a certified service center for a thorough cleaning and inspection.

Repairs

To assure product SAFETY and RELIABILITY, repairs, maintenance and adjustment (including brush inspection and replacement) should be performed by authorized service centers or other qualified service personnel, always using identical replacement parts.

Accessories

▲WARNING: Since accessories, other than those offered by DEWALT, have not been tested with this product, use of such accessories with this tool could be hazardous. To reduce the risk of injury, only DEWALT, recommended accessories should be used with this product.

Recommended accessories for use with your tool are available at extra cost from your local service center. If you need any assistance in locating any accessory, please contact DEWALT Industrial Tool Co., 701 East Joppa Road, Baltimore, MD 21286, call 1-800-4-DEWALT (1-800-433-9258) or visit our website www.dewalt.com.

Three Year Limited Warranty

DEWALT will repair, without charge, any defects due to faulty materials or workmanship for three years from the date of purchase. This warranty does not cover part failure due to normal wear or tool abuse. For further detail of warranty coverage and warranty repair information, visit www.dewalt.com or call 1-800-4-DEWALT (1-800-433-9258). This warranty does not apply to accessories or damage caused where repairs have been made or attempted by others. This warranty gives you specific legal rights and you may have other rights which vary in certain states or provinces.

In addition to the warranty, DEWALT tools are covered by our:

1 YEAR FREE SERVICE

DEWALT will maintain the tool and replace worn parts caused by normal use, for free, any time during the first year after purchase.

90 DAY MONEY BACK GUARANTEE

If you are not completely satisfied with the performance of your DEWALT Power Tool, Laser, or Nailer for any reason, you can return it within 90 days from the date of purchase with a receipt for a full refund – no questions asked.

LATIN AMERICA: This warranty does not apply to products sold in Latin America. For products sold in Latin America, see country specific warranty information contained either in the packaging, call the local company or see website for warranty information.

FREE WARNING LABEL REPLACEMENT: If your warning labels become illegible or are missing, call 1-800-4-DEWALT (1-800-433-9258) for a free replacement.



Définitions : lignes directrices en matière de sécurité

Les définitions ci-dessous décrivent le niveau de danger pour chaque mot indicateur employé. Lire le mode d'emploi et porter une attention particulière à ces symboles.

▲DANGER : indique une situation dangereuse imminente qui, si elle n'est pas évitée, **entraînera la mort ou des blessures graves**

▲AVERTISSEMENT : indique une situation potentiellement dangereuse qui, si elle n'est pas évitée, **pourrait entraîner la mort ou des blessures graves**

▲ATTENTION : indique une situation potentiellement dangereuse qui, si elle n'est pas évitée, **pourrait entraîner des blessures légères ou modérées.**

AVIS : indique une pratique ne posant **aucun risque de dommages corporels** mais qui par contre, si rien n'est fait pour l'éviter, **pourrait poser des risques de dommages matériels.**

SI VOUS AVEZ DES QUESTIONS OU VOUS VOULEZ NOUS FAIRE PART DE VOS COMMENTAIRES CONCERNANT CET OUTIL OU TOUT AUTRE OUTIL DEWALT, COMPOSEZ SANS FRAIS LE : 1 800 433-9258. (1-800-4-DEWALT).

Règles de sécurité – Généralités

▲AVERTISSEMENT : Lire, comprendre et suivre toutes les directives précisées ci-dessous, y compris les consignes de sécurité, afin d'éviter les risques de choc électrique, d'incendie ou de blessure grave.

CONSERVER CES DIRECTIVES

AIRE DE TRAVAIL

- **L'aire de travail doit être propre et bien éclairée.** Les établis encombrés et les endroits sombres peuvent entraîner des accidents.
- **Ne pas faire fonctionner des outils électriques dans des atmosphères explosives, comme en présence de liquides, de gaz et de poussières inflammables.** Les outils électriques produisent des étincelles qui peuvent enflammer la poussière ou les vapeurs
- **Tenir les enfants, les visiteurs ou toute autre personne à l'écart lorsqu'on utilise un outil électrique;** les distractions peuvent faire perdre la maîtrise de ce dernier.

MESURES DE SÉCURITÉ – ÉLECTRICITÉ

- **Les outils mis à la terre doivent être branchés dans une prise correctement installée et mise à la terre tel que l'indiquent les codes et règlements en vigueur. Ne jamais retirer la broche de mise à la terre ou modifier la prise en aucune façon. Ne pas utiliser de fiche d'adaptation. Consulter un électricien qualifié s'il y a un doute en ce qui concerne la mise à la terre de la prise.** En cas de défaillance électrique ou de bris de l'outil, la mise à la terre procure un chemin de faible résistance au courant afin de réduire les risques de choc électrique. **Cette protection ne s'applique qu'aux outils de classe I (mis à la terre).**
- **Les outils à double isolation sont munis d'une fiche polarisée (c'est-à-dire que l'une des lames est plus large que l'autre), laquelle ne peut être raccordée qu'à une prise polarisée et ce, dans un seul sens; on doit l'inverser si on est incapable de l'enfoncer complètement. Si la fiche ne s'adapte toujours pas, on doit faire appel à un électricien qualifié pour qu'il installe la prise appropriée. On ne doit jamais modifier la fiche.** La double isolation ☐ élimine le besoin d'installer un cordon d'alimentation trifilaire et un système d'alimentation électrique pourvus d'une mise à la terre; **seuls les outils de classe II (à double isolation) sont munis d'une telle protection.**
- **Éviter tout contact entre le corps et les éléments mis à la terre, comme les tuyaux, les radiateurs, les cuisinières et les réfrigérateurs,** afin de réduire les risques de choc électrique.
- **Ne pas utiliser l'outil électrique dans des endroits mouillés, ni l'exposer à la pluie;** l'infiltration d'eau à l'intérieur de l'outil augmente les risques de choc électrique.
- **Ne pas utiliser le cordon de manière abusive; on ne doit pas transporter l'outil en le tenant par le cordon, ou utiliser ce dernier pour le débrancher. On doit tenir le cordon à l'écart des sources de chaleur, de l'huile, des bords tranchants ou des pièces mobiles. Remplacer immédiatement les cordons endommagés,** car ces derniers augmentent les risques de choc électrique.

- **Lorsqu'on utilise un outil électrique à l'extérieur, on ne doit utiliser que des rallonges conçues pour cet usage, comme celles de type « W-A » ou « W », afin de réduire les risques de choc électrique.** S'assurer que la rallonge est en mesure de porter le courant nécessaire à l'outil. Une rallonge de calibre inférieur entraînera une chute de tension se traduisant par une perte de puissance et une surchauffe. Le tableau ci-dessous illustre les calibres que l'on doit utiliser selon la longueur de la rallonge et l'intensité nominale indiquée sur la plaque signalétique. En cas de doute, utiliser le calibre suivant. Plus le calibre est petit, plus la rallonge peut porter de courant.

Calibre minimal des cordons de rallonge

Tension	Longueur totale du cordon en mètres			
120 V	De 0 à 7	De 7 à 15	De 15 à 30	De 30 à 45
240 V	De 0 à 7	De 7 à 15	De 15 à 39	De 30 à 45
Intensité (A)	Calibre moyen de fil			
	Au moins	Au plus		
0	6	18	16	14
6	10	18	16	12

SÉCURITÉ PERSONNELLE

- **Rester vigilant en tout temps et faire preuve de jugement lorsqu'on utilise un outil électrique. Ne pas utiliser l'outil lorsqu'on est fatigué ou sous l'influence de drogues, d'alcool ou de médicaments,** car un moment d'inattention pourrait entraîner des blessures graves.
- **Porter des vêtements appropriés. Ne pas porter des vêtements amples ou des bijoux. Couvrir ou attacher les cheveux longs. Garder les cheveux, les vêtements, les bijoux et les gants éloignés des pièces mobiles,** car ceux-ci peuvent s'y coincer. Se tenir éloigné des événements puisque ces derniers pourraient camoufler des pièces mobiles.
- **Éviter les démarrages accidentels; s'assurer que l'interrupteur est en position d'arrêt avant de brancher l'outil.** Ne pas transporter l'outil en laissant le doigt sur l'interrupteur ni le brancher lorsque l'interrupteur est en position de marche, car cela pourrait causer un accident.
- **Retirer les clés de réglage avant de démarrer l'outil.** Une clé laissée sur une pièce rotative pourrait entraîner des blessures.
- **Ne pas trop étendre les bras. Les pieds doivent rester ancrés fermement au sol afin de maintenir son équilibre en tout temps** et de mieux maîtriser l'outil dans des situations imprévues.
- **Utiliser le matériel de sécurité approprié; toujours porter des lunettes de protection.** Porter un masque anti-poussières, des chaussures antidérapantes, un casque de sécurité ou des protecteurs auditifs lorsque la situation le requiert.

UTILISATION ET ENTRETIEN DE L'OUTIL

- **Fixer et soutenir la pièce sur une plate-forme stable au moyen d'une bride de serrage ou de tout autre dispositif semblable.** La pièce est instable lorsqu'on la retient manuellement ou qu'on l'appuie contre le corps, ce qui pourrait faire perdre la maîtrise de l'outil.
- **Ne pas forcer l'outil ni l'utiliser pour des travaux autres que ceux pour lesquels il a été conçu.** Pour obtenir de meilleurs résultats et prévenir les risques de blessure, laisser l'outil couper à la vitesse pour laquelle il a été conçu.
- **Ne pas utiliser l'outil lorsque l'interrupteur marche-arrêt ne fonctionne pas.** Tout outil qui ne peut être commandé au moyen de l'interrupteur est dangereux et doit être réparé.
- **Débrancher l'outil de la source d'alimentation électrique avant d'effectuer un réglage, de changer les accessoires ou de ranger l'outil;** ces mesures de sécurité préventives réduisent les risques de démarrage accidentel.
- **Lorsqu'on n'utilise pas l'outil, le ranger hors de la portée des enfants ou des personnes non qualifiées.** Les outils sont dangereux entre les mains de personnes inexpérimentées.
- **Bien entretenir l'outil; s'assurer qu'il est toujours bien propre et aiguisé.** Les outils bien entretenus et dont les bords sont bien tranchants sont moins susceptibles de rester coincés et sont plus faciles à maîtriser.
- **Vérifier les pièces mobiles afin de s'assurer qu'elles sont bien alignées et qu'elles ne restent pas coincées. Vérifier également les pièces afin de s'assurer qu'il n'y a aucun bris ni aucune autre condition susceptible de nuire au bon fonctionnement de l'outil. Faire réparer l'outil si ce dernier est endommagé avant de s'en servir à nouveau,** car les accidents sont souvent causés par des outils mal entretenus.
- **N'utiliser que les accessoires recommandés par le fabricant pour le modèle concerné.** Un accessoire destiné à un outil particulier peut devenir dangereux lorsqu'il est utilisé avec un autre.

ENTRETIEN

- **L'outil doit être entretenu par le personnel qualifié seulement;** toute maintenance effectuée par une personne non qualifiée pourrait entraîner des risques de blessure.
- **Lors de l'entretien, n'utiliser que des pièces de rechange identiques et suivre les directives précisées à la section « Entretien » du présent guide** afin de prévenir les risques de choc électrique ou de blessure.

Règles de sécurité additionnelles particulières concernant les scies sauteuses

- **Tenir l'outil par les surfaces isolées prévues à cette fin lorsqu'il risque d'entrer en contact avec des fils cachés,** car de tels contacts peuvent mettre les pièces métalliques de l'outil sous tension, engendrant des risques de choc électrique.
- **Attendre que le moteur s'arrête complètement avant de retirer la lame de l'entaille (la fente créée par la coupe).** Une lame qui bouge peut rebondir contre la pièce et se briser ou endommager la pièce ou encore, faire perdre la maîtrise de l'outil et causer des risques de blessure.
- **Garder les poignées propres, sèches et exemptes de toute trace d'huile et de graisse** afin d'éviter de perdre la maîtrise de l'outil.
- **Maintenir les lames bien aiguisées,** car les lames usées peuvent faire dévier la scie ou faire caler le moteur lorsqu'on exerce trop de pression sur l'outil.
- **Bien nettoyer l'outil périodiquement, surtout après l'avoir utilisé longtemps,** car la poussière et les particules métalliques tendent à s'accumuler sur les surfaces internes et peuvent entraîner des risques de choc électrique.
- **Ne pas utiliser cet outil pendant des périodes prolongées.** Les vibrations causées par l'action de fonctionnement de l'outil peuvent blesser en permanence les doigts, les mains et les bras. Porter des gants pour amortir les vibrations, faire des pauses fréquentes et limiter le temps d'utilisation quotidien de l'outil.
- **▲AVERTISSEMENT :** Toujours porter des lunettes de protection lorsqu'on utilise un outil électrique.
- **▲AVERTISSEMENT :** Certains outils électriques, tels que les sableuses, les scies, les meules, les perceuses ou certains autres outils de construction, peuvent produire de la poussière contenant des produits chimiques susceptibles d'entraîner le cancer, des malformations congénitales ou pouvant être nocifs pour le système reproductif. Parmi ces produits chimiques, on retrouve :
 - le plomb dans les peintures à base de plomb,
 - la silice cristalline dans les briques et le ciment et autres produits de maçonnerie,
 - l'arsenic et le chrome dans le bois de sciage ayant subi un traitement chimique (comme l'arséniate de cuivre et de chrome).

Le risque associé à de telles expositions varie selon la fréquence avec laquelle on effectue ces travaux. Pour réduire l'exposition à de tels produits, il faut travailler dans un endroit bien aéré et utiliser le matériel de sécurité approprié, tel un masque anti-poussières spécialement conçu pour filtrer les particules microscopiques.

- **Éviter tout contact prolongé avec la poussière soulevée par cet outil ou autres outils électriques. Porter des vêtements de protection et nettoyer les parties exposées du corps à l'eau savonneuse.** S'assurer de bien se protéger afin d'éviter d'absorber par la bouche, les yeux ou la peau des produits chimiques nocifs.

▲AVERTISSEMENT : Cet outil peut produire et répandre de la poussière susceptible de causer des dommages sérieux et permanents au système respiratoire. Toujours utiliser un appareil respiratoire anti-poussières approprié approuvé par le NIOSH ou l'OSHA. Diriger les particules dans le sens opposé du visage et du corps.

▲AVERTISSEMENT : Porter un appareil de protection personnel anti-bruit approprié durant l'utilisation. Sous certaines conditions et pendant toute la durée de l'utilisation, le bruit

émanant de ce produit pourrait contribuer à la perte d'audition.

- L'étiquette apposée sur l'outil peut afficher les symboles suivants. Ces symboles et leurs définitions sont les suivants :

V..... volts	A..... ampères
Hz..... hertz	W..... watts
min minutes	~ courant alternatif
==== courant continu	n ₀ aucune option à vide
☐ construction de classe II	.../min tours par minute
⊕ borne de terre	sfp..... surface de sciage en pieds
symbole d'avertissement	par minute

CONSERVER CES DIRECTIVES

COMPOSANTS

- Interrupteur à gâchette
- Bouton de verrouillage
- Bouton de réglage de la vitesse
- Levier de la lame sans clé
- Patin

Moteur

Cet outil DEWALT est entraîné par un moteur fabriqué par DEWALT. On doit s'assurer que l'intensité nominale du cordon d'alimentation corresponde à celle indiquée sur la plaque signalétique.

La mention « c.a., 50 à 60 Hz », signifie que l'outil ne doit être branché que dans une prise de courant alternatif et qu'il ne doit **jamais** être raccordé à une prise de courant continu, alors que la mention « c.c. 60 Hz » ou « c.c. / c.a. » signifie qu'il peut être branché dans une prise à courant continu ou à courant alternatif.

Une chute de tension de plus de 10 % se traduira par une perte de puissance et une surchauffe. Tous les outils DEWALT sont soumis à des essais en usine; si cet outil ne fonctionne pas, on doit d'abord vérifier le cordon d'alimentation.

FONCTIONNEMENT

AVERTISSEMENT : pour réduire tout risque de dommages corporels graves, arrêter et débrancher l'outil avant tout réglage ou avant de retirer ou installer toute pièce ou tout accessoire.

Interrupteur à gâchette (fig. 1)

Pour démarrer la scie, enfoncer l'interrupteur à gâchette (A).

Pour ralentir et arrêter la scie, relâcher l'interrupteur.

Pour un fonctionnement continu, enfoncer l'interrupteur, puis le bouton de verrouillage (B). Une fois le bouton enfoncé, relâcher l'interrupteur à gâchette.

Pour arrêter l'outil en mode de fonctionnement continu, appuyer sur l'interrupteur afin de dégager le bouton de verrouillage.

Interrupteur à vitesse variable (fig. 1 et 2)

La vitesse variable de l'outil est commandée de deux façons, soit en utilisant le bouton de réglage de la vitesse (C) ou l'interrupteur à gâchette (A).

BOUTON DE RÉGLAGE DE LA VITESSE

Tourner le bouton de réglage de la vitesse (C) dans un sens ou dans l'autre afin de régler la vitesse maximale ou la course/minute de la lame lors de la coupe. Le bouton de réglage de la vitesse sert à régler la vitesse de coupe de la lame selon une plage qui varie entre 500 courses/minute et 3 100 courses/minute.

INTERRUPTEUR À GÂCHETTE

Plus on enfonce l'interrupteur à gâchette, plus la course/minute augmente, sans toutefois dépasser la vitesse maximale indiquée sur le bouton de réglage de la vitesse; relâcher la gâchette afin de réduire la course/minute de la lame.

Installation et retrait de la lame (fig. 3)

INSTALLATION DE LA LAME

- Soulever le levier de la lame sans clé (D).
- Insérer la lame dans le mécanisme de serrage (F) en guidant la partie arrière de la lame dans la rainure des rouleaux de guidage (G).
- La tige doit être complètement insérée dans le mécanisme de serrage, tel qu'illustré à la figure 4.
- Relâcher le levier de la lame sans clé.

RETRAIT DE LA LAME

- Soulever le levier de la lame sans clé (D).
- Osciller légèrement la lame afin de la faire sortir.

MISE EN GARDE : Ne pas toucher les lames usées, car ces dernières peuvent être chaudes et causer des blessures.

Réglage de coupe en biseau (fig. 5)

Les coupes en biseau peuvent être faites à n'importe quel angle entre 0 ° et 45 °. Pour régler le patin, dévisser la vis (H) sur la partie inférieure de l'outil puis le disposer à l'angle désiré. Une fois le patin à l'angle désiré, serrer la vis fermement puis utiliser la scie comme à l'habitude.

Coupe en mode orbital ou coupe droite (fig. 6)

MISE EN GARDE : S'assurer que l'outil n'est PAS verrouillé en position de marche (« ON ») avant de le brancher à une source d'alimentation électrique afin d'éviter de démarrer accidentellement l'outil et de causer des dommages ou des blessures.

La scie sauteuse est munie d'un levier qui permet d'effectuer quatre types de coupes, dont trois en mode orbital et un en mode de coupe droite. Lors de la coupe en mode orbital, qui est conçu pour la coupe de matériaux mous tels que le bois et le plastique, la lame se déplace de façon plus prononcée. Le mouvement orbital accélère la coupe, mais celle-ci sera grossière. En utilisation orbitale, la lame avance tout en effectuant un mouvement de haut en bas.

REMARQUE : On ne doit jamais utiliser la scie en mode orbital pour couper le métal ou le bois dur.

Pour régler le levier de coupe, déplacer ce dernier (I) entre les quatre positions, soit 0, 1, 2 et 3. La position « 0 » correspond à la coupe droite et les positions 1, 2 et 3, à la coupe en mode orbital. Plus la position est élevée, plus la coupe est prononcée.

Réglage de coupe à 90 °

- La marque 0° sur le cadran doit être alignée avec la marque sur le patin.
- Si un réglage est nécessaire, dévisser la vis sur le cadran et régler à la position désirée. Mettre une équerre à l'angle droit contre la lame et le patin puis régler ce dernier à 90 °.

Action anti-éclat (fig. 7)

Cette scie sauteuse est équipée d'un patin spécial à bouts doubles avec une large ouverture d'un côté pour les coupes générales et les coupes en biseau, et une ouverture très étroite de l'autre côté pour être utilisée avec des lames évidées en creux. Cette ouverture étroite a une action anti-éclat (J), ce qui est particulièrement utile pour couper le contreplaqué.

Inverser la position du patin (fig. 7)

Pour inverser la position du patin retirer la vis (H) sur la partie inférieure de l'outil, comme illustré en Figure 8 puis retirer le patin de la scie sauteuse. [Faire attention à bien noter la position du bouton de serrage (K). Ce bouton de serrage doit être réinstallé exactement de la même façon pour que le patin s'adapte correctement. Faire tourner le patin puis le réinstaller en remarquant que, lorsque l'ouverture étroite est vers l'avant, la vis passe par le trou dans le patin et lorsque l'ouverture large est en avant, la vis passe par l'ouverture étroite dans le patin.

Coupe

AVERTISSEMENT : Ne pas utiliser la scie sauteuse sans y avoir d'abord installé le patin afin d'éviter les risques de blessure grave.

COUPE INTERNE (FIG. 8, 9)

Il s'agit d'une méthode facile d'effectuer une coupe à l'intérieur d'un matériau. On peut introduire la scie directement dans un panneau ou une planche sans qu'il ne soit nécessaire de percer d'abord un trou de guidage. Pour réaliser une coupe à l'intérieur d'une pièce, mesurer la surface à couper et inscrire clairement une marque au crayon à l'endroit voulu. Incliner la scie

vers l'avant de manière à ce que le devant du patin repose fermement sur la surface de travail et que la lame soit complètement dégagée de la pièce lors de sa course maximale. Mettre l'outil sous tension et attendre qu'il atteigne sa vitesse maximale. Le saisir fermement l'outil et abaisser lentement son bord arrière jusqu'à ce que la lame atteigne toute sa profondeur. Tenir le patin à plat contre le matériau et amorcer la coupe. Ne pas retirer la lame de la ligne de coupe lorsqu'elle bouge encore; on doit attendre qu'elle s'immobilise complètement.

COUPE DU BOIS

Soutenir adéquatement la pièce en tout temps. Toujours sélectionner la vitesse maximale pour couper le bois. Ne pas tenter de mettre l'outil sous tension lorsque la lame est appuyée contre le matériau à couper afin d'éviter de caler le moteur. Placer le devant du patin sur le matériau à couper et tenir fermement le patin contre le matériau lors de la coupe. Ne pas forcer l'outil; laisser la lame couper à la vitesse normale. Une fois la coupe terminée, mettre l'outil hors tension et attendre que la lame s'immobilise complètement. Déposer ensuite la scie de côté avant de desserrer la pièce.

COUPE DU MÉTAL

Lorsqu'on coupe une feuille de tôle mince, il est préférable de fixer un morceau de bois sous la tôle afin d'assurer une coupe précise sans risquer de causer des vibrations ou de déchirer la tôle. Utiliser une lame à dents fines pour couper les métaux ferreux (c'est-à-dire, ceux contenant du fer) et une lame à grosses dents pour les métaux non ferreux (ceux ne contenant aucun fer).

Utiliser une haute vitesse pour couper les alliages doux (l'aluminium, le cuivre, le laiton, l'acier doux, les tuyaux en acier galvanisé, conduits de tôle, etc.), et une basse vitesse pour couper les plastiques, les tuiles, les stratifiés, les métaux durs et la fonte.

ENTRETIEN

AVERTISSEMENT : pour réduire le risque de blessures graves, éteindre l'outil et le débrancher avant d'effectuer tout réglage et d'enlever ou d'installer tout accessoire.

Nettoyage

AVERTISSEMENT : enlever les saletés et la poussière hors des événements au moyen d'air comprimé propre et sec, au moins une fois par semaine. Pour minimiser le risque de blessure aux yeux, toujours porter une protection oculaire conforme à la norme ANSI Z87.1 lors du nettoyage.

AVERTISSEMENT : ne jamais utiliser de solvants ni d'autres produits chimiques puissants pour nettoyer les pièces non métalliques de l'outil. Ces produits chimiques peuvent affaiblir les matériaux de plastique utilisés dans ces pièces. Utiliser un chiffon humecté uniquement d'eau et de savon doux. Ne jamais laisser de liquide pénétrer dans l'outil et n'immerger aucune partie de l'outil dans un liquide.

Lubrification

REMARQUE : NE JAMAIS pulvériser, ni appliquer de quelque manière que ce soit, un lubrifiant ou un solvant de nettoyage à l'intérieur de l'outil, car cela pourrait nuire sérieusement à la durée de vie et au rendement de l'outil.

Les outils DEWALT sont lubrifiés en usine et sont donc prêts à utiliser. Cependant, on recommande d'apporter ou d'envoyer l'outil une fois par année dans un centre de service qualifié afin qu'il puisse être complètement nettoyé et inspecté.

Réparations

Pour assurer la SÉCURITÉ et la FIABILITÉ de ce produit, toutes les opérations de réparation, d'entretien et de réglage doivent être effectuées dans un centre de service autorisé ou par du personnel qualifié (cela comprend l'inspection et le remplacement du balai); on ne doit utiliser que des pièces de rechange identiques.

Accessoires

AVERTISSEMENT : puisque les accessoires autres que ceux offerts par DEWALT n'ont pas été testés avec ce produit, leur utilisation pourrait s'avérer dangereuse. Pour réduire le risque de blessures, utiliser exclusivement les accessoires DEWALT recommandés avec le présent produit.

Les accessoires recommandés pour cet outil sont vendus séparément au centre de service de votre région. Pour obtenir de l'aide concernant l'achat d'un accessoire, communiquer avec DEWALT Industrial Tool Co., 701 East Joppa Road, Baltimore, MD 21286 aux États-Unis; composer le 1 (800) 4-DEWALT (1-800-433-9258) ou visiter notre site Web www.dewalt.com.

Garantie limitée trois ans

DEWALT réparera gratuitement tous les problèmes dus à des défauts de matériau ou de fabrication pendant trois ans à compter de la date d'achat. Cette garantie ne couvre pas des défaillances de pièce dues à une usure normale ou à une mauvaise utilisation de l'outil. Pour plus de détails relatifs à la couverture de la garantie et aux réparations sous garantie, visiter le site Web www.dewalt.com ou composer le 1 (800) 4-DEWALT (1 (800) 433-9258). Cette garantie ne s'applique pas aux accessoires ni aux dommages causés par des réparations réalisées ou tentées par des tiers. Cette garantie vous accorde des droits légaux spécifiques et il est possible que vous ayez d'autres droits qui varient d'un État ou d'une province à l'autre.

En plus de la garantie, les outils DEWALT sont couverts par notre :

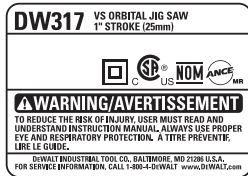
SERVICE D'ENTRETIEN GRATUIT DE 1 AN

DEWALT entretiendra l'outil et remplacera les pièces usées par une utilisation normale et ce, gratuitement, à tout instant pendant la première année à compter de la date d'achat.

GARANTIE DE REMBOURSEMENT DE 90 JOURS

Si vous n'êtes pas entièrement satisfait des performances de votre outil électrique, laser ou de votre cloueuse DEWALT pour quelque raison que ce soit, vous pouvez le retourner accompagné d'un reçu dans les 90 jours suivant la date d'achat et nous vous rembourserons entièrement – sans poser de questions.

AMÉRIQUE LATINE : cette garantie ne s'applique pas aux produits vendus en Amérique latine. Pour ceux-ci, veuillez consulter les informations relatives à la garantie spécifique présente dans l'emballage, appeler l'entreprise locale ou consulter le site Web pour les informations relatives à cette garantie.



Definiciones: Normas de seguridad

Las siguientes definiciones describen el nivel de gravedad de cada palabra de señal. Lea el manual y preste atención a estos símbolos.

PELIGRO: indica una situación de peligro inminente que, si no se evita, provocará la muerte o lesiones graves.

ADVERTENCIA: indica una situación de peligro potencial que, si no se evita, podría provocar la muerte o lesiones graves.

ATENCIÓN: indica una situación de peligro potencial que, si no se evita, posiblemente provocaría lesiones leves o moderadas.

AVISO: se refiere a una práctica no relacionada a lesiones corporales que de no evitarse puede resultar en daños a la propiedad.

SI TIENE ALGUNA DUDA O ALGÚN COMENTARIO SOBRE ÉSTA U OTRA HERRAMIENTA DEWALT, LLÁMENOS AL NÚMERO GRATUITO: 1-800-4-DEWALT (1-800-433-9258).

Instrucciones de seguridad generales

¡ADVERTENCIA! Lea todas las instrucciones hasta comprenderlas. No ajustarse a las instrucciones siguientes puede ser causa de choque eléctrico, incendio o lesiones graves.

CONSERVE ESTAS INSTRUCCIONES

ÁREA DE TRABAJO

- **Mantenga el área de trabajo limpia y bien iluminada.** Las bancadas desordenadas y las zonas oscuras propician los accidentes.
- **No opere herramientas eléctricas en atmósferas explosivas, como en presencia de líquidos, gases o polvos inflamables.** Las herramientas eléctricas producen chispas que pueden originar la ignición del polvo o los vapores.
- **Mientras opere una herramienta eléctrica, mantenga lejos a los observadores, niños y visitantes.** Las distracciones pueden ocasionar que pierda el control.

SEGURIDAD ELÉCTRICA

- **Las herramientas con conexión a tierra deben conectarse a una toma de corriente debidamente instalada y con conexión a tierra, de acuerdo con todos los códigos y ordenanzas aplicables. Nunca quite la pata de conexión a tierra ni modifique el enchufe en ninguna manera. No emplee ningún adaptador para enchufes. Si tiene alguna duda acerca de si la toma de corriente está debidamente conectada a tierra, consulte a un electricista calificado.** Si las herramientas presentasen fallas eléctricas o averías, la conexión a tierra ofrece una vía de baja resistencia para alejar la corriente eléctrica del usuario. **Sólo es aplicable a las herramientas de Clase I (con conexión a tierra).**
- **Las herramientas con doble aislamiento están equipadas con una clavija polarizada (una pata es más ancha que la otra). Esta clavija se acoplará a un enchufe polarizado de una sola manera. Si la clavija no se acopla al contacto, inviértala. Si aún así no se ajusta, comuníquese con un electricista cualificado para que instale un enchufe polarizado apropiado.** Nunca cambie la clavija. El doble aislamiento elimina la necesidad de cables con tres hilos y sistemas de suministro eléctrico con conexión a tierra. **Sólo es aplicable a las herramientas de Clase II.**
- **Evite el contacto del cuerpo con superficies conectadas a tierra, tales como tuberías, radiadores, registros y refrigeradores.** El riesgo de choque eléctrico aumenta si su cuerpo hace tierra.
- **No exponga las herramientas eléctricas a la lluvia o a condiciones de mucha humedad.** Si entra agua en una herramienta eléctrica, aumenta el riesgo de choque eléctrico.
- **No maltrate el cable. Nunca tome el cable para transportar la herramienta ni para desconectarla del enchufe. Mantenga el cable alejado de las fuentes de calor, el aceite, las orillas afiladas o las piezas en movimiento. Cambie inmediatamente los cables dañados.** Los cables dañados aumentan el peligro de choque eléctrico.
- **Cuando opere una máquina herramienta a la intemperie, utilice un alargador marcado “W-A” o “W”.** Estos alargadores están clasificados para ser usados a la intemperie y reducen el riesgo de descarga eléctrica. Al usar un alargador, asegúrese de que tenga el calibre necesario para llevar la corriente que su producto requerirá. Un alargador de un calibre insuficiente causará una caída en la tensión de la línea dando por resultado la pérdida de energía y sobrecalentamiento. La tabla siguiente muestra el tamaño correcto para utilizar dependiendo de la longitud del alargador y del amperaje nominal de la placa de identificación. En caso de duda, utilice el de mayor calibre. Cuanto más pequeño es el número del calibre, más resistente es el alargador.

Calibre mínimo para cordones de extensión

Volts	Longitud total del cordón en metros				
120V	0-7,6	7,6-15,2	15,2-30,4	30,4-45,7	
240V	0-15,2	15,2-30,4	30,4-60,9	60,9-91,4	

Amperaje		Calibre del cordón AWG				
Más de	No más de					
0	- 6	18	16	16	14	
6	- 10	18	16	14	12	

SEGURIDAD PERSONAL

- **Al utilizar una herramienta eléctrica, esté atento, concéntrese en lo que hace y aplique el sentido común. No utilice la herramienta si se encuentra fatigado o bajo la influencia de drogas, alcohol o fármacos.** Mientras se utilizan herramientas eléctricas, basta un instante de distracción para sufrir lesiones graves.
- **Lleve ropa adecuada. No utilice ropa suelta ni joyas. Recójase el cabello largo. Mantenga el cabello, la ropa y los guantes apartados de las piezas en movimiento.** Las partes móviles pueden atrapar las prendas de vestir sueltas, las joyas y el cabello. Los orificios de ventilación suelen cubrir piezas en movimiento, por lo que también se deben evitar.
- **Evite puestas en marcha accidentales.** Asegúrese de que el interruptor esté apagado antes de enchufar la máquina. Transportar las herramientas con el dedo sobre el interruptor o enchufarlas con el interruptor encendido favorece los accidentes.
- **Antes de poner en marcha la herramienta, retire las llaves de ajuste.** Una llave que se deje en una pieza giratoria de la herramienta puede provocar lesiones.
- **No ponga en peligro su estabilidad. Manténgase siempre bien apoyado y equilibrado.** Un buen apoyo y equilibrio permiten controlar mejor la herramienta si se produce algún imprevisto.
- **Utilice el equipo de seguridad. Lleve siempre lentes protectores.** Cuando sea adecuado, también se debe usar mascarilla antipolvo, zapatos de suela antideslizante, casco o protectores auditivos.

USO Y CUIDADOS DE LA HERRAMIENTA

- **Utilice abrazaderas u otro elemento adecuado para sujetar y apoyar la pieza de trabajo en una plataforma estable.** Sujetar la pieza con la mano o contra el cuerpo es inestable y facilita la pérdida de control.
- **No fuerce la herramienta. Emplee la herramienta correcta para cada aplicación.** La herramienta correcta hace el trabajo mejor y más seguro dentro del rango para el que ha sido diseñada.
- **No utilice la herramienta si el interruptor no la enciende y apaga.** Cualquier herramienta que no pueda controlarse con el interruptor es peligrosa y se debe reparar.
- **Desconecte la clavija del enchufe antes de proceder a cualquier ajuste, cambiar un accesorio o guardar la herramienta.** Estas medidas de seguridad preventiva reducen el riesgo de poner en marcha la herramienta accidentalmente.
- **Cuando no las utilice, guarde las herramientas fuera del alcance de los niños o de cualquier persona no capacitada.** Las herramientas son peligrosas en manos de usuarios no capacitados.
- **Cuide las herramientas. Conserve las herramientas de corte afiladas y limpias.** Unas herramientas adecuadamente cuidadas y con los bordes de corte afilados se atascan menos y son más fáciles de controlar.
- **Compruebe si las piezas móviles se desalinean o atascan, si hay alguna pieza rota o cualquier otra circunstancia que pueda afectar la operación de la herramienta. Si la herramienta está dañada, hágala reparar antes de usarla.** Muchos accidentes los provocan unas herramientas mal cuidadas.
- **Utilice únicamente los accesorios recomendados por el fabricante para su modelo.** Un mismo accesorio puede ser adecuado para una herramienta, pero peligroso si se usa en otra.

SERVICIO

- **El servicio a la herramienta sólo debe realizarlo personal cualificado.** El servicio o mantenimiento realizados por personal no calificado puede dar como resultado un riesgo de lesiones.
- **Al proceder al mantenimiento de una herramienta, utilice únicamente refacciones idénticas. Siga las instrucciones de la sección “Mantenimiento” de este manual.** La utilización de piezas no autorizadas, o no respetar las instrucciones de mantenimiento, puede suponer un peligro de choque eléctrico o de lesiones.

Normas específicas de seguridad adicionales para sierras de vaivén

- **Sujete la herramienta por las superficies aislantes si lleva a cabo una operación en que la herramienta pueda tocar un conductor oculto.** El contacto con un conductor activo provocará que las piezas metálicas de la herramienta conduzcan electricidad y que el operador reciba una descarga eléctrica.
- **Permita que el motor se detenga por completo antes de retirar la hoja de la línea de corte.** Las hojas en movimiento pueden impactar la pieza de trabajo y romperse, dañar la pieza de trabajo o causar la pérdida de control de la herramienta y posibles lesiones corporales.
- **Mantenga las empuñaduras secas, limpias, libres de aceite y grasa.** Esto permitirá un mejor control de la herramienta.
- **Mantenga las hojas afiladas.** Las hojas romas pueden hacer que la sierra se desvíe o estanque bajo presión.
- **Limpie su herramienta con frecuencia, especialmente después de usos prolongados.** El polvo y la arenilla que contienen partículas metálicas se acumulan con frecuencia en las superficies interiores y podrían ocasionar peligro de descarga eléctrica.
- **No opere esta herramienta durante períodos largos de tiempo.** La vibración causada por la acción de operación de esta herramienta puede causar lesiones permanentes a los dedos, las manos y los brazos. Utilice guantes para una mayor amortiguación, tome descansos frecuentes y limite el tiempo de uso diario.

▲ADVERTENCIA: Siempre utilice protección ocular cuando opere esta máquina herramienta.

▲ADVERTENCIA: Parte del polvo generado al lijar, serrar, esmerilar y taladrar con máquinas herramienta, así como al realizar otras actividades del sector de la construcción, contienen productos químicos que pueden producir cáncer, defectos congénitos u otras afecciones reproductivas. Ejemplos de esas sustancias químicas son:

- plomo procedente de pinturas a base de plomo,
- óxido de silicio cristalino procedente de ladrillos, cemento y otros productos de mampostería y
- arsénico y cromo procedentes de madera tratada químicamente (CCA).

El peligro derivado de estas exposiciones que usted enfrente varía en función de la frecuencia con que se realice este tipo de trabajo. Para reducir la exposición a esas sustancias químicas: trabaje en una zona bien ventilada y llevando equipos de seguridad aprobados, como mascarillas antipolvo especialmente diseñadas para filtrar partículas microscópicas.

- **Evite el contacto prolongado con el polvo procedente del lijado, serrado, esmerilado y taladrado eléctricos, así como de otras actividades del sector de la construcción. Lleve ropa protectora y lave con agua y jabón las zonas expuestas.** Si permite que el polvo se introduzca en la boca o los ojos o quede sobre la piel, puede favorecer la absorción de productos químicos peligrosos.

▲ADVERTENCIA: El uso de esta herramienta puede generar o dispersar polvo lo cual puede causar lesiones respiratorias serias y permanentes y otros tipos de lesión. Siempre use protección respiratoria aprobada por NIOSH/OSHA para la exposición al polvo. Dirija las partículas en dirección opuesta a su cara y cuerpo.

▲ADVERTENCIA: Utilice una protección auditiva apropiada durante el uso. En determinadas condiciones y con utilizaciones prolongadas, el ruido generado por este producto puede favorecer la pérdida de audición.

- La etiqueta de su herramienta puede incluir los siguientes símbolos. Los símbolos y sus definiciones son los siguientes:

V..... voltios	A..... amperios
Hz..... hertzios	W..... vatios
min minutos	~ corriente alterna
==== corriente directa	n ₀ velocidad sin carga
<input type="checkbox"/> construcción de Clase II	.../min revoluciones por minuto
<input type="checkbox"/> terminal con conexión a tierra	sfp pies de superficie por minuto
▲ símbolo de alerta de seguridad	

CONSERVE ESTAS INSTRUCCIONES

COMPONENTES

- A. Conmutador tipo gatillo
- B. Botón de bloqueo
- C. Cuadrante de control de velocidad
- D. Palanca sin llave de la hoja
- E. Base

Motor

Su herramienta DEWALT viene con un motor fabricado por DEWALT. Compruebe que su suministro eléctrico concuerde con el indicado en la placa nominal.

Voltios 50/60 Hz o “sólo AC” significa que su herramienta debe operarse con corriente alterna y **nunca** con corriente continua. Voltios DC-60 Hz ó AC/DC significa que su herramienta puede ser operada con corriente alterna o continua.

Una reducción de voltaje superior al 10% provocará pérdida de potencia y sobrecalentamiento. Todas las herramientas DEWALT vienen probadas de fábrica; si esta herramienta no funciona, revise el abastecimiento eléctrico.

FUNCIONAMIENTO

▲ADVERTENCIA : Para reducir el riesgo de lesiones corporales graves, apague la herramienta y desconéctela de la fuente de alimentación antes de realizar ajustes o de quitar o poner accesorios.

Conmutador tipo gatillo (Fig. 1)

Para arrancar la sierra de vaivén, apriete el conmutador tipo gatillo (A).

Para hacer que la sierra opere a una velocidad menor y detenerla completamente, suelte el conmutador tipo gatillo.

Para una operación continua, apriete el conmutador tipo gatillo y luego presione el botón del seguro (B). Una vez presionado el botón del seguro, suelte el conmutador tipo gatillo.

Para dejar de operar continuamente la sierra, apriete el gatillo y el seguro se desactivará.

Conmutador de velocidad variable (Fig. 1, 2)

La velocidad variable se controla en una de dos formas: con el cuadrante de control de velocidad (C) o con el conmutador tipo gatillo (A).

CUADRANTE DE CONTROL DE VELOCIDAD

Al girar el cuadrante de control de velocidad (C) en cualquiera de las dos direcciones, ajustará la velocidad máxima u oscilaciones por minuto a la cual corta la hoja. El cuadrante de control de velocidad ajusta la velocidad a la cual corta la hoja, de aproximadamente 500 SPM a aproximadamente 3100 SPM.

CONMUTADOR TIPO GATILLO

Al presionar el conmutador tipo gatillo, las oscilaciones por minuto seguirán aumentando pero no sobrepasarán la configuración máxima del cuadrante de control de velocidad. Al soltar el gatillo, las oscilaciones por minuto de la hoja disminuirán.

Instalación y desinstalación de la hoja (Fig. 3)

▲PRECAUCIÓN: Apague y desenchufe la herramienta antes de realizar cualquier ajuste o de instalar/desinstalar accesorios.

PARA INSTALAR UNA HOJA

1. Levante la palanca sin llave de la hoja (D).
2. Inserte la hoja en el mecanismo de sujeción (F) al tiempo que guía la parte posterior de la hoja en la ranura de los rodillos de guía (G).
3. El vástago debería encontrarse completamente dentro del mecanismo de sujeción como lo muestra la Figura 4.
4. Suelte la palanca sin llave de la hoja.

PARA RETIRAR UNA HOJA

1. Levante la palanca sin llave de la hoja (D).
2. Sacuda ligeramente para hacer que la hoja se salga.

▲PRECAUCIÓN: No toque las hojas usadas, puede que estén calientes. Podría resultar en lesiones corporales.

Ajuste para cortes biselados (Fig. 5)

Se pueden realizar cortes biselados de cualquier ángulo, entre 0 y 45 grados. Para ajustar la base de la sierra, afloje el tornillo (H) que se encuentra en la parte inferior de la herramienta y gire la base hasta colocarla en el ángulo deseado. Una vez fijada la base, ajuste bien el tornillo y utilice la sierra como de costumbre.

Acción de corte – Orbital o recto (Fig. 6)

PRECAUCIÓN: Verifique que la herramienta no esté bloqueada en operación continua antes de enchufarla a la toma de corriente. Si el conmutador tipo gatillo está bloqueado en operación continua, la herramienta arrancará apenas sea enchufada. Esto podría dañar la herramienta o resultar en lesiones corporales.

Esta sierra de vaivén viene equipada para cortar de cuatro formas, tres tipos de corte orbital y uno recto. La acción orbital tiene un movimiento más agresivo de hoja y está diseñado para cortar materiales blandos como madera o plástico. La acción orbital permite un corte más rápido pero más tosco del material. En una acción orbital, la hoja se mueve hacia adelante durante la oscilación del corte además del movimiento vertical.

NOTA: Jamás se deberían cortar metales o maderas duras con acción orbital.

Para ajustar la acción de corte, mueva la palanca de acción de corte (I) entre las cuatro posiciones de corte: 0, 1, 2 y 3. La posición 0 es un corte recto. Las posiciones 1, 2 y 3 son de corte orbital. La agresividad del corte aumenta en la medida que la palanca se ajuste de uno a tres, siendo tres el corte más agresivo.

Ajuste para cortes de 90°

PRECAUCIÓN: Apague y desenchufe la herramienta antes de realizar cualquier ajuste o de instalar/desinstalar accesorios.

1. La marca de 0° de la placa del cuadrante debería quedar alineada con la marca en la base.
2. Si es necesario ajustar la sierra, afloje el tornillo en la placa del cuadrante y ajústela según necesite. Coloque una escuadra contra la hoja y la base y ajuste la base para que quede a 90°.

Contra astillado (Fig. 7)

Esta sierra de vaivén tiene una base especial doble que posee una apertura amplia en un extremo, para cortes generales y biselados, y una ranura bastante angosta en el otro extremo para ser utilizado exclusivamente con hojas cóncavas. Esta ranura estrecha hace las veces de un dispositivo contra astillado (J) y es particularmente útil cuando se corta contrachapado.

Para invertir la posición de la base (Fig. 7)

PRECAUCIÓN: Apague y desenchufe la herramienta antes de realizar cualquier ajuste o de instalar/desinstalar accesorios.

Para invertir la posición de la base, retire el tornillo (H) que se encuentra en la parte inferior de la herramienta, como lo muestra la Figura 8 y separe la base de la sierra de vaivén. [Tenga cuidado de fijarse en la posición de la abrazadera (K). Esta abrazadera deberá volverse a instalar en la misma posición. De lo contrario, la base no entrará bien.] Voltee la base y vuelva a instalarla teniendo cuidado que cuando la ranura esté hacia adelante, el tornillo entre por el orificio de la base pero que cuando la apertura amplia esté hacia adelante, el tornillo pase por la ranura de la base.

Corte

ADVERTENCIA: La sierra vaivén no debería operarse si no tiene puesta la base. De lo contrario, podría resultar en lesiones corporales serias.

CORTES DE ORIFICIOS (FIG. 8, 9)

Un corte de orificio es un método sencillo para hacer un corte interior. La sierra se puede insertar directamente en el panel o tabla sin antes perforarlo para guiar el corte. En los cortes de orificio, mida la superficie a cortar y márquela claramente con un lápiz. Luego incline la sierra hacia adelante hasta que el extremo delantero de la base quede firmemente sentada sobre la superficie de trabajo y la hoja sea capaz de cortar el grosor completo con una oscilación completa. Encienda la herramienta y deje que alcance su velocidad máxima. Sostenga firmemente la sierra y baje el borde posterior de la herramienta lentamente, hasta que la hoja alcance el máximo de profundidad. Sostenga la base al ras de la madera y comience a cortar. No retire la hoja del corte mientras se siga moviendo. La hoja debe detenerse por completo.

CORTE DE MADERA

En todo momento, sostenga correctamente la pieza de trabajo. Use la velocidad mayor para cortar madera. No intente girar la herramienta cuando la hoja esté contra el material a cortar. Esto podría estancar el motor. Coloque la parte delantera de la base en el material al cortar y sostenga la base de la sierra de vaivén firmemente contra la madera mientras la corte. No fuerce la herramienta; deje que la hoja corte a su propia velocidad. Cuando el corte esté completo, apague la sierra de vaivén. Deje que la hoja se detenga completamente y luego ponga la sierra a un lado antes de liberar la pieza.

CORTE DE METALES

Cuando corte láminas de metal, es mejor si sujeta una pieza de madera a la parte de abajo de la lámina; esto asegurará que se haga un corte limpio sin riesgo de vibración o rasgadura del metal. Siempre recuerde usar una hoja más fina para metales ferrosos (para aquellos que contengan mucho hierro); y use una hoja más gruesa para metales no ferrosos (que no contienen hierro). Use la velocidad mayor para cortar metales blandos (aluminio, cobre, latón, acero suave, cañería galvanizada, ductos de láminas de metal, etc.). Use la velocidad menor para cortar plásticos, azulejos, superficies laminadas, metales duros y hierro fundido.

MANTENIMIENTO

ADVERTENCIA: Para reducir el riesgo de lesiones personales graves, apague la herramienta y desconéctela de la fuente de energía antes de realizar ajustes o de retirar o instalar cualquier dispositivo o accesorio.

Limpeza

ADVERTENCIA: Sople la suciedad y el polvo de todos los conductos de ventilación con aire seco, al menos una vez por semana. Para reducir el riesgo de lesiones, utilice siempre protección para los ojos aprobada ANSI Z87.1 al realizar esta tarea.

ADVERTENCIA: Nunca utilice solventes ni otros químicos abrasivos para limpiar las piezas no metálicas de la herramienta. Estos productos químicos pueden debilitar los materiales plásticos utilizados en estas piezas. Utilice un paño humedecido sólo con agua y jabón neutro. Nunca permita que penetre líquido dentro de la herramienta ni sumerja ninguna de las piezas en un líquido.

Lubricación

NOTA: NUNCA rocíe o aplique en ninguna otra forma lubricantes o solventes de limpieza dentro de la herramienta. Esto puede afectar seriamente la duración y el desempeño de la herramienta.

Las herramientas DEWALT vienen debidamente lubricadas de la fábrica y están listas para usarse. Sin embargo, se recomienda que una vez al año un lleve o envíe la herramienta a un centro de servicio certificado para una inspección y limpieza a fondo.

Accesorios

ADVERTENCIA: Debido a que no se han probado con este producto otros accesorios que no sean los que ofrece DEWALT, el uso de dichos accesorios con esta herramienta podría ser peligroso. Para reducir el riesgo de lesiones, con este producto deben usarse sólo los accesorios recomendados por DEWALT.

Los accesorios que se recomiendan para utilizar con la herramienta están disponibles a un costo adicional en su distribuidor local o en un centro de mantenimiento autorizado. Si necesita ayuda para localizar algún accesorio, póngase en contacto con DEWALT Industrial Tool Co., 701 East Joppa Road, Baltimore, MD 21286, llame al 1-800-4-DEWALT (1-800-433-9258) o visite nuestro sitio web www.dewalt.com.

Reparaciones

Para garantizar la SEGURIDAD y la CONFIABILIDAD, deberán hacerse reparaciones, mantenimiento y ajustes de esta herramienta en los centros autorizados de servicio DEWALT u otras organizaciones autorizadas. Estas organizaciones prestan servicio a las herramientas DEWALT y emplean siempre refacciones legítimas DEWALT.

Póliza de Garantía

IDENTIFICACIÓN DEL PRODUCTO:

Sello o firma del Distribuidor.

Nombre del producto: _____ Mod./Cat.: _____

Marca: _____ Núm. de serie: _____

(Datos para ser llenados por el distribuidor)

Fecha de compra y/o entrega del producto: _____

Nombre y domicilio del distribuidor donde se adquirió el producto: _____

Este producto está garantizado por un año a partir de la fecha de entrega, contra cualquier defecto en su funcionamiento, así como en materiales y mano de obra empleados para su fabricación. Nuestra garantía incluye la reparación o reposición del producto y/o componentes sin cargo alguno para el cliente, incluyendo mano de obra, así como los gastos de transportación razonablemente erogados derivados del cumplimiento de este certificado.

Para hacer efectiva esta garantía deberá presentar su herramienta y esta póliza sellada por el establecimiento comercial donde se adquirió el producto, de no contar con ésta, bastará la factura de compra.

EXCEPCIONES.

Esta garantía no será válida en los siguientes casos:

- Cuando el producto se hubiese utilizado en condiciones distintas a las normales;
- Cuando el producto no hubiese sido operado de acuerdo con el instructivo de uso que se acompaña;
- Cuando el producto hubiese sido alterado o reparado por personas distintas a las enlistadas al final de este certificado.

Anexo encontrará una relación de sucursales de servicio de fábrica, centros de servicio autorizados y franquiciados en la República Mexicana, donde podrá hacer efectiva su garantía y adquirir partes, refacciones y accesorios originales.

Garantía limitada por tres años

DEWALT reparará, sin cargo, cualquier falla que surja de defectos en el material o la fabricación del producto, por hasta tres años a contar de la fecha de compra. Esta garantía no cubre fallas de las piezas causadas por su desgaste normal o abuso a la herramienta. Para mayores detalles sobre la cobertura de la garantía e información acerca de reparaciones realizadas bajo garantía, visítenos en www.dewalt.com o diríjase al centro de servicio más cercano. Esta garantía no aplica a accesorios o a daños causados por reparaciones realizadas o intentadas por terceros. Esta garantía le otorga derechos legales específicos, además de los cuales puede tener otros dependiendo del estado o la provincia en que se encuentre. Además de la garantía, las herramientas DEWALT están cubiertas por:

1 AÑO DE SERVICIO GRATUITO

DEWALT mantendrá la herramienta y reemplazará las piezas gastadas por su uso normal, sin cobro, en cualquier momento durante un año a contar de la fecha de compra. Los artículos gastados por la clavadora, tales como la unidad de hoja y retorno del impulsador, no están cubiertas.

GARANTÍA DE REEMBOLSO DE SU DINERO POR 90 DÍAS

Si no está completamente satisfecho con el desempeño de su máquina herramienta, láser o clavadora DEWALT, cualquiera sea el motivo, podrá devolverlo hasta 90 días de la fecha de compra con su recibo y obtener el reembolso completo de su dinero – sin necesidad de responder a ninguna pregunta.

AMÉRICA LATINA: Esta garantía no se aplica a los productos que se venden en América Latina. Para los productos que se venden en América Latina, debe consultar la información de la garantía específica del país que viene en el empaque, llamar a la compañía local o visitar el sitio Web a fin de obtener esa información.



PARA REPARACIÓN Y SERVICIO DE SUS HERRAMIENTAS ELÉCTRICAS, FAVOR DE DIRIGIRSE AL CENTRO DE SERVICIO MÁS CERCANO

CULIACAN, SIN

Blvd. Emiliano Zapata 5400-1 Poniente
Col. San Rafael (667) 717 89 99

GUADALAJARA, JAL

Av. La Paz #1779 - Col. Americana Sector Juárez (33) 3825 6978

MEXICO, D.F.

Eje Central Lázaro Cárdenas No. 18
Local D, Col. Obrera (55) 5588 9377

MERIDA, YUC

Calle 63 #459-A - Col. Centro (999) 928 5038

MONTERREY, N.L.

Av. Francisco I. Madero 831 Poniente - Col. Centro (818) 375 23 13

PUEBLA, PUE

17 Norte #205 - Col. Centro (222) 246 3714

QUERETARO, QRO

Av. San Roque 274 - Col. San Gregorio (442) 2 17 63 14

SAN LUIS POTOSI, SLP

Av. Universidad 1525 - Col. San Luis (444) 814 2383

TORREON, COAH

Blvd. Independencia, 96 Pte. - Col. Centro (871) 716 5265

VERACRUZ, VER

Prolongación Díaz Mirón #4280 - Col. Remes (229) 921 7016

VILLAHERMOSA, TAB

Constitución 516-A - Col. Centro (993) 312 5111

PARA OTRAS LOCALIDADES:

Si se encuentra en México, por favor llame al (55) 5326 7100

Si se encuentra en U.S., por favor llame al
1-800-433-9258 (1-800 4-DEWALT)

Especificaciones

Tensión de alimentación:	DW317 120 V CA~
Consumo de corriente:	5,5A
Frecuencia de operación:	50/60 Hz
Potencia nominal:	560 W
Rotación sin carga:	0-3 100 SPM

SOLAMENTE PARA PROPÓSITO DE MÉXICO:
IMPORTADO POR: DEWALT S.A. DE C.V.
BOSQUES DE CIDROS, ACCESO RADIATAS NO.42
3A. SECCIÓN DE BOSQUES DE LAS LOMAS
DELEGACIÓN CUAJIMALPA,
05120, MÉXICO, D.F.
TEL. (52) 555-326-7100
R.F.C.: BDE810626-1W7

Para servicio y ventas consulte
"HERRAMIENTAS ELÉCTRICAS"
en la sección amarilla.

