

HOLIDAY LIVING®

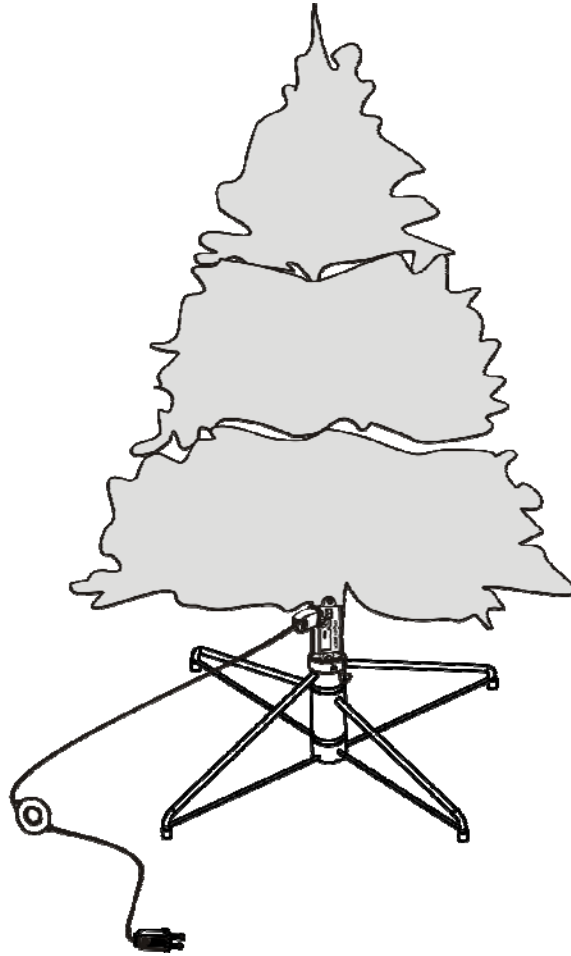
Holiday Living & Design® is a registered trademark of LF, LLC. All Rights Reserved.

ITEM #0243778

7.5 FT PRE-LIT ENGLEWOOD PINE TREE

MODEL #W14L030

Español p. 11



ATTACH YOUR RECEIPT HERE

Serial Number _____

Purchase Date _____

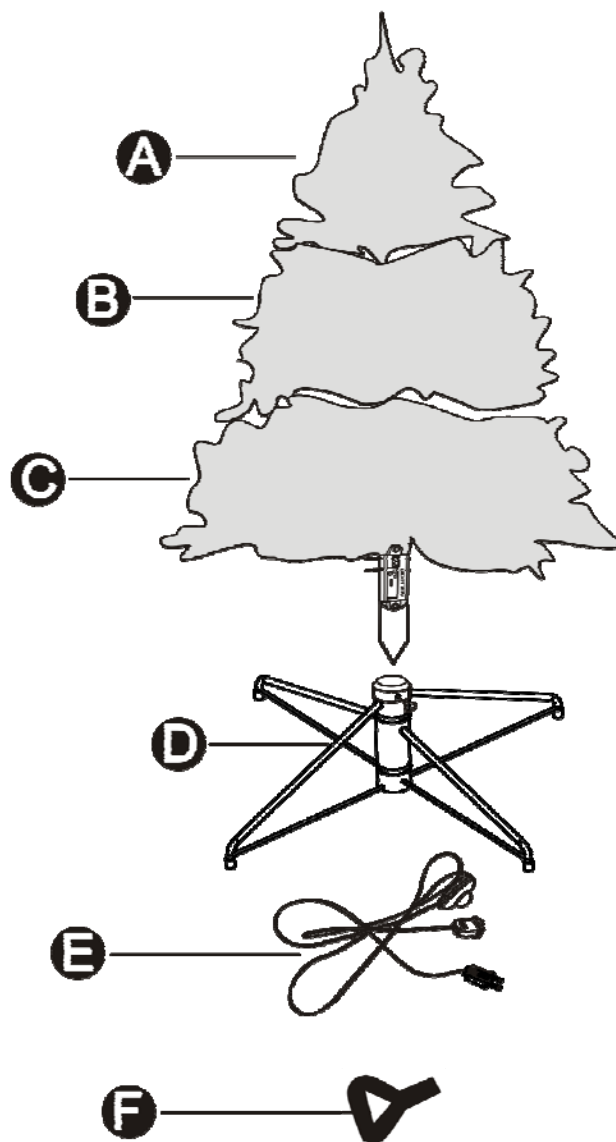


Questions, problems, missing parts? Before returning to your retailer, call our customer service department at 1-800-643-0067, 8 a.m. - 6 p.m., EST, Monday - Thursday, 8 a.m. - 5 p.m., EST, Friday.

AB15279

Lowes.com **HOLIDAY
LIVING®**

PACKAGE CONTENTS



PART	DESCRIPTION	QUANTITY
A	Top Section	1
B	Middle Section	1
C	Bottom Section	1
D	Base	1
E	Power Cord	1
F	Screw	1

⚠ SAFETY INSTRUCTIONS

Please read and understand this entire manual before attempting to assemble, operate or install the product.

WARNING

To reduce the risk of electric shock or injury:

- Do not plug in the unit before assembly.
- Keep electric wires clear of being pinched or cut during assembly or installation. Discard sets with cut or damaged insulation.
- For indoor use.

⚠ RISK OF FIRE

Do not replace attachment plug. Do not remove the safety device (fuse). Discard product if the attachment plug is damaged.

When using electrical products, basic precautions should always be followed including the following:

READ AND FOLLOW ALL SAFETY INSTRUCTIONS.

- Do not use seasonal products outdoors unless marked suitable for indoor and outdoor use. When products are used in outdoor applications, connect the product to a Ground Fault Circuit Interrupting (GFCI) outlet. If one is not provided, contact a qualified electrician for proper installation.
- This seasonal use product is not intended for permanent installation or use.
- Do not mount or place near gas or electric heaters, fireplace, candles or other similar sources of heat.
- Do not secure the wiring of the product with staples or nails, or place on sharp hooks or nails.
- Do not let lamps rest on the supply cord or on any wire.
- Unplug the product when leaving the house, when retiring for the night, or if left unattended.
- This is an electric product – not a toy! To avoid risk of fire, burns, personal injury and electric shock it should not be played with or placed where small children can reach it.
- Do not use this product for other than its intended use.
- Do not hang ornaments or other objects from cord, wire or light string.
- Do not close doors or windows on the product or extension cords as this may damage the wire insulation.
- This product employs overload protection (fuse). A blown fuse indicates an overload or short-circuit situation. If the fuse blows, unplug the product from the outlet. Also unplug any additional strings or products that may be attached to the product. Replace the fuse as per the User Servicing Instructions (follow product marking for proper fuse rating) and check the product. If the replacement fuse blows, a short-circuit may be present and the product should be discarded.
- Do not cover the product with cloth, paper or any material not part of the product when in use.
- This product has a polarized plug (one blade is wider than the other) as a feature to reduce the risk of electric shock. This plug will fit in a polarized outlet only one way. If the plug does not fit fully in the outlet, reverse the plug. If it still does not fit, contact a qualified electrician. Do not use with an extension cord unless plug can be fully inserted. Do not alter or replace the plug.
- This product is equipped with push-in type bulbs. Do not twist bulb.
- Read and follow all instructions that are on the product or provided with the product.

SAVE THESE INSTRUCTIONS.

Federal Communications Commission (FCC) Statement

FCC Caution: Any changes or modifications not expressly approved by the party responsible for compliance could void the user's authority to operate this equipment.

This device complies with Part 15 of the FCC Rules. Operation is subject to the following two conditions: (1) This device may not cause harmful interference, and (2) this device must accept any interference received, including interference that may cause undesired operation.

NOTE: This equipment has been tested and found to comply with the limits for a Class B digital device, pursuant to Part 15 of the FCC Rules. These limits are designed to provide reasonable protection against harmful interference in a residential installation. This equipment generates, uses and can radiate radio frequency energy and, if not installed and used in accordance with the instructions, may cause harmful interference to radio communications.

However, there is no guarantee that interference will not occur in a particular installation. If this equipment does cause harmful interference to radio or television reception, which can be determined by turning the equipment off and on, the user is encouraged to try to correct the interference by one or more of the following measures:

- Reorient or relocate the receiving antenna.
- Increase the separation between the equipment and receiver.
- Connect the equipment into an outlet on a circuit different from that to which the receiver is connected.
- Consult the dealer or an experienced radio/TV technician for help.

PREPARATION

Before beginning assembly of product, make sure all parts are present. Compare parts with package contents list. If any part is missing or damaged, do not attempt to assemble, install or operate the product.

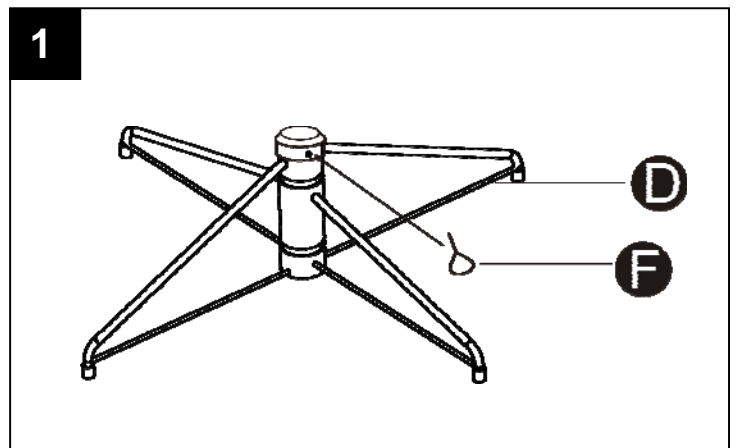
Estimated Assembly Time: 20 minutes

No tools required for assembly.

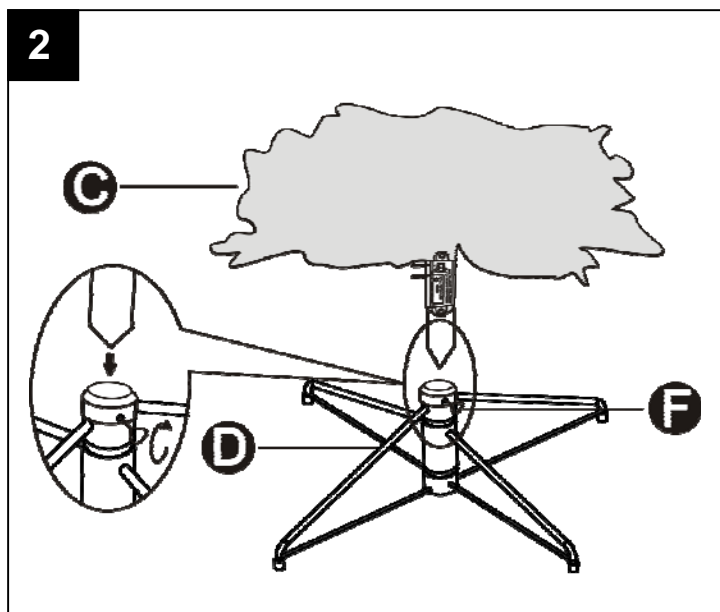
ASSEMBLY INSTRUCTIONS

1. Place the base (D) on a level surface.

Unfold the base (D) and insert the screw (F) into the hole.

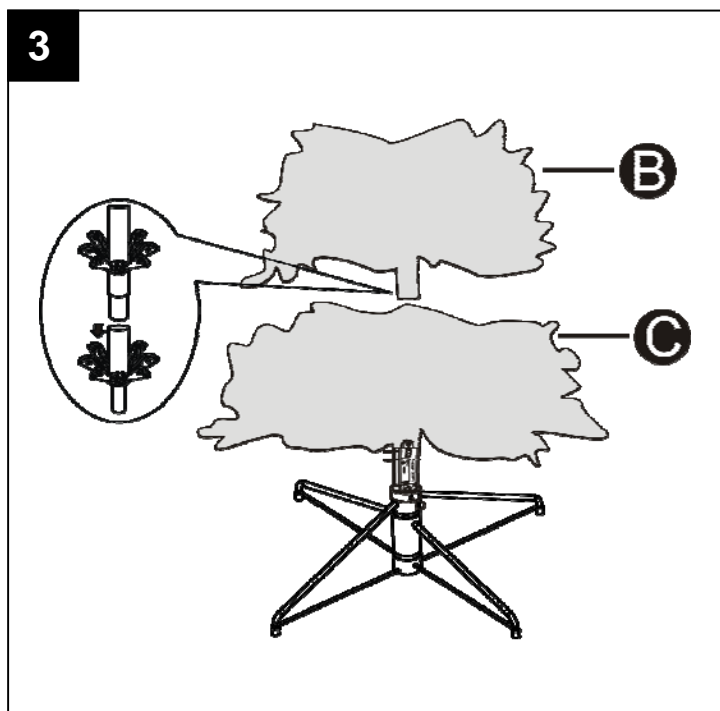


2. Insert the bottom section (C) into the base (D) and secure the base with the screw (F).

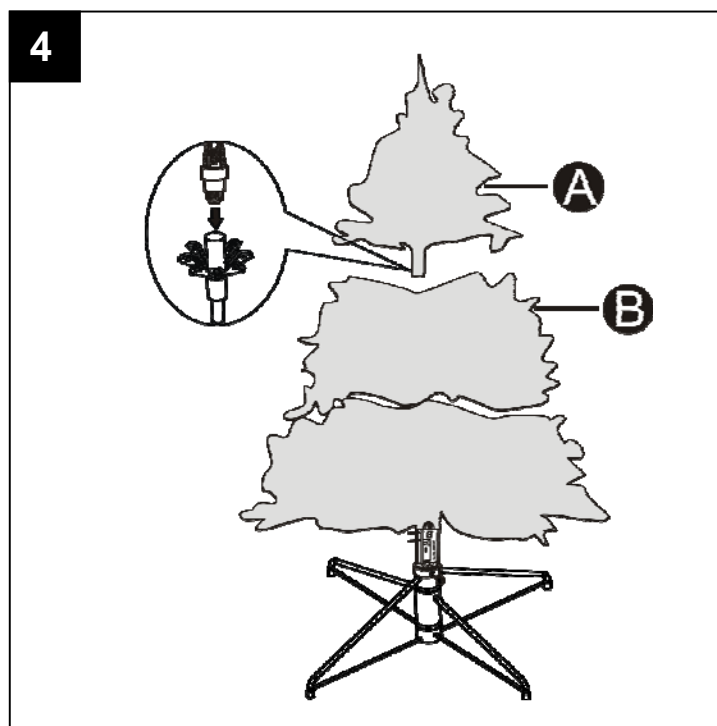


3. Insert the middle section (B) into the bottom section (C).

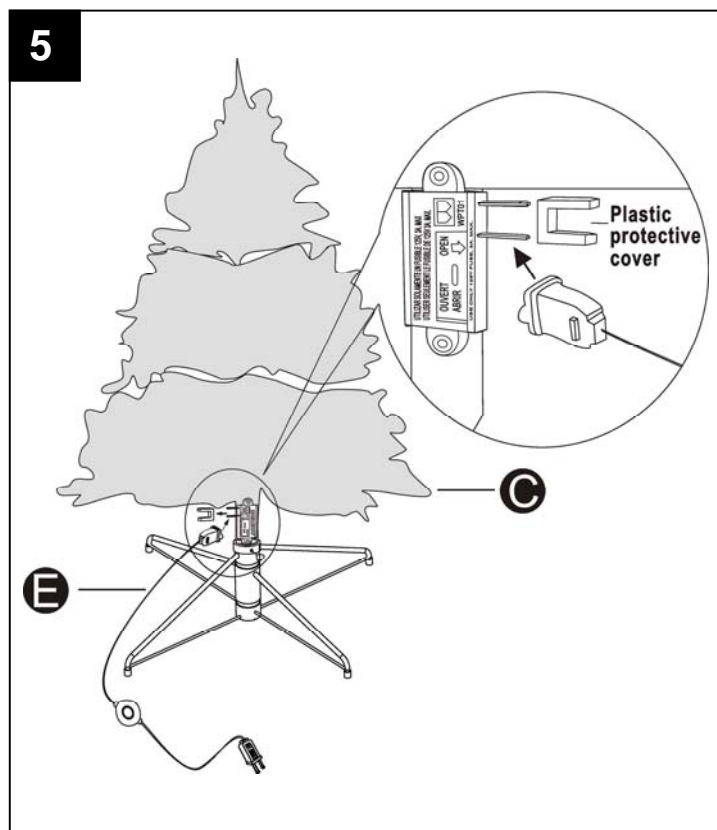
Rotate the middle section (B) slightly to ensure it matches the bottom section (C) and to ensure proper circuit connection if lights are not functioning.



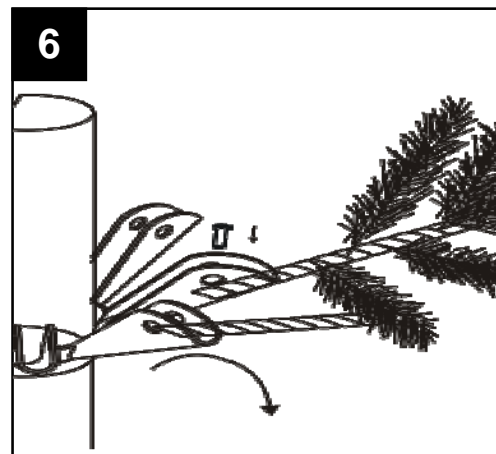
4. Insert the top section (A) into the middle section (B).
Rotate the top section (A) slightly to ensure it matches the middle section (B) and to ensure proper circuit connection if lights are not functioning.



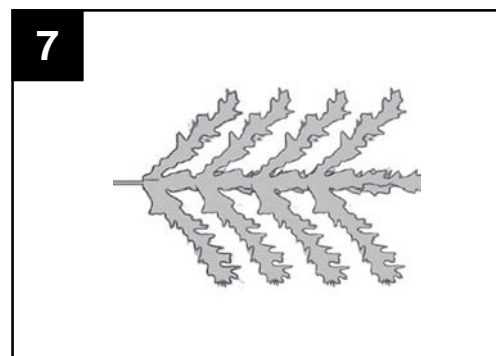
5. Remove the plastic protective cover on the plug fixed on the pole of bottom section (C). Insert the plug into the end connector of the power cord (E) with a foot pedal switch according to the magnified drawing.



6. Open all the branches.



7. Shape the branches. Starting with tips farthest from the trunk, spread one to the right, one to the left and one at the center of the main stem.



8. Plug electrical cord into a properly grounded outlet.

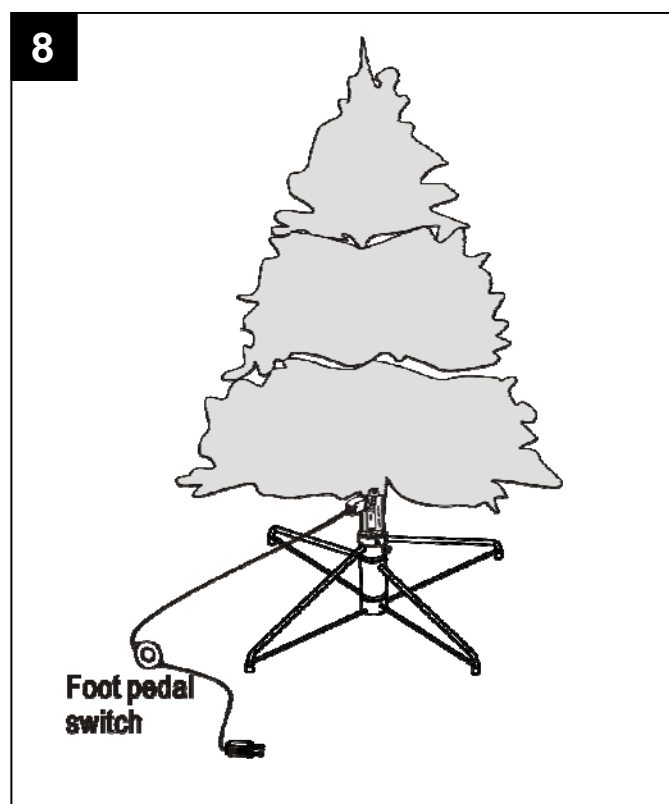
This tree comes with a foot pedal switch for easy illumination and to change functions.

This is a color changing tree.

Press the foot pedal switch to change lighting functions.

4 lighting functions are:

- i. Warm White Color Steady On
- ii. Multicolor Steady On
- iii. Color Changing
- iv. All Off



HOLIDAY
LIVING.

Lowes.com

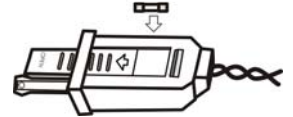
USER SERVICING INSTRUCTIONS

Replace the fuse.

This product comes with overload protection (fuse). A blown fuse indicates an overload or short circuit. If a fuse blows, unplug tree from wall outlet. Replace the fuse as per the fuse replacement instructions below (follow product marking for proper fuse rating). If the replacement fuse blows, a short circuit may be present and the product should be reviewed to determine the cause.

A) Extension cord fuse replacement (replaceable 5 amp, 125 volt fuse is located in the plug):

1. Grasp plug and remove from the receptacle or other outlet device. Do not unplug by pulling on cord.
2. Open fuse cover. Slide open the fuse access cover on top of attachment plug toward blades.
3. Remove fuse carefully.
4. Risk of fire. Replace with only a 5 amp, 125 volt fuse (provided with product).
5. Close fuse cover. Slide close the fuse access cover on top of attachment plug.

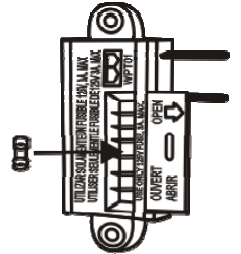


CAUTION: To reduce risk of fire – replace fuse in extension cord with only 5 amps, 125 volt fuse. Do not replace attachment plug. Discard product if the attachment plug is damaged.

B) Fuse replacement of the plug fixed on bottom section (C):

**Note: One side of this plug is for plugging into the end connector of power cord.
The opposite side of this plug is a polarized outlet which is for tree top only.**

1. Grasp power supply plug and remove from its power source.
2. Locate the plug fixed on bottom section (C). Slide access cover on top of plug towards prongs.
3. Remove blown fuse.
4. Locate spare replacement fuse provided with product.
5. Insert spare replacement fuse. Close fuse cover by sliding fuse access cover back.



CAUTION: To reduce risk of fire – replace fuse in plug fixed on bottom section (C) with only 3 A, 125 V fuse. Discard product if the attachment plug is damaged.

Replace the lamp.

- 1) Grasp plug and remove from the receptacle or other outlet device. Do not unplug by pulling on cord.
- 2) Unlock the burned out LED lamp by lifting the hook and pull lamp and plastic base straight out of lamp holder as shown in Fig. 1.
- 3) Insert the spare LED lamp into the lamp holder in correct direction and lock the hook of lamp base by pushing lock down into the tab as shown in Fig. 2.
- 4) Replace lamp with only 3 volt, 0.06 watt LED type lamps provided with this product.

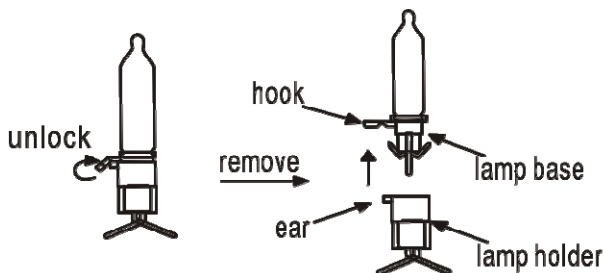


Fig. 1 Unlock and remove the burned out lamp

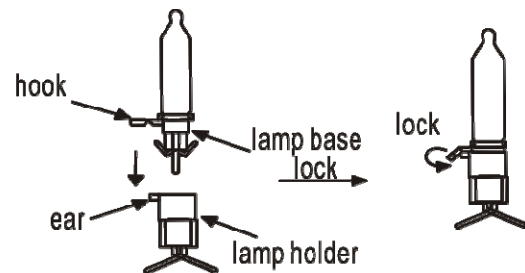
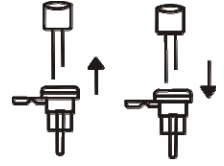


Fig. 2 Replace with the spare lamp

If the new lamp base does not fit in lampholder, follow these steps:

- Remove the base of burned out bulb by straightening lamp leads and gently pull bulb out.
- Thread leads of new bulb through holes in old base with one lead in each hole.
- After bulb is fully inserted into base, bend each lead up so that the leads will touch the contacts inside the lampholder.



CARE AND MAINTENANCE

- Before using or reusing, inspect product carefully. Discard any products that have cut, damaged or frayed wire insulation or cords, cracks in the lampholders or enclosures, loose connections, or exposed copper wire.
- When storing the product, carefully remove the product from wherever it is placed to avoid any undue strain or stress on the product conductors, connections, and wires.
- When not in use, store neatly in a cool, dry location protected from sunlight.

TROUBLESHOOTING

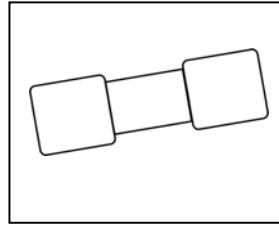
PROBLEM	POSSIBLE CAUSE	CORRECTIVE ACTION
The product does not light.	1. One or more of the bulbs are loose or out of the sockets. Each section of the tree is not well-connected.	1. Unplug it. Starting with the first unlit bulb, gently push (don't twist) each bulb firmly into the socket. At the same time, look and feel for a broken bulb in the socket or an empty socket where a bulb has fallen out. Make sure each section of the tree is well connected.
A bulb is broken.	1. The bulb was impacted or shifted when transporting.	1. Mark it with a piece of tape and unplug the product before removing the bulb socket and any fragments. Replace the broken bulb. Should a light flicker while doing this, you have probably found the faulty bulb. Replace with a new bulb.
A bulb is burned out.	1. Incorrect bulb or voltage is too high.	1. The remaining bulbs will stay lit; however, it is best to replace any burned out bulbs as soon as you find them.

REPLACEMENT PARTS LIST

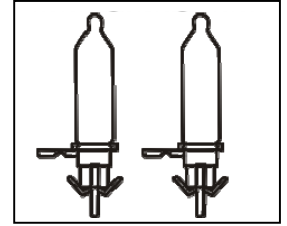
For replacement parts, call our customer service department at 1-800-643-0067, 8 a.m. - 6 p.m., EST, Monday - Thursday, 8 a.m. - 5 p.m., EST, Friday.

PART	DESCRIPTION	PART #
G	FUSE	W14L0330-F
H	BULB	W14L0330-B

G



H



Printed in China

Holiday Living & Design® is a registered trademark of LF, LLC. All Rights Reserved.

HOLIDAY
LIVING.

Lowes.com