

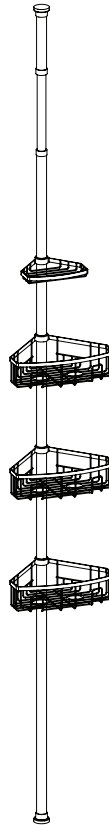
styleselections®

Style Selections® is a registered trademark of LF, LLC. All Rights Reserved.

ITEM #0761366, 0761367, 0761368

POLE SHOWER CADDY

MODEL #41450L, 41451L, 41456L



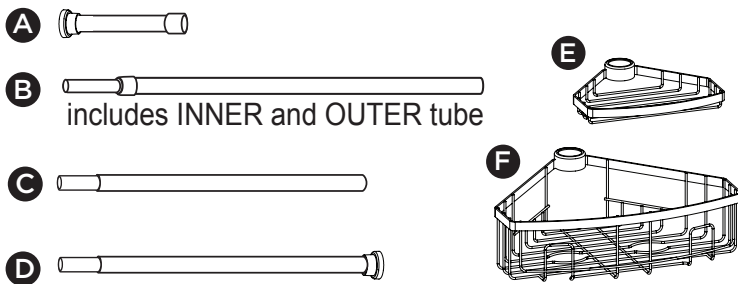
ATTACH YOUR RECEIPT HERE

Serial Number _____ Purchase Date _____



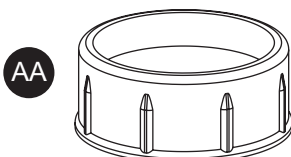
Questions, problems, missing parts? Before returning to your retailer, call our customer service department at 1-877-888-8225, 8 a.m. - 8 p.m., EST, Monday - Friday.

PACKAGE CONTENTS

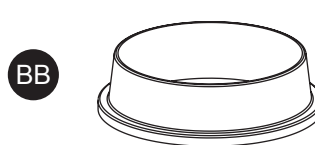


PART	DESCRIPTION	QUANTITY
A	Top tube	1
B	2-piece tube	1
C	Long tapered tube	3
D	Bottom tube	1
E	Small basket	1
F	Large basket	3

HARDWARE CONTENTS (shown actual size)



Plastic O-ring
Qty. 4



Rubber O-ring
Qty. 4

! SAFETY INFORMATION

Please read and understand this entire manual before attempting to assemble or install the product.

! WARNING

- Two people are recommended to ensure safe assembly and to hold pole in place for final adjustment.
- The load capacity for each basket is approximately 10 lbs.

PREPARATION

Before beginning assembly, make sure all parts are present. Compare parts with package contents list and hardware contents list. If any part is missing or damaged, do not attempt to assemble the product.

Estimated Assembly Time: 15 minutes

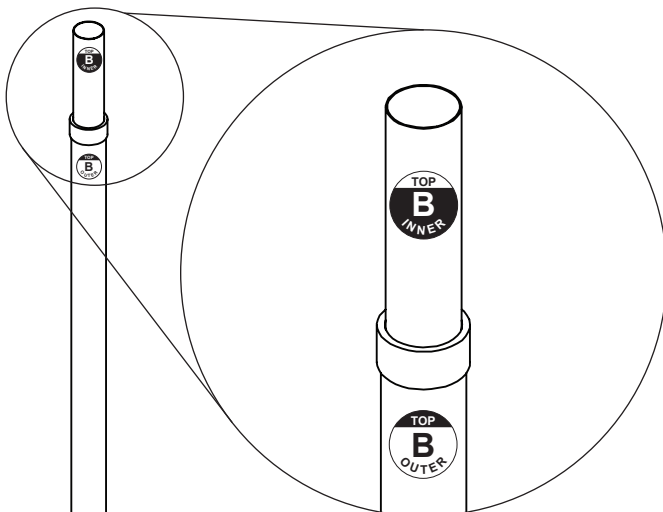
No tools required for assembly.

! IMPORTANT

Before beginning pole assembly, make sure part B is assembled correctly.

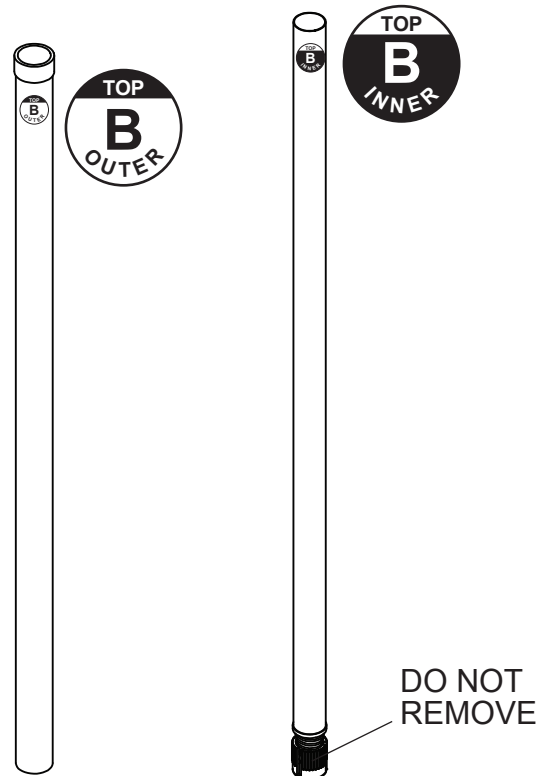
If the 2-piece tube (B) is assembled as shown, continue to Step 1 of the Assembly Instructions section. **DO NOT REMOVE** the packing material at the bottom of the 2-piece tube (B) until beginning Step 1 of the Assembly Instructions.

CORRECT ASSEMBLY



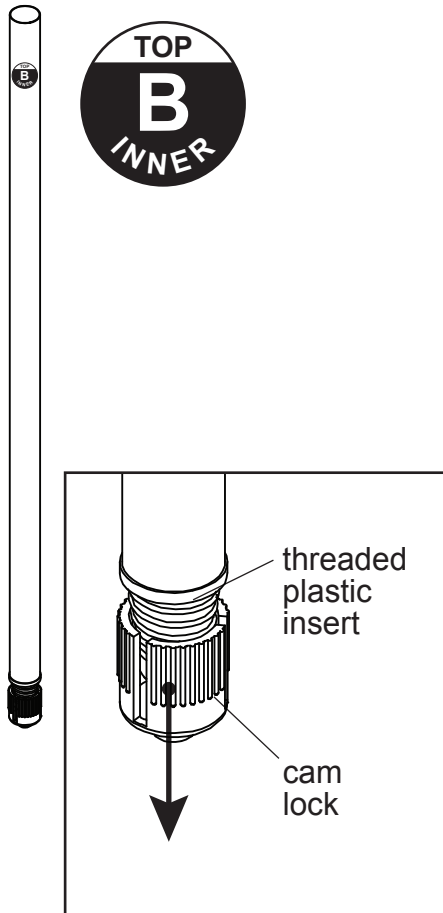
DO NOT REMOVE the packing material at the bottom of the 2-piece tube (B) until beginning Step 1 of the Assembly Instructions.

If the 2-piece tube (B) comes apart, position the tubes as shown. Refer to the instructions on page 3 to re-assemble the tube. Part B includes 2 tubes (one labeled OUTER, one INNER). The INNER tube has a white plastic cam lock mechanism at the bottom. **DO NOT REMOVE THE CAM LOCK.**

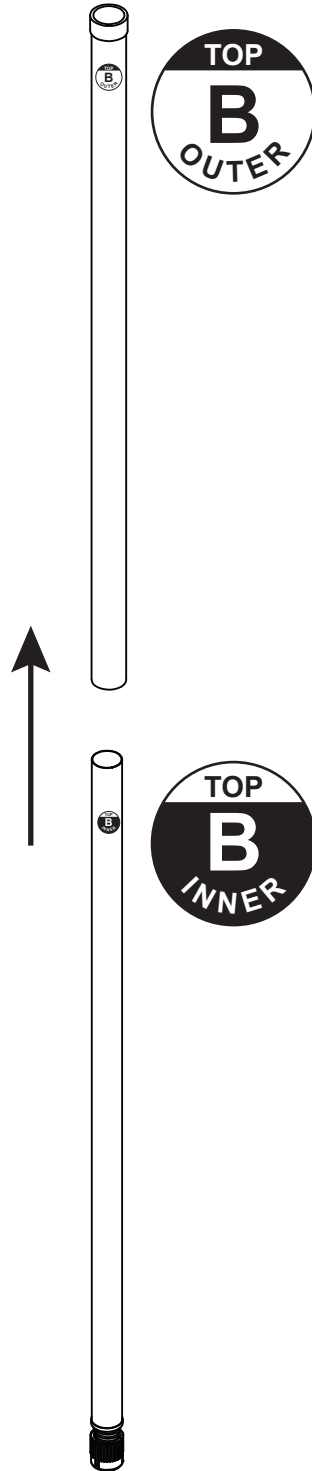


RE-ASSEMBLING THE 2-PIECE TUBE (B)

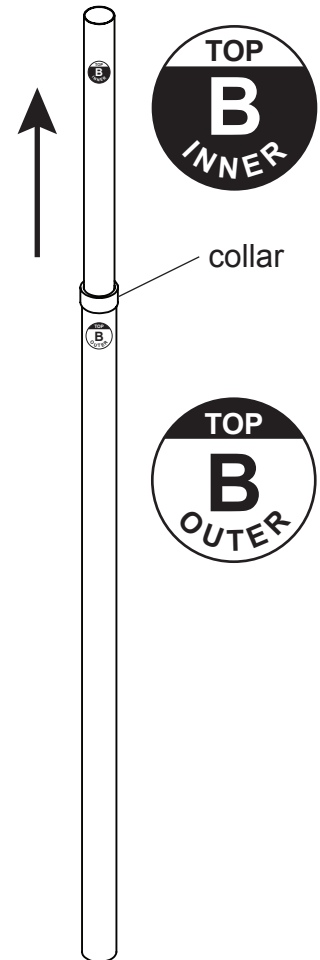
1. Twist the white plastic cam lock mechanism on the INNER tube until it reaches the bottom of the threaded plastic insert.



2. Insert the top of the INNER tube into the bottom of the OUTER tube.



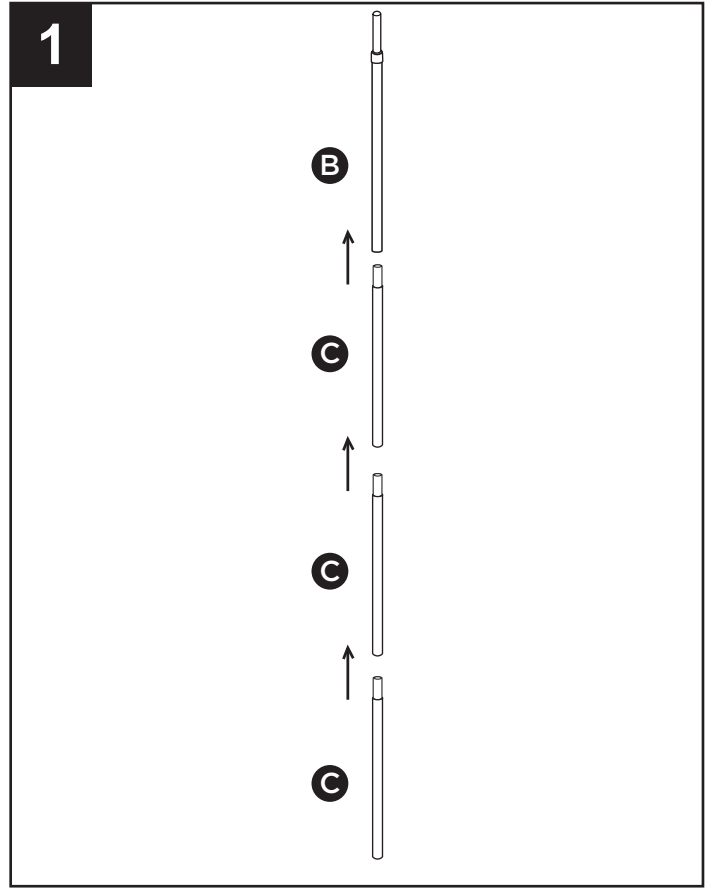
3. Continue to push the INNER tube through the OUTER tube until it comes up through the collar at the top. Refer to Step 6 of the Assembly Instructions section to adjust height.



ASSEMBLY INSTRUCTIONS

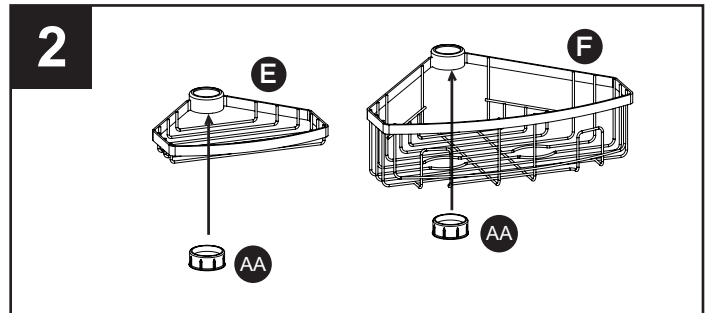
1. Remove packing material from bottom of tube with twist lock (B). Insert narrow end of long tapered tube (C) into tube with twist lock (B). Then, insert the narrow end of another long tapered tube (C) into the assembly, followed by the remaining long tapered tube (C).

Note: If ceiling height is less than 103 inches, only two long tapered tubes (C) are required for assembly.



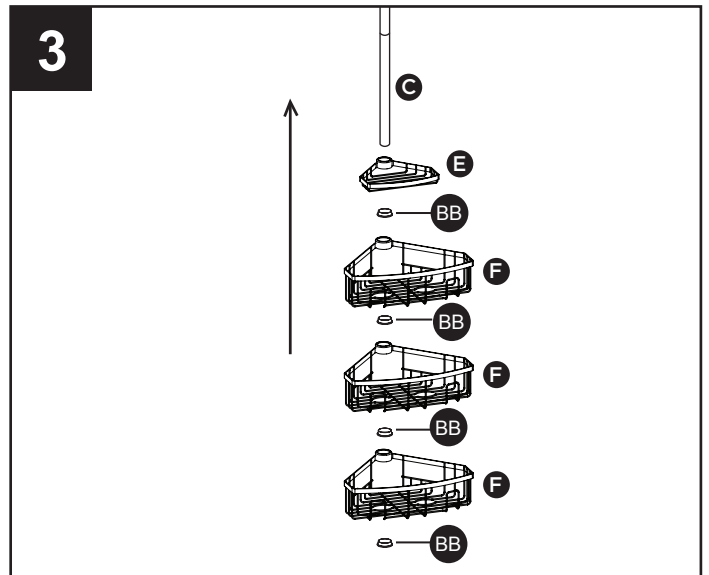
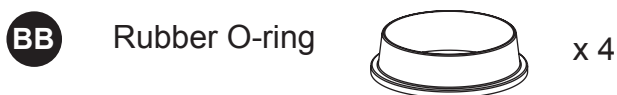
2. Insert plastic O-rings (AA) into small basket (E) and each large basket (F).

Hardware Used



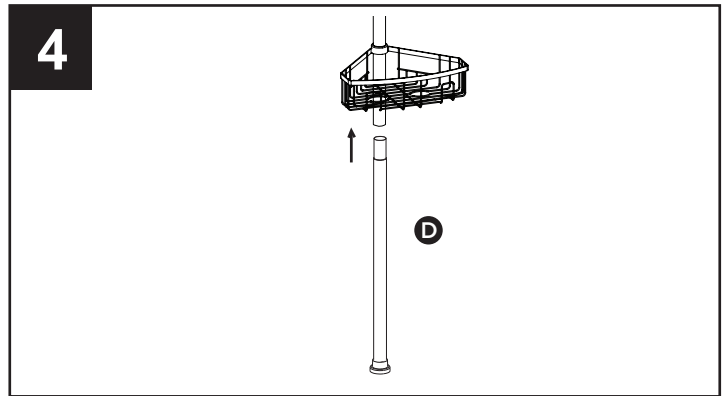
3. From the bottom of the pole assembly, slide small basket (E) up to desired position, then secure with rubber O-ring (BB). Repeat this step for the large baskets (F).

Hardware Used



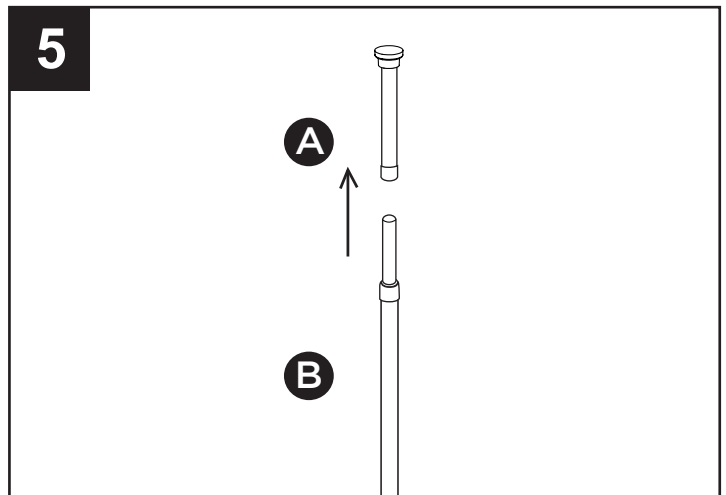
ASSEMBLY INSTRUCTIONS

4. Insert narrow end of bottom tube (D) into assembled pole to complete assembly.



5. Insert narrow end of the 2-piece tube (B) into top tube (A).

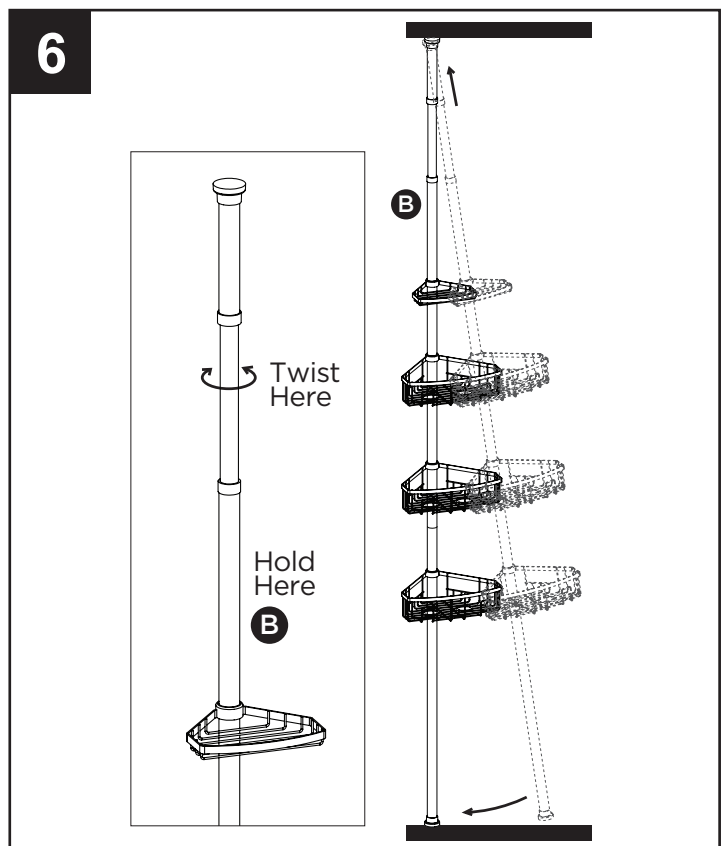
Note: Part A and Part B should not fit snug. Part A contains a spring inside which keeps tension to the ceiling. Therefore, Part B will not fit all of the way into Part A. The pole was designed like this and is not defective.



6. To install the assembly, push the top of the pole against the ceiling until it is vertical with the floor; adjust height as needed.

To adjust the height of assembly, hold the end of tube with twist lock (B) with the larger diameter. Then, twist the other end counterclockwise to loosen the tension. Raise or lower the pole assembly to desired height, then twist the tube with twist lock (B) clockwise to re-secure.

Note: The minimum ceiling height required for installation is 65 inches. The maximum ceiling height required for installation is 113 inches.



CARE AND MAINTENANCE

This product is intended for residential use only and for common bath and shower accessories (shampoo, soap razors, etc.), not for heavy objects or for areas without a firm, flat surface, such as drop ceilings or curved tub surfaces where product might slip if not installed properly.

This product is intended for wet areas where mold and mildew might be present. To clean baskets and poles of occasional soap buildup or mold, use a small soft-bristle brush and mild detergent. Do not use abrasive cleaners as finish may be adversely affected.

TROUBLESHOOTING

PROBLEM	POSSIBLE CAUSE	CORRECTIVE ACTION
Height of pole is too tall to fit space intended.	Pole height wasn't adjusted.	Refer to Step 6 of the Assembly Instructions section.
Height of pole is too short to fit space intended.	Installation area is higher than 113 inches.	Contact customer service at 1-877-888-8225, 8 a.m. - 8 p.m., EST, Monday - Friday and request an additional long tapered tube.
Baskets slide down pole and do not stay in place.	Rubber O-ring is missing or not installed properly.	Use rubber O-ring for each basket. Firmly press collar of baskets over top of each O-ring. To reposition basket, push basket upward, reposition rubber O-ring where desired, then re-install basket.

WARRANTY

The manufacturer warrants to the original purchaser for a period of one (1) year that this product is free from defects in material and workmanship. The warranty is void if product is used for commercial purposes. This warranty is not transferable and does not cover products damaged by misuses, neglect, accident, alterations or use and maintenance other than that specified in the owner's manual.

REPLACEMENT PARTS LIST

For replacement parts, call our customer service department at 1-877-888-8225, 8 a.m. - 8 p.m., EST, Monday – Friday.

PART	DESCRIPTION	0761366 PART #	0761367 PART #	0761368 PART #
A	Top tube	761366-A	761367-A	761368-A
B	2-piece tube	761366-B	761367-B	761368-B
C	Long tapered tube	761366-C	761367-C	761368-C
D	Bottom tube	761366-D	761367-D	761368-D
E	Small basket	761366-E	761367-E	761368-E
F	Large basket	761366-F	761367-F	761368-F
AA	Plastic O-ring	761366-G	761367-G	761368-G
BB	Rubber O-ring			

