

INSTALLATION INSTRUCTIONS CARE AND MAINTENANCE



Princeton® Bath Models: 2390, 2391, 2392, 2393

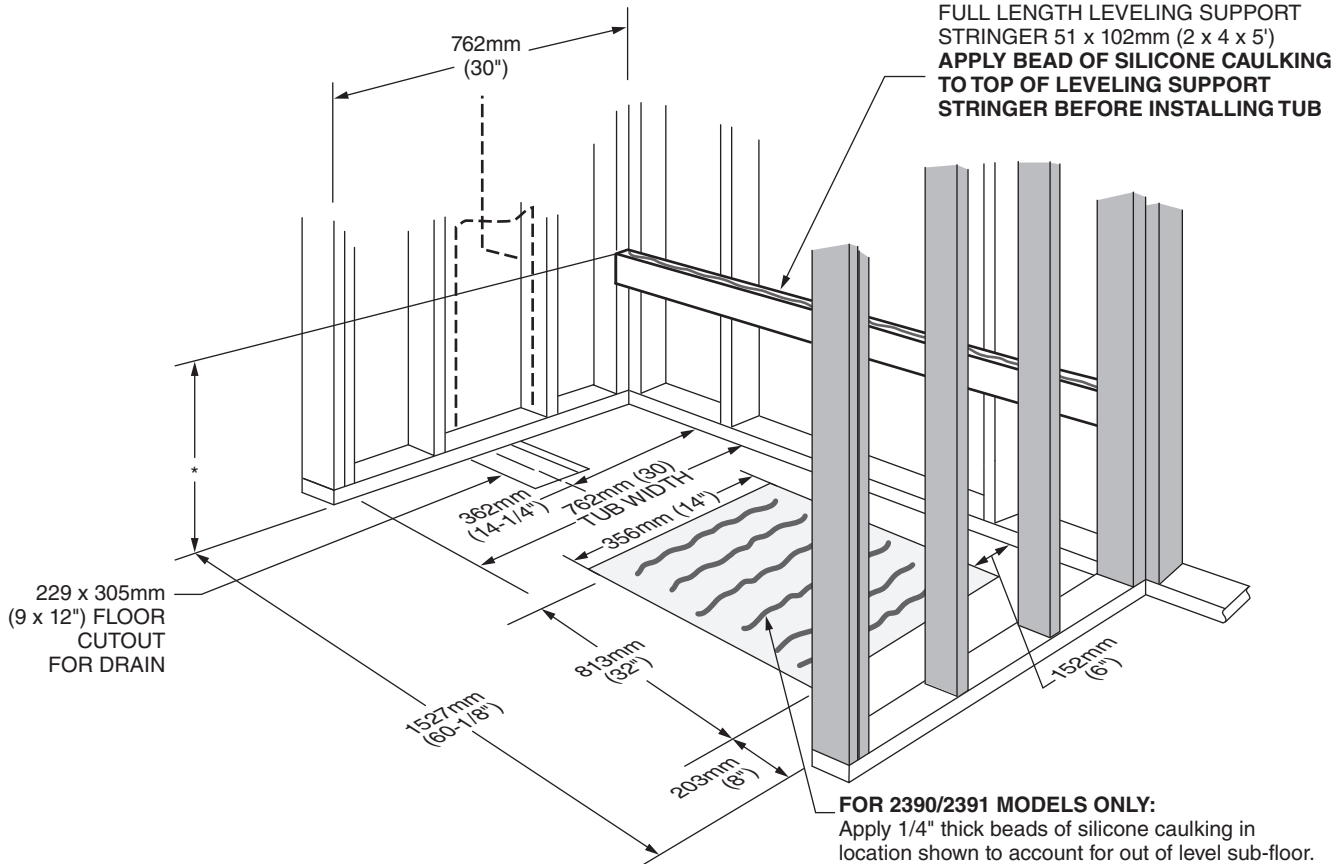
Thank you for selecting American Standard - the benchmark of fine quality for over 100 years. To ensure this product is installed properly, please read these instructions carefully before you begin. (Certain installations may require professional help.) Also be sure your installation conforms to local codes.

Observe Local Plumbing and Building Codes

1 FRAMING INSTRUCTIONS

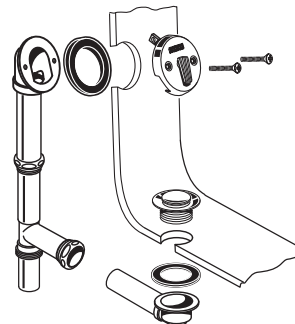
Note recess is 1527 x 762mm (60-1/8 x 30"). Cut a 229 x 305mm (9 x 12") hole in sub floor for drain, centered 362mm (14-1/4") as shown for below floor rough. Locate studs as required, then ensure rough opening dimensions are proper and supports are plumb and square.

* Install stringer as shown (346mm [13-5/8"] for through the floor drain or 435mm [17-1/8"] for above the floor drain.)



2 DRAIN

Install the overflow and drain assembly onto the tub per manufacturer's instructions.



SAVE FOR FUTURE USE

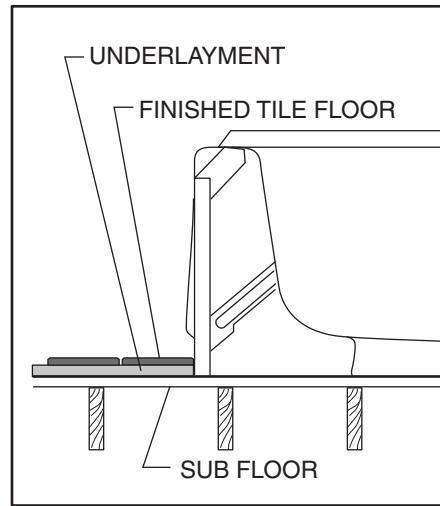
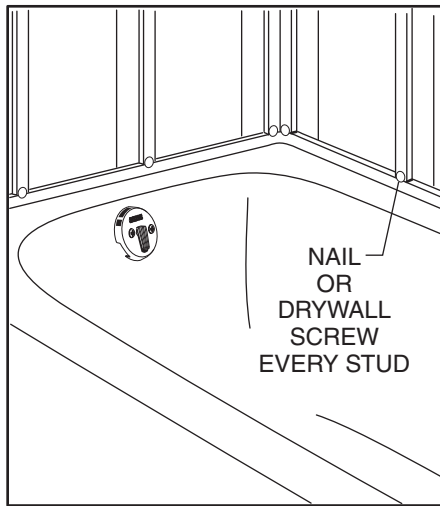
**3 INSTALLATION - BEDDING MATERIAL (MORTAR, SANDMIX, ETC.) IS ACCEPTABLE
SUB FLOOR MUST BE STRUCTURALLY SOUND & FREE OF MOVEMENT / FLEXING**

The tub is provided with an integral base for easier installation. Position the bath on the floor and slide into place until the tub is resting on the rear stringer. The base does not need to contact the floor for proper installation. The base on the 2392 and 2393 models is raised above the floor to facilitate drain installation. Check level, front to back and side to side. Also check drain clearance hole in sub floor. To secure the tub to wood studs, use sheet rock screws with washers immediately above the flange of the tub. To secure the tub to steel studs, use drywall screws and flat washers. (See Step 4)

Caution: Take Extra Care When Driving Nails or Screws To Avoid Damaging The Tub.

The tile or similar finished floor will be butted against the bottom of the tub apron also holding the tub in place.

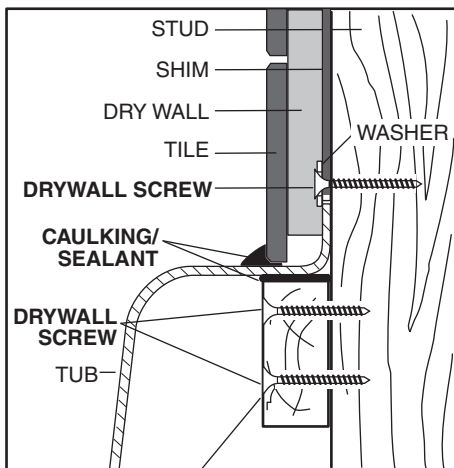
NOTE: Warranty will be voided if the drain is installed after the tub has been set in place.



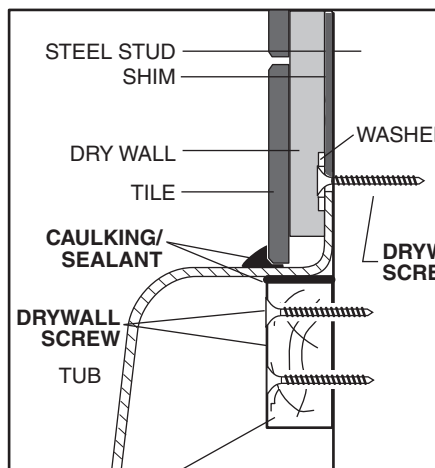
4

Below is shown typical cross sections of the tub rim showing typical wall constructions.

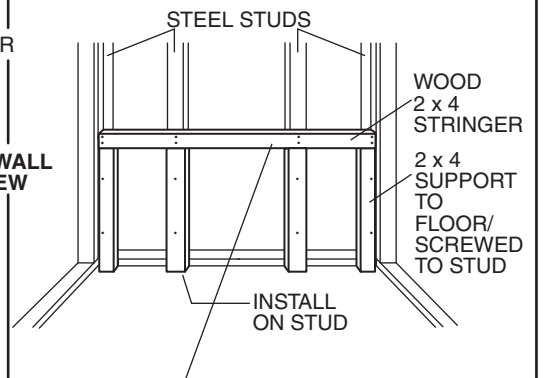
WOOD STUDS



STEEL STUDS

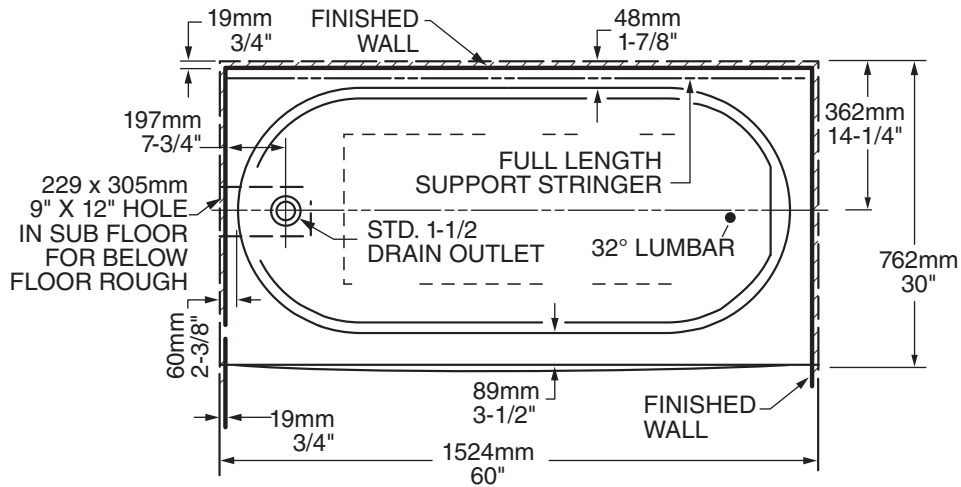


FOR STEEL STUDS SUPPORT THE WOOD 2 X 4 STRINGER TO THE FLOOR IN 3 PLACES

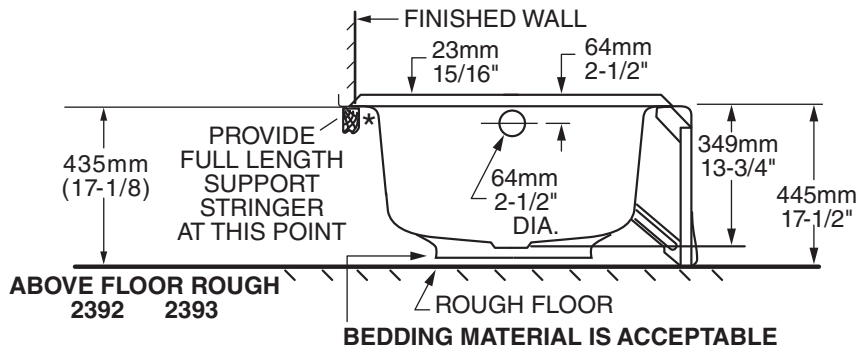
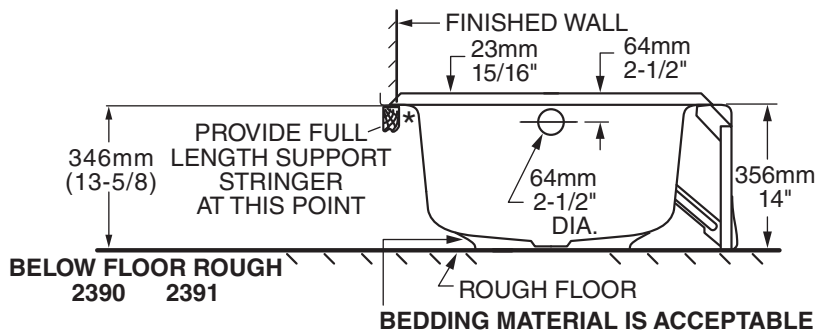


51 x 102mm (2 x 4) WOOD STRINGER FULL LENGTH

5 ROUGHING-IN



**LEFT HAND TUB ILLUSTRATED
RIGHT HAND TUB IS REVERSED**



***PLUMBER NOTE: PROVIDE FULL LENGTH SUPPORT STRINGER AT THIS POINT**

AS AMERICA, INC. LIMITED LIFETIME WARRANTY FOR PERSONAL RESIDENTIAL USE AMERICAST® TUBS

WARRANTY COVERAGE

AS America, Inc. ("American Standard") warrants this product against defects in materials and workmanship under normal residential use for as long as it is owned by the original consumer purchaser. The lifetime warranty does not apply to this product's textured bottom surface. American Standard warrants the textured bottom surface against defects in materials and workmanship under normal residential use for a period of ONE (1) year from the date of first purchase.

This warranty is provided for the exclusive benefit of the initial consumer purchaser or owner. This warranty is non-transferable to subsequent purchasers or owners. The sole exception to the non-transferability of this warranty is that if this product is purchased by a plumber, contractor or other service provider, this warranty extends to the first residential property owner on whose behalf the product was purchased for installation. This warranty applies only to tubs installed in the United States of America, Canada or Mexico.

If a defect arises and a valid claim is received, American Standard will, at its option, either repair or replace the defective product free of charge. The decision whether to repair or replace is determined by American Standard in its sole discretion. Proof of purchase (original sales receipt) must be provided to American Standard with all warranty claims.

This warranty only applies to American Standard Americast® tubs. Unless otherwise specified, all other American Standard options and accessories are covered by the AS AMERICA, INC. ONE YEAR LIMITED WARRANTY, which warrants options and accessories against defects in material and workmanship for one (1) year from the date of first purchase.

EXCLUSIONS AND LIMITATIONS

1. This warranty does not apply to commercial installations (defined as installations in apartments and other rental units, non-residential facilities, hotels, commercial businesses and/or other public accommodations). The AS AMERICA, INC. LIMITED WARRANTY FOR COMMERCIAL USE AMERICAST® TUBS applies to commercial installations.
2. This warranty only applies to products **purchased** after January 1, 2017.
3. This warranty only applies to products purchased through an authorized AS America, Inc. dealer or re-seller.
4. This warranty does not apply to defects or damage caused by non-genuine American Standard parts, installation error, product abuse, product misuse, improper maintenance, improper care or cleaning, improper repair or installation, and/or movement or transfer of the tub from its original installation location (whether performed by you, a plumber, a contractor or a service company). Because improper care and cleaning can cause significant damage to the tub, it is strongly recommended that you follow the Care and Cleaning Instructions (as well as the other instructions) that accompanied the tub.
5. American Standard is not responsible for labor charges and/or damage incurred during installation, repair or replacement.
6. American Standard does not warrant that this product and/or its installation complies with local code requirements. American Standard recommends that you consult with a plumbing contractor about local code requirements.

TO THE EXTENT PERMITTED BY LAW, THIS WARRANTY IS EXCLUSIVE AND IN LIEU OF ALL OTHER WARRANTIES, WHETHER ORAL OR WRITTEN, STATUTORY, EXPRESS OR IMPLIED. AMERICAN STANDARD HEREBY EXCLUDES SPECIAL, INCIDENTAL AND CONSEQUENTIAL DAMAGES FOR ANY BREACH OF ANY EXPRESS OR IMPLIED WARRANTY APPLICABLE TO THIS PRODUCT.

Some states do not allow the exclusion or limitation of incidental or consequential damages, so the above limitations and exclusions may not apply to you. This warranty gives you specific legal rights, and you may also have other rights which vary from state to state (or province, as applicable).

OBTAINING WARRANTY SERVICE

If you believe that you have a warranty claim, contact American Standard, either through an authorized AS America, Inc. dealer or re-seller, or by writing:

In the United States:
 AMERICAN STANDARD BRANDS
 One Centennial Avenue
 Piscataway, NJ 08854
 Attn: Director of Consumer Affairs
 For other information, or to obtain
 the name and address of the service
 and repair facility nearest you,
 call (800) 442-1902
 www.americanstandard.com

In Canada:
 AS CANADA ULC
 5900 Avebury Road
 Mississauga, Ontario
 Canada L5R 3M3
 For other information, or to obtain
 the name and address of the service
 and repair facility nearest you,
 call (800) 387-0369
 www.americanstandard.ca

In Mexico:
 AMERICAN STANDARD B&K MEXICO
 S. de R.L. de C.V.
 Via Morelos #330
 Col. Santa Clara
 Ecatepec 55540, Edo. Mexico
 For other information, or to obtain
 the name and address of the service
 and repair facility nearest you,
 call 01-800-839-1200
 www.americanstandard.com.mx

Please be sure to provide all pertinent information regarding your claim, including a complete description of the problem, the product, model number, color, finish, purchase date, and from whom the product was purchased.

AS AMERICA, INC. LIMITED WARRANTY FOR COMMERCIAL USE AMERICAST® TUBS

WARRANTY COVERAGE

AS America, Inc. ("American Standard") warrants this product against defects in materials and workmanship under normal commercial use for a period of TEN (10) years from the date of first purchase. The TEN (10) year warranty period does not apply to this product's textured bottom surface. American Standard warrants the textured bottom surface against defects in materials and workmanship under normal commercial use for a period of ONE (1) year from the date of first purchase.

Commercial use is defined as installations in apartments and other rental units, non-residential facilities, hotels, commercial businesses and/or other public accommodations.

This warranty is provided for the exclusive benefit of the initial commercial purchaser or owner. This warranty is non-transferable to subsequent purchasers or owners. The sole exception to the non-transferability of this warranty is that if this product is purchased by a plumber, contractor or other service provider, this warranty extends to the first commercial owner on whose behalf the product was purchased for installation. This warranty applies only to tubs installed in the United States of America, Canada or Mexico.

If a defect arises and a valid claim is received, American Standard will, at its option, either repair or replace the defective product free of charge. The decision whether to repair or replace is determined by American Standard in its sole discretion. Proof of purchase (original sales receipt) must be provided to American Standard with all warranty claims.

This warranty only applies to American Standard Americast® tubs. Unless otherwise specified, all other American Standard options and accessories are covered by the AS AMERICA, INC. ONE YEAR LIMITED WARRANTY, which warrants options and accessories against defects in material and workmanship for one (1) year from the date of first purchase.

EXCLUSIONS AND LIMITATIONS

1. This warranty does not apply to personal residential installations. The AS AMERICA, INC. LIFETIME LIMITED WARRANTY FOR PERSONAL RESIDENTIAL USE AMERICAST® TUBS applies to personal residential installations.
2. This warranty only applies to products **purchased** after January 1, 2017.
3. This warranty only applies to products purchased through an authorized AS America, Inc. dealer or re-seller.
4. This warranty does not apply to defects or damage caused by non-genuine American Standard parts, installation error, product abuse, product misuse, improper maintenance, improper care or cleaning, improper repair or installation, and/or movement or transfer of the tub from its original installation location (whether performed by you, a plumber, a contractor or a service company). Because improper care and cleaning can cause significant damage to the tub, it is strongly recommended that you follow the Care and Cleaning Instructions (as well as the other instructions) that accompanied the tub.
5. American Standard is not responsible for labor charges and/or damage incurred during installation, repair or replacement.
6. American Standard does not warrant that this product and/or its installation complies with local code requirements. American Standard recommends that you consult with a plumbing contractor about local code requirements.

TO THE EXTENT PERMITTED BY LAW, THIS WARRANTY IS EXCLUSIVE AND IN LIEU OF ALL OTHER WARRANTIES, WHETHER ORAL OR WRITTEN, STATUTORY, EXPRESS OR IMPLIED. AMERICAN STANDARD HEREBY EXCLUDES SPECIAL, INCIDENTAL AND CONSEQUENTIAL DAMAGES FOR ANY BREACH OF ANY EXPRESS OR IMPLIED WARRANTY APPLICABLE TO THIS PRODUCT.

Some states do not allow the exclusion or limitation of incidental or consequential damages, so the above limitations and exclusions may not apply to you. This warranty gives you specific legal rights, and you may also have other rights which vary from state to state (or province, as applicable).

OBTAINING WARRANTY SERVICE

If you believe that you have a warranty claim, contact American Standard, either through an authorized AS America, Inc. dealer or re-seller, or by writing:

In the United States:
 AMERICAN STANDARD BRANDS
 One Centennial Avenue
 Piscataway, NJ 08855
 Attn: Director of Consumer Affairs
 For other information, or to obtain
 the name and address of the service
 and repair facility nearest you,
 call (800) 442-1902
 www.americanstandard.com

In Canada:
 AS CANADA ULC
 5900 Avebury Road
 Mississauga, Ontario
 Canada L5R 3M3
 For other information, or to obtain
 the name and address of the service
 and repair facility nearest you,
 call (800) 387-0369
 www.americanstandard.ca

In Mexico:
 AMERICAN STANDARD B&K MEXICO
 S. de R.L. de C.V.
 Via Morelos #330
 Col. Santa Clara
 Ecatepec 55540, Edo. Mexico
 For other information, or to obtain
 the name and address of the service
 and repair facility nearest you,
 call 01-800-839-1200
 www.americanstandard.com.mx

Please be sure to provide all pertinent information regarding your claim, including a complete description of the problem, the product, model number, color, finish, purchase date, and from whom the product was purchased.

IIINSTRUCCIONES DE INSTALACIÓN CUIDADO Y MANTENIMIENTO

*American
Standard*

Modelos de bañera Princeton®: 2390, 2391, 2392, 2393

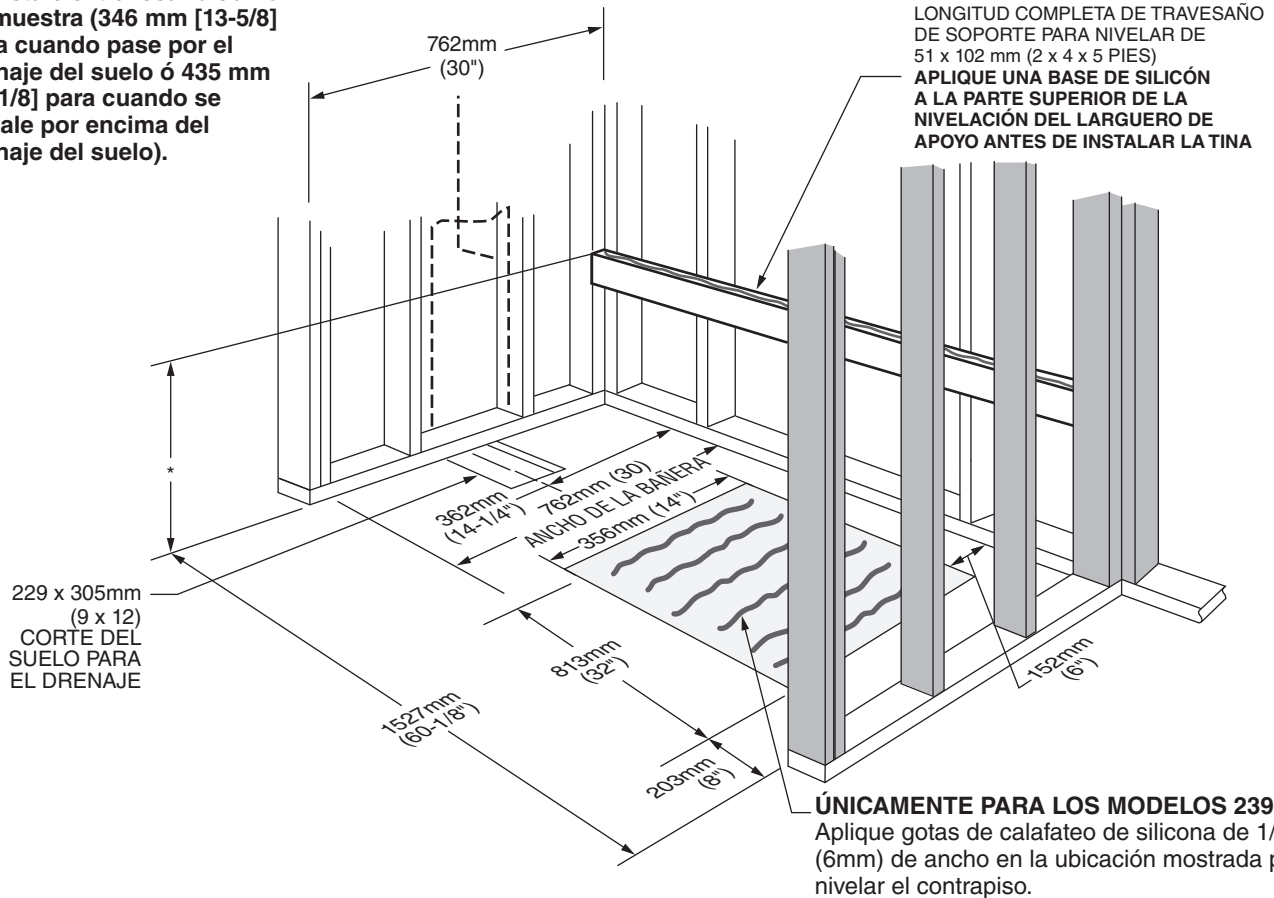
Gracias por elegir American Standard; referente de calidad durante más de 100 años. Para asegurarse de que el producto esté instalado correctamente, por favor lea estas instrucciones cuidadosamente antes de comenzar. (Ciertas instalaciones pueden requerir ayuda profesional.) Asegúrese de que su instalación cumpla con los códigos locales.

Siga los códigos locales de nivelación y construcción

1 INSTRUCCIONES DEL ARMAZÓN

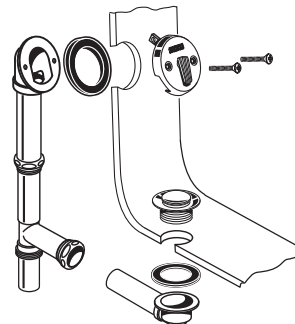
Tome en cuenta que el hueco es de 1,527 x 762 mm (60-1/8 x 30"). Corte un orificio de 229 x 305 mm (9 x 12) por debajo del suelo para el drenaje, centrado a 362 mm (14-1/4) conforme se muestra para el área debajo del suelo acabado. Coloque los pernos conforme se requiera, luego asegúrese de que las dimensiones de la abertura acabada sean adecuadas y que los soportes estén nivelados y cuadrados.

* Instale el travesaño como se muestra (346 mm [13-5/8] para cuando pase por el drenaje del suelo ó 435 mm [17-1/8] para cuando se instale por encima del drenaje del suelo).



2 DRENAJE

Instale el conjunto de rebosadero y drenaje sobre la bañera según las instrucciones del fabricante.



GUARDE ESTAS INSTRUCCIONES PARA UN USO FUTURO

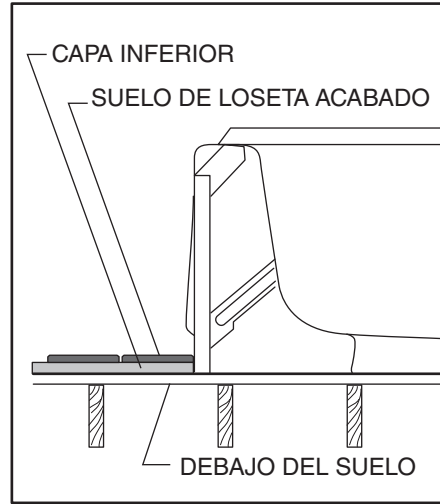
3 INSTALACIÓN - EL MATERIAL DE CAMA (MORTERO, SANDMIX, ETC.) ES ACEPTABLE EL SUBSUELO DEBE DE ESTAR ESTRUCTURALMENTE SIN FALLAS Y LIBRE DE MOVIMIENTO/FLEXIÓN.

La bañera se provee con una base integral para facilitar su instalación. Coloque la bañera sobre el suelo y deslícela a su posición hasta que descance sobre el travesaño posterior. La base no necesita estar en contacto con el piso para tener una instalación adecuada. La base, en los modelos 2392 y 2393, esta arriba del nivel del piso para facilitar la instalacion del desagüe. Verifique el nivel, del frente a la parte posterior y de lado a lado. Asimismo, verifique el orificio del espacio del drenaje por debajo del suelo. Para asegurar la bañera con pernos de madera, Use tornillos para placas de yeso con empaques en la parte superior de la brida de la bañera. Para fijar la tina a los montantes de acero, use tornillos para placa de yeso y arandelas planas. (Ver el paso 4)

Precaución: Tenga mucho cuidado al introducir los remaches o tornillos para evitar que se dañe la bañera.

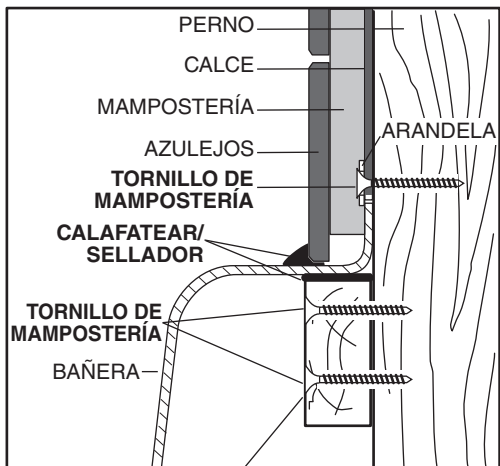
La loseta o material similar del suelo acabado estará contra la parte inferior del revestimiento de la bañera, lo cual también la sostendrá en su lugar.

NOTA: La garantía quedará sin efecto si el desagüe se instala después de que la tina se haya fijado en su lugar.

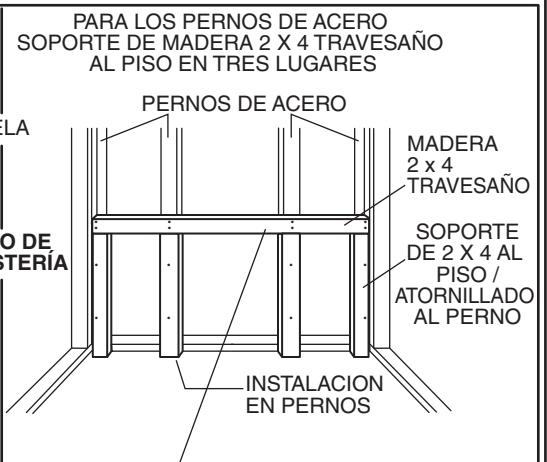
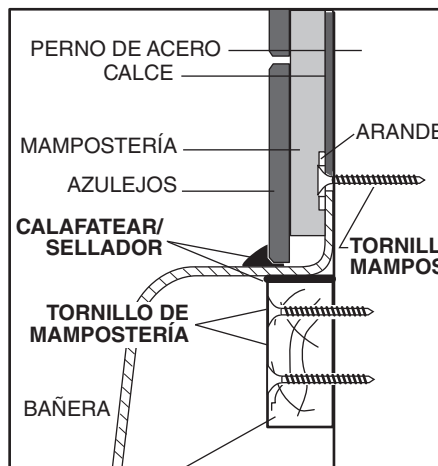


4 A continuación se muestran las secciones transversales del borde de la bañera y las construcciones de pared características.

PERNOS DE MADERA



PERNOS DE ACERO



51 x 102 mm (2 x 4) MADERA TRAVESAÑO DE LONGITUD COMPLETA

5 DIMENSIONES DE PREPARACIÓN

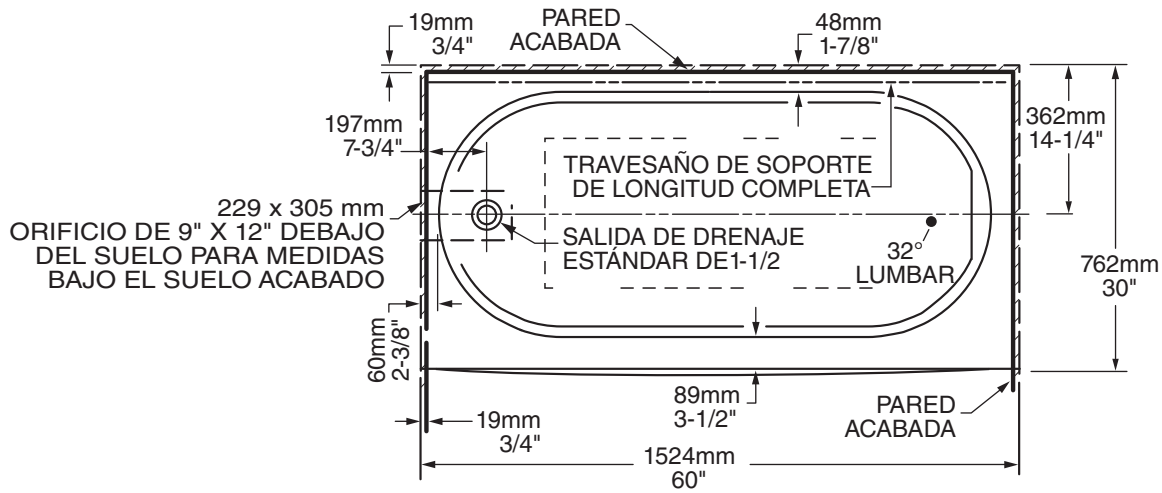
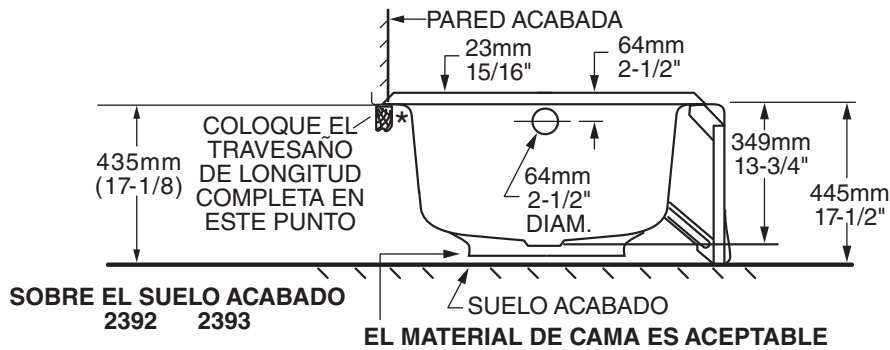
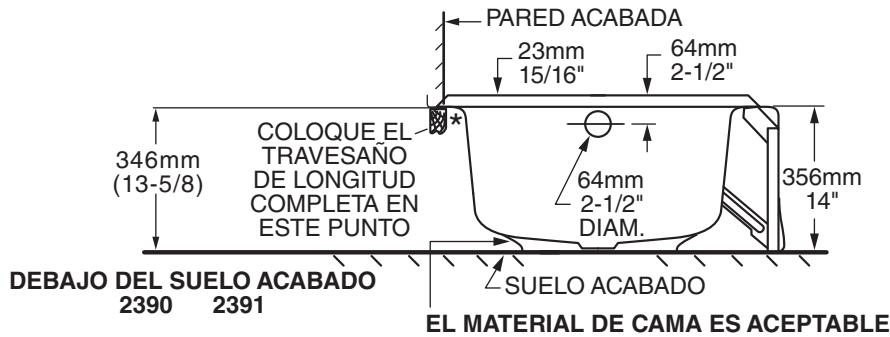


ILUSTRACIÓN DE PARTE IZQUIERDA DE LA BAÑERA LA PARTE DERECHA DE LA BAÑERA ESTÁ INVERTIDA



*** NOTA SOBRE LA NIVELACIÓN: COLOQUE EL TRAVESAÑO DE LONGITUD COMPLETA EN ESTE PUNTO**

GARANTÍA LIMITADA DE POR VIDA DE AS AMERICA, INC. PARA TINAS AMERICAST® DE USO PERSONAL Y RESIDENCIAL

COBERTURA DE LA GARANTÍA

AS America, Inc. ("American Standard") garantiza este producto por defectos en el material y la mano de obra bajo un uso residencial normal, siempre y cuando sea la propiedad del comprador consumidor original. La garantía de por vida no se aplica a la superficie inferior texturizada del producto. American Standard garantiza la superficie inferior texturizada por defectos en el material y la mano de obra bajo un uso residencial normal por un plazo de UN (1) año a partir de la fecha de la compra inicial. Esta garantía se ofrece para el beneficio exclusivo del comprador o propietario consumidor inicial. Esta garantía no es transferible a los subsiguientes compradores ni propietarios. La única excepción al carácter intransferible de esta garantía se da en el caso en que un plomero, contratista u otro proveedor de servicios compre el producto; esta garantía se extiende al primer propietario residencial en cuya representación se adquirió el producto. Esta garantía se aplica únicamente a las tinas instaladas en Estados Unidos, Canadá o México. Si surge un defecto y se recibe un reclamo válido, American Standard, a su opción, reparará o reemplazará el producto defectuoso sin cargo. La decisión de reparar o reemplazar el producto la determinará American Standard según su propio criterio. Con todos los reclamos conformes a la garantía, se deberá suministrar a American un comprobante de compra (recibo de compra original). Esta garantía se aplica únicamente a las tinas American Standard Americast®. Salvo que se indique lo contrario, todas las otras opciones y accesorios American Standard se encuentran cubiertos por la GARANTÍA LIMITADA DE UN AÑO DE AS AMERICA, INC., que garantiza las opciones y los accesorios por defectos en material y mano de obra por un (1) año a partir de la primera compra.

EXCLUSIONES Y LIMITACIONES

1. Esta garantía no se aplica a las instalaciones comerciales (definidas como instalaciones en apartamentos y unidades de renta, instalaciones no residenciales, hoteles, negocios comerciales u otras instalaciones públicas). La GARANTÍA LIMITADA PARA USO COMERCIAL DE AS AMERICA, INC. PARA LAS TINAS AMERICAST® se aplica a las instalaciones comerciales.
2. Esta garantía se aplica únicamente a los productos **comprados** después del 1 de enero de 2017.
3. Esta garantía se aplica únicamente a los productos comprados a través de un distribuidor o revendedor autorizado de AS America, Inc.
4. Esta garantía no se aplica a los defectos ni daños causados por piezas no auténticas de American Standard, errores en la instalación, el abuso o uso incorrecto del producto, el mantenimiento inadecuado, el cuidado o la limpieza inadecuada, la reparación o instalación inadecuada, ni el desplazamiento o la transferencia de la tina de la ubicación de su instalación original (ya sea que lo realice usted, un plomero, un contratista o una empresa de servicios). Como el cuidado y la limpieza inadecuada pueden causar daños significativos a la tina, se recomienda firmemente respetar las Instrucciones de cuidado y limpieza (al igual que las otras instrucciones) que recibió con la tina.
5. American Standard no es responsable de los gastos por mano de obra ni del daño incurrido durante la instalación, la reparación ni el reemplazo.
6. American Standard no garantiza que este producto ni su instalación cumplan con los requisitos de los códigos locales. American Standard le recomienda consultar a un plomero contratista sobre los requisitos de los códigos locales.

HASTA EL GRADO PERMITIDO POR LA LEY, ESTA GARANTÍA ES EXCLUSIVA Y REEMPLAZA TODAS LAS OTRAS GARANTÍAS, YA SEAN ORALES O ESCRITAS, POR LEY, EXPRESAS O IMPLÍCITAS. AMERICAN STANDARD EXCLUYE POR LA PRESENTE LOS DAÑOS Y PERJUICIOS ESPECIALES, INCIDENTALES Y EMERGENTES POR CUALQUIER INCUMPLIMIENTO DE CUALQUIER GARANTÍA EXPRESA O IMPLÍCITA APLICABLE A ESTE PRODUCTO.

Algunos estados no permiten la exclusión o limitación de los daños y perjuicios incidentales o emergentes, por lo cual las limitaciones y exclusiones anteriores podrán no aplicársele. Esta garantía le otorga derechos legales específicos, y también podrá tener otros derechos que varían según el estado (o la provincia, tal como sea aplicable).

PARA OBTENER SERVICIO DE GARANTÍA

Si cree que tiene un reclamo conforme a la garantía, comuníquese con American Standard, ya sea contactando a un distribuidor o revendedor autorizado de AS America, Inc. o escribiendo a:

En Estados Unidos:
AMERICAN STANDARD BRANDS
One Centennial Avenue
Piscataway, NJ 08855
Attention: Director of Consumer Affairs
Para mayor información, o para obtener el nombre y la dirección de la instalación de servicio y refacciones más cercana, llame al (800) 442-1902.
www.americanstandard.com

En Canadá:
AS CANADA ULC
5900 Avebury Road
Mississauga, Ontario
Canada L5R 3M3
Para mayor información, o para obtener el nombre y la dirección de la instalación de servicio y refacciones más cercana, llame al (800) 387-0369.
www.americanstandard.ca

En México:
AMERICAN STANDARD B&K MEXICO
S. de R.L. de C.V.
Vía Morelos #330
Col. Santa Clara
Ecatepec 55540 Edo. de México
Para mayor información, o para obtener el nombre y la dirección de la instalación de servicio y refacciones más cercana, llame al 01-800-839-1200.
www.americanstandard.com.mx

Debe brindar toda la información pertinente sobre su reclamo, incluyendo una descripción completa del problema, el producto, el número de modelo, el color, el acabado, la fecha de compra y la persona a quien le compró el producto.

GARANTÍA LIMITADA PARA USO COMERCIAL DE AS AMERICA, INC. PARA LAS TINAS AMERICAST®

COBERTURA DE LA GARANTÍA

AS America, Inc. ("American Standard") garantiza este producto por defectos en el material y la mano de obra bajo un uso comercial normal por un plazo de DIEZ (10) años a partir de la fecha de la compra inicial. El plazo de la garantía de DIEZ (10) años no se aplica a la superficie inferior texturizada del producto. American Standard garantiza la superficie inferior texturizada por defectos en el material y la mano de obra bajo un uso comercial normal por un plazo de UN (1) año a partir de la fecha de la compra inicial.

Uso comercial se define como las instalaciones en apartamentos y unidades de renta, instalaciones no residenciales, hoteles, negocios comerciales u otras instalaciones públicas.

Esta garantía se ofrece para el beneficio exclusivo del comprador o propietario comercial inicial. Esta garantía no es transferible a los subsiguientes compradores ni propietarios. La única excepción al carácter intransferible de esta garantía se da en el caso en que un plomero, contratista u otro proveedor de servicios compre el producto; esta garantía se extiende al primer propietario comercial en cuya representación se adquirió el producto. Esta garantía se aplica únicamente a las tinas instaladas en Estados Unidos, Canadá o México.

Si surge un defecto y se recibe un reclamo válido, American Standard, a su opción, reparará o reemplazará el producto defectuoso sin cargo. La decisión de reparar o reemplazar el producto la determinará American Standard según su propio criterio. Con todos los reclamos conformes a la garantía, se deberá suministrar a American un comprobante de compra (recibo de compra original).

Esta garantía se aplica únicamente a las tinas American Standard Americast®. Salvo que se indique lo contrario, todas las otras opciones y accesorios American Standard se encuentran cubiertos por la GARANTÍA LIMITADA DE UN AÑO DE AS AMERICA, INC., que garantiza las opciones y los accesorios por defectos en material y mano de obra por un (1) año a partir de la primera compra.

EXCLUSIONES Y LIMITACIONES

1. Esta garantía no se aplica a las instalaciones residenciales personales. La GARANTÍA LIMITADA DE POR VIDA DE AS AMERICA, INC. PARA TINAS AMERICAST® DE USO PERSONAL Y RESIDENCIAL se aplica a las instalaciones residenciales personales.
2. Esta garantía se aplica únicamente a los productos **comprados** después del 1 de enero de 2017.
3. Esta garantía se aplica únicamente a los productos comprados a través de un distribuidor o revendedor autorizado de AS America, Inc.
4. Esta garantía no se aplica a los defectos ni daños causados por piezas no auténticas de American Standard, errores en la instalación, el abuso o uso incorrecto del producto, el mantenimiento inadecuado, el cuidado o la limpieza inadecuada, la reparación o instalación inadecuada, ni el desplazamiento o la transferencia de la tina de la ubicación de su instalación original (ya sea que lo realice usted, un plomero, un contratista o una empresa de servicios). Como el cuidado y la limpieza inadecuada pueden causar daños significativos a la tina, se recomienda firmemente respetar las Instrucciones de cuidado y limpieza (al igual que las otras instrucciones) que recibió con la tina.
5. American Standard no es responsable de los gastos por mano de obra ni del daño incurrido durante la instalación, la reparación ni el reemplazo.
6. American Standard no garantiza que este producto ni su instalación cumplan con los requisitos de los códigos locales. American Standard le recomienda consultar a un plomero contratista sobre los requisitos de los códigos locales.

HASTA EL GRADO PERMITIDO POR LA LEY, ESTA GARANTÍA ES EXCLUSIVA Y REEMPLAZA TODAS LAS OTRAS GARANTÍAS, YA SEAN ORALES O ESCRITAS, POR LEY, EXPRESAS O IMPLÍCITAS. AMERICAN STANDARD EXCLUYE POR LA PRESENTE LOS DAÑOS Y PERJUICIOS ESPECIALES, INCIDENTALES Y EMERGENTES POR CUALQUIER INCUMPLIMIENTO DE CUALQUIER GARANTÍA EXPRESA O IMPLÍCITA APLICABLE A ESTE PRODUCTO.

Algunos estados no permiten la exclusión o limitación de los daños y perjuicios incidentales o emergentes, por lo cual las limitaciones y exclusiones anteriores podrán no aplicársele. Esta garantía le otorga derechos legales específicos, y también podrá tener otros derechos que varían según el estado (o la provincia, tal como sea aplicable).

PARA OBTENER SERVICIO DE GARANTÍA

Si cree que tiene un reclamo conforme a la garantía, comuníquese con American Standard, ya sea contactando a un distribuidor o revendedor autorizado de AS America, Inc. o escribiendo a:

En Estados Unidos:
AMERICAN STANDARD BRANDS
One Centennial Avenue
Piscataway, NJ 08855
Attention: Director of Consumer Affairs
Para mayor información, o para obtener el nombre y la dirección de la instalación de servicio y refacciones más cercana, llame al (800) 442-1902.
www.americanstandard.com

En Canadá:
AS CANADA ULC
5900 Avebury Road
Mississauga, Ontario
Canada L5R 3M3
Para mayor información, o para obtener el nombre y la dirección de la instalación de servicio y refacciones más cercana, llame al (800) 387-0369.
www.americanstandard.ca

En México:
AMERICAN STANDARD B&K MEXICO
S. de R.L. de C.V.
Vía Morelos #330
Col. Santa Clara
Ecatepec 55540 Edo. de México
Para mayor información, o para obtener el nombre y la dirección de la instalación de servicio y refacciones más cercana, llame al 01-800-839-1200.
www.americanstandard.com.mx

Debe brindar toda la información pertinente sobre su reclamo, incluyendo una descripción completa del problema, el producto, el número de modelo, el color, el acabado, la fecha de compra y la persona a quien le compró el producto.

INSTRUCTIONS D'INSTALLATION SOINS ET ENTRETIEN

American
Standard

Baignoires Princeton® modèles : 2390, 2391, 2392, 2393

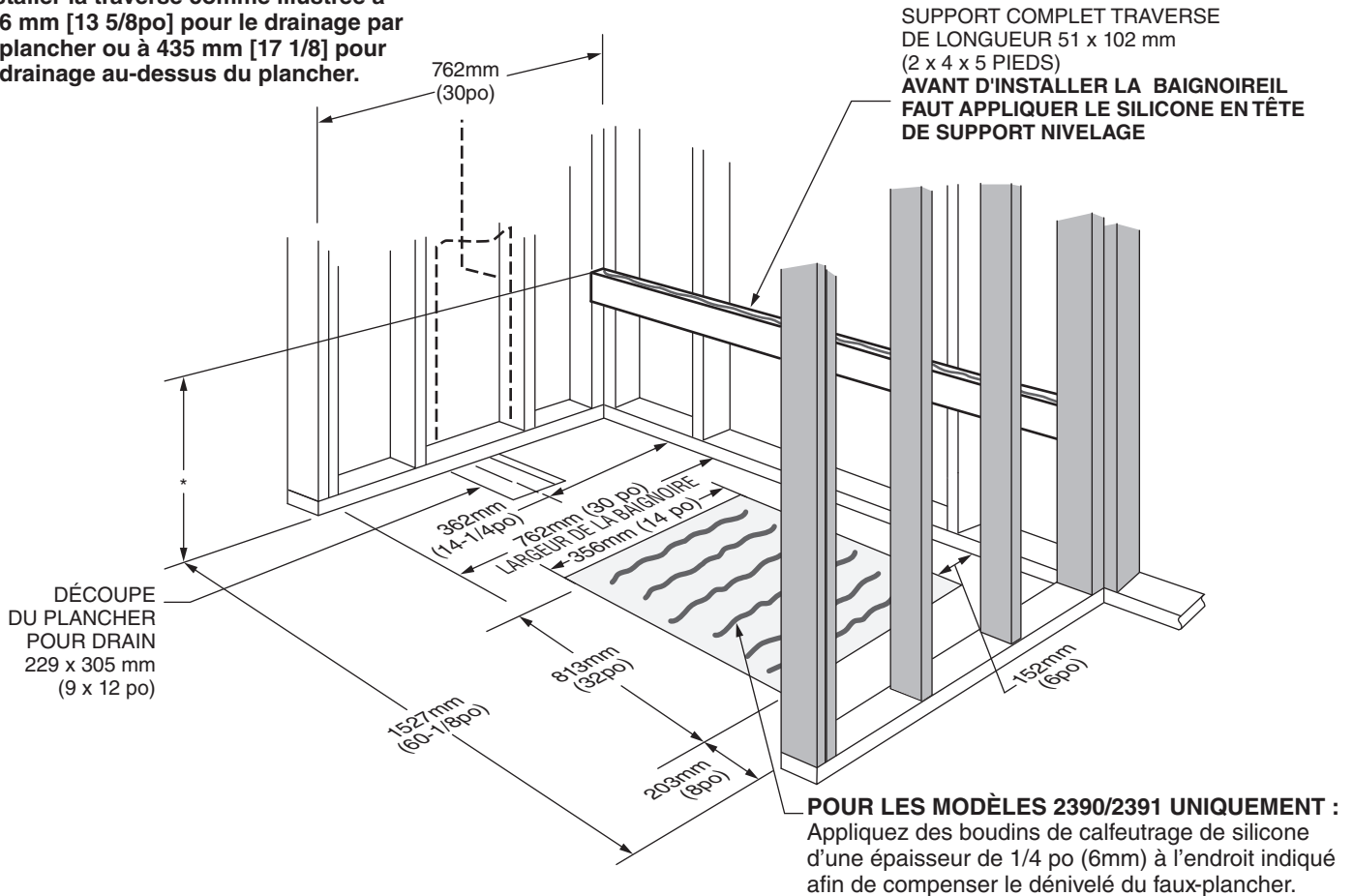
Nous vous remercions d'avoir choisi American Standard - synonyme de qualité supérieure depuis plus de 100 ans. Afin d'effectuer une bonne installation de cet accessoire, veuillez lire attentivement ces instructions avant de commencer. (Certaines installations peuvent requérir une aide professionnelle.) Assurez-vous également que votre installation est conforme aux codes locaux.

Respecter les codes locaux de plomberie et du bâtiment

1 INSTRUCTIONS D'ENCADREMENT

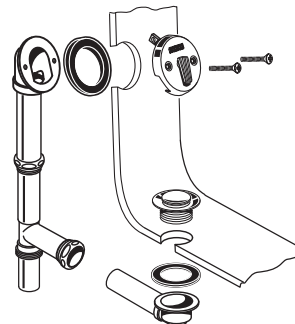
Prendre note que la cavité est de 1527 x 762 mm (60 1/8 x 30 po). Découper un trou de 229 x 305 mm (9 x 12 po) dans le sous-plancher pour le drain, centrer à 362 mm (14 1/4 po) tel qu'illustré pour l'installation sur plancher non fini. Localiser les structures, puis s'assurer que les dimensions des ouvertures sont correctes et que les supports sont d'aplomb et d'équerre.

* Installer la traverse comme illustrée à 346 mm [13 5/8po] pour le drainage par le plancher ou à 435 mm [17 1/8] pour le drainage au-dessus du plancher.



2 DRAIN

Installer dans le bain l'ensemble drain et trop plein selon les instructions du fabricant.



CONSERVER POUR USAGE ULTÉRIEUR

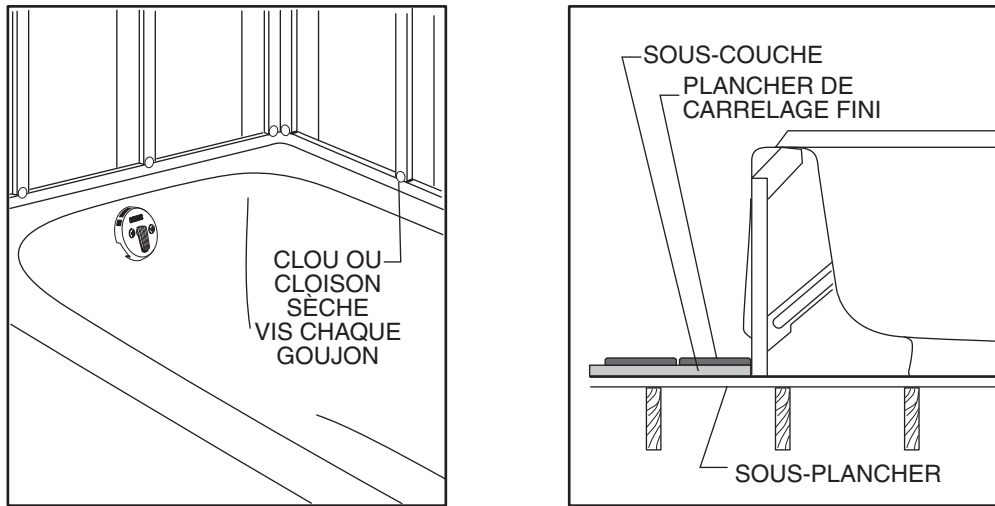
3 INSTALLATION - LE MATERIEL DE LITERIE (LE MORTIER, SANDMIX, ETC.) EST ACCEPTABLE SOUS-PLANCHER DOIT ÊTRE STRUCTURELLEMENT SAIN ET EXEMPT DE MOUVEMENT / FLEXION

La baignoire est fournie avec une base intégrale afin de faciliter son installation. Positionner la baignoire sur le plancher et la glisser en place jusqu'à ce que la cuve repose sur la traverse arrière. La base n'a pas besoin d'être installée en contact avec le sol. La base sur les modèles 2392 et 2393 est plus haute que le sol afin de faciliter l'installation de l'évacuation. Vérifier le niveau, de l'avant à l'arrière et d'un côté à l'autre. Vérifier également le dégagement du trou de drainage dans le sous-plancher. Pour fixer la baignoire à la structure de bois, utiliser des vis gyproc avec rondelle juste au-dessus du rebord de la baignoire. Pour fixer la baignoire à la structure en acier, utilisez des vis à cloison sèche et des rondelles plates. (Voir l'étape 4)

Avertissement : Prendre des précautions supplémentaires lorsque vous utilisez des clous ou des vis afin d'éviter d'endommager la baignoire.

Le carrelage ou une finition similaire sera appuyée contre le bas du tablier de la baignoire retenant également la baignoire en place.

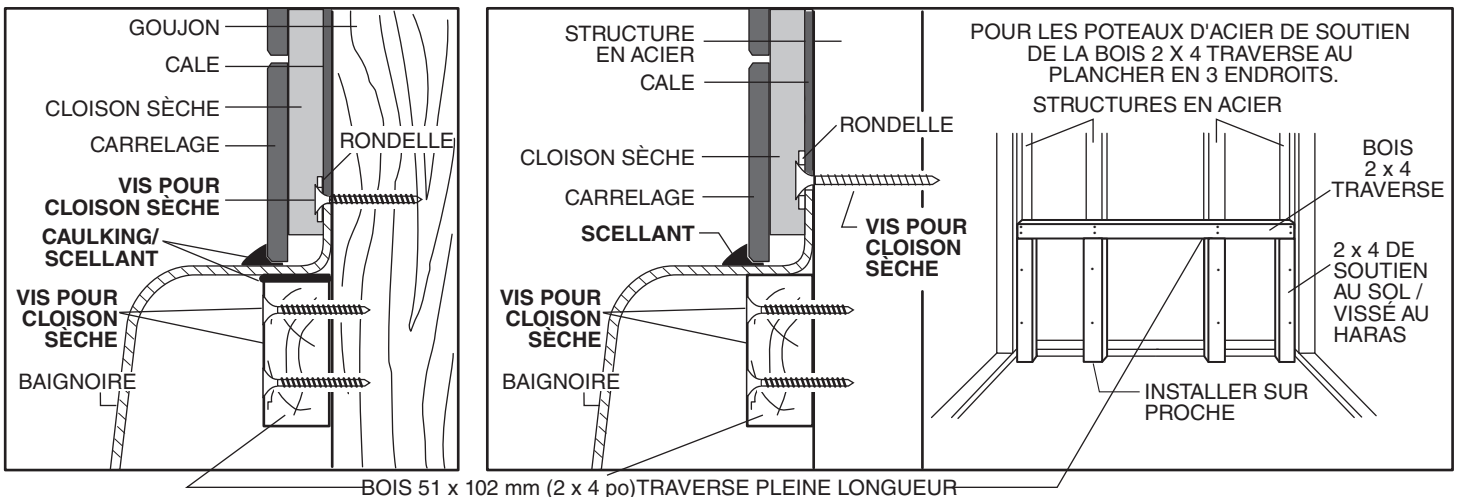
REMARQUE : La garantie sera annulée si le renvoi est installé après la mise en place de la baignoire.



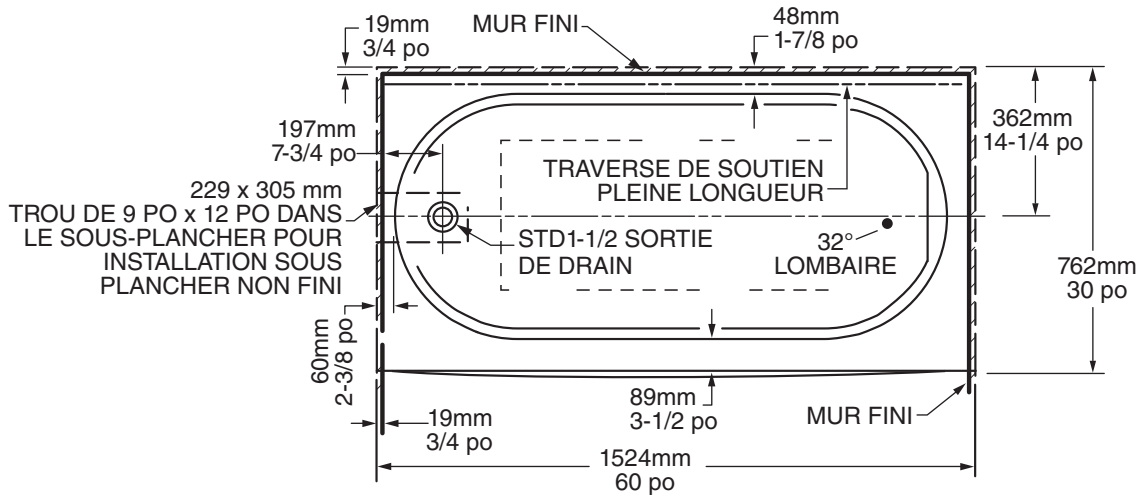
4 Ci-dessous sont illustrées des sections transversales caractéristiques du rebord de cuve démontrant les constructions typiques de murs.

STRUCTURES DE BOIS

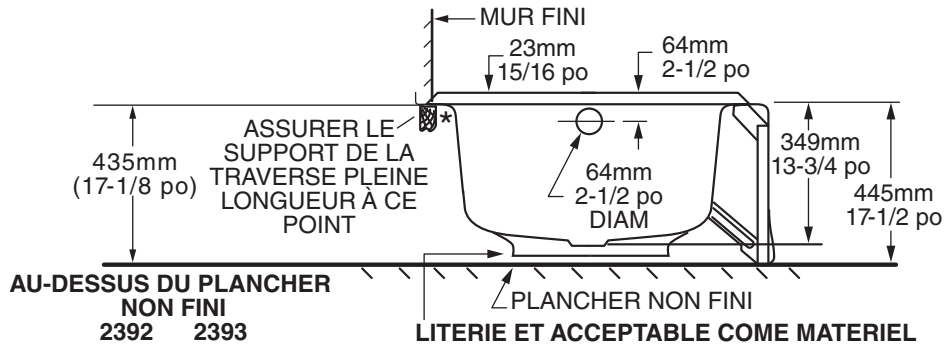
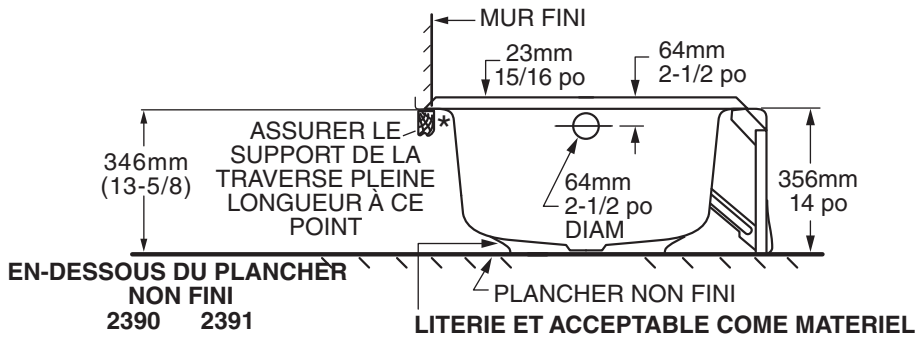
STRUCTURES EN ACIER



5 DIMENSIONS BRUTE



BAIGNOIRE CÔTÉ GAUCHE ILLUSTRÉE BAIGNOIRE DE CÔTÉ DROIT INVERSÉE



***REMARQUE À L'INTENTION DU PLOMBIER : ASSURER LE SUPPORT DE LA TRAVERSE PLEINE LONGUEUR À CE POINT**

AS AMERICA, INC. LIMITED LIFETIME WARRANTY FOR PERSONAL RESIDENTIAL USE AMERICAST® TUBS

WARRANTY COVERAGE

AS America, Inc. ("American Standard") warrants this product against defects in materials and workmanship under normal residential use for as long as it is owned by the original consumer purchaser. The lifetime warranty does not apply to this product's textured bottom surface. American Standard warrants the textured bottom surface against defects in materials and workmanship under normal residential use for a period of ONE (1) year from the date of first purchase.

This warranty is provided for the exclusive benefit of the initial consumer purchaser or owner. This warranty is non-transferable to subsequent purchasers or owners. The sole exception to the non-transferability of this warranty is that if this product is purchased by a plumber, contractor or other service provider, this warranty extends to the first residential property owner on whose behalf the product was purchased for installation. This warranty applies only to tubs installed in the United States of America, Canada or Mexico.

If a defect arises and a valid claim is received, American Standard will, at its option, either repair or replace the defective product free of charge. The decision whether to repair or replace is determined by American Standard in its sole discretion. Proof of purchase (original sales receipt) must be provided to American Standard with all warranty claims.

This warranty only applies to American Standard Americast® tubs. Unless otherwise specified, all other American Standard options and accessories are covered by the AS AMERICA, INC. ONE YEAR LIMITED WARRANTY, which warrants options and accessories against defects in material and workmanship for one (1) year from the date of first purchase.

EXCLUSIONS AND LIMITATIONS

1. This warranty does not apply to commercial installations (defined as installations in apartments and other rental units, non-residential facilities, hotels, commercial businesses and/or other public accommodations). The AS AMERICA, INC. LIMITED WARRANTY FOR COMMERCIAL USE AMERICAST® TUBS applies to commercial installations.
2. This warranty only applies to products **purchased** after January 1, 2017.
3. This warranty only applies to products purchased through an authorized AS America, Inc. dealer or re-seller.
4. This warranty does not apply to defects or damage caused by non-genuine American Standard parts, installation error, product abuse, product misuse, improper maintenance, improper care or cleaning, improper repair or installation, and/or movement or transfer of the tub from its original installation location (whether performed by you, a plumber, a contractor or a service company). Because improper care and cleaning can cause significant damage to the tub, it is strongly recommended that you follow the Care and Cleaning Instructions (as well as the other instructions) that accompanied the tub.
5. American Standard is not responsible for labor charges and/or damage incurred during installation, repair or replacement.
6. American Standard does not warrant that this product and/or its installation complies with local code requirements. American Standard recommends that you consult with a plumbing contractor about local code requirements.

TO THE EXTENT PERMITTED BY LAW, THIS WARRANTY IS EXCLUSIVE AND IN LIEU OF ALL OTHER WARRANTIES, WHETHER ORAL OR WRITTEN, STATUTORY, EXPRESS OR IMPLIED. AMERICAN STANDARD HEREBY EXCLUDES SPECIAL, INCIDENTAL AND CONSEQUENTIAL DAMAGES FOR ANY BREACH OF ANY EXPRESS OR IMPLIED WARRANTY APPLICABLE TO THIS PRODUCT.

Some states do not allow the exclusion or limitation of incidental or consequential damages, so the above limitations and exclusions may not apply to you. This warranty gives you specific legal rights, and you may also have other rights which vary from state to state (or province, as applicable).

OBTAINING WARRANTY SERVICE

If you believe that you have a warranty claim, contact American Standard, either through an authorized AS America, Inc. dealer or re-seller, or by writing:

In the United States:
 AMERICAN STANDARD BRANDS
 One Centennial Avenue
 Piscataway, NJ 08854
 Attn: Director of Consumer Affairs
 For other information, or to obtain
 the name and address of the service
 and repair facility nearest you,
 call (800) 442-1902
 www.americanstandard.com

In Canada:
 AS CANADA ULC
 5900 Avebury Road
 Mississauga, Ontario
 Canada L5R 3M3
 For other information, or to obtain
 the name and address of the service
 and repair facility nearest you,
 call (800) 387-0369
 www.americanstandard.ca

In Mexico:
 AMERICAN STANDARD B&K MEXICO
 S. de R.L. de C.V.
 Via Morelos #330
 Col. Santa Clara
 Ecatepec 55540, Edo. Mexico
 For other information, or to obtain
 the name and address of the service
 and repair facility nearest you,
 call 01-800-839-1200
 www.americanstandard.com.mx

Please be sure to provide all pertinent information regarding your claim, including a complete description of the problem, the product, model number, color, finish, purchase date, and from whom the product was purchased.

AS AMERICA, INC. LIMITED WARRANTY FOR COMMERCIAL USE AMERICAST® TUBS

WARRANTY COVERAGE

AS America, Inc. ("American Standard") warrants this product against defects in materials and workmanship under normal commercial use for a period of TEN (10) years from the date of first purchase. The TEN (10) year warranty period does not apply to this product's textured bottom surface. American Standard warrants the textured bottom surface against defects in materials and workmanship under normal commercial use for a period of ONE (1) year from the date of first purchase.

Commercial use is defined as installations in apartments and other rental units, non-residential facilities, hotels, commercial businesses and/or other public accommodations.

This warranty is provided for the exclusive benefit of the initial commercial purchaser or owner. This warranty is non-transferable to subsequent purchasers or owners. The sole exception to the non-transferability of this warranty is that if this product is purchased by a plumber, contractor or other service provider, this warranty extends to the first commercial owner on whose behalf the product was purchased for installation. This warranty applies only to tubs installed in the United States of America, Canada or Mexico.

If a defect arises and a valid claim is received, American Standard will, at its option, either repair or replace the defective product free of charge. The decision whether to repair or replace is determined by American Standard in its sole discretion. Proof of purchase (original sales receipt) must be provided to American Standard with all warranty claims.

This warranty only applies to American Standard Americast® tubs. Unless otherwise specified, all other American Standard options and accessories are covered by the AS AMERICA, INC. ONE YEAR LIMITED WARRANTY, which warrants options and accessories against defects in material and workmanship for one (1) year from the date of first purchase.

EXCLUSIONS AND LIMITATIONS

1. This warranty does not apply to personal residential installations. The AS AMERICA, INC. LIFETIME LIMITED WARRANTY FOR PERSONAL RESIDENTIAL USE AMERICAST® TUBS applies to personal residential installations.
2. This warranty only applies to products **purchased** after January 1, 2017.
3. This warranty only applies to products purchased through an authorized AS America, Inc. dealer or re-seller.
4. This warranty does not apply to defects or damage caused by non-genuine American Standard parts, installation error, product abuse, product misuse, improper maintenance, improper care or cleaning, improper repair or installation, and/or movement or transfer of the tub from its original installation location (whether performed by you, a plumber, a contractor or a service company). Because improper care and cleaning can cause significant damage to the tub, it is strongly recommended that you follow the Care and Cleaning Instructions (as well as the other instructions) that accompanied the tub.
5. American Standard is not responsible for labor charges and/or damage incurred during installation, repair or replacement.
6. American Standard does not warrant that this product and/or its installation complies with local code requirements. American Standard recommends that you consult with a plumbing contractor about local code requirements.

TO THE EXTENT PERMITTED BY LAW, THIS WARRANTY IS EXCLUSIVE AND IN LIEU OF ALL OTHER WARRANTIES, WHETHER ORAL OR WRITTEN, STATUTORY, EXPRESS OR IMPLIED. AMERICAN STANDARD HEREBY EXCLUDES SPECIAL, INCIDENTAL AND CONSEQUENTIAL DAMAGES FOR ANY BREACH OF ANY EXPRESS OR IMPLIED WARRANTY APPLICABLE TO THIS PRODUCT.

Some states do not allow the exclusion or limitation of incidental or consequential damages, so the above limitations and exclusions may not apply to you. This warranty gives you specific legal rights, and you may also have other rights which vary from state to state (or province, as applicable).

OBTAINING WARRANTY SERVICE

If you believe that you have a warranty claim, contact American Standard, either through an authorized AS America, Inc. dealer or re-seller, or by writing:

In the United States:
 AMERICAN STANDARD BRANDS
 One Centennial Avenue
 Piscataway, NJ 08855
 Attn: Director of Consumer Affairs
 For other information, or to obtain
 the name and address of the service
 and repair facility nearest you,
 call (800) 442-1902
 www.americanstandard.com

In Canada:
 AS CANADA ULC
 5900 Avebury Road
 Mississauga, Ontario
 Canada L5R 3M3
 For other information, or to obtain
 the name and address of the service
 and repair facility nearest you,
 call (800) 387-0369
 www.americanstandard.ca

In Mexico:
 AMERICAN STANDARD B&K MEXICO
 S. de R.L. de C.V.
 Via Morelos #330
 Col. Santa Clara
 Ecatepec 55540, Edo. Mexico
 For other information, or to obtain
 the name and address of the service
 and repair facility nearest you,
 call 01-800-839-1200
 www.americanstandard.com.mx

Please be sure to provide all pertinent information regarding your claim, including a complete description of the problem, the product, model number, color, finish, purchase date, and from whom the product was purchased.