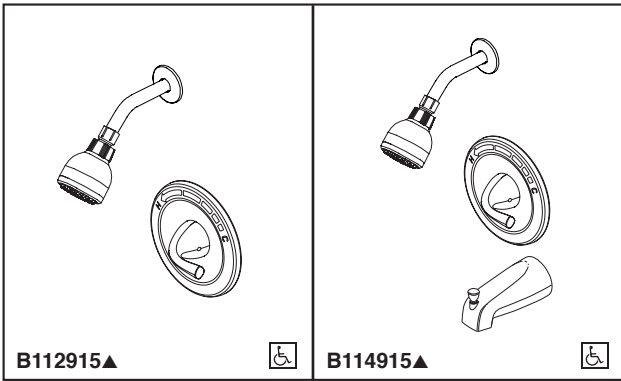




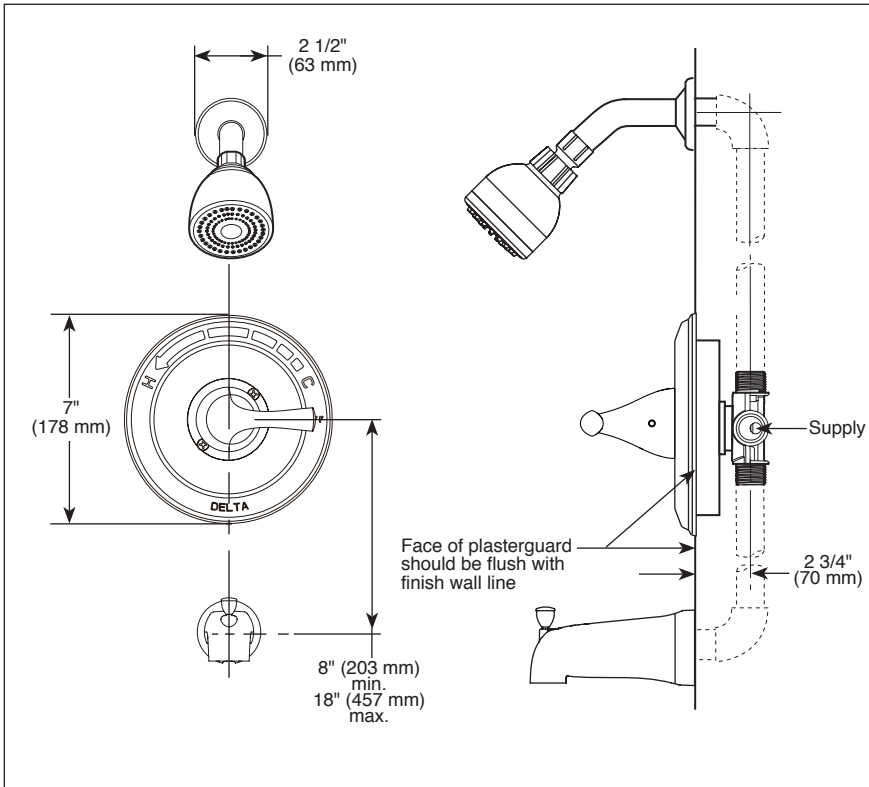
TUB AND SHOWER FAUCET

- Foundation® Collection
- Shower Only (B112915 Series)
- Tub/Shower (B114915 Series)



Submitted Model No.: _____

Specific Features: _____



STANDARD SPECIFICATIONS:

- Slip-on tub spout, model B114915.
- Tub/Shower require 1 1/2" wall cavity.
- Valve has back-to-back installation capability.
- Forged brass body.
- Cartridge utilizes integral check valves to prevent the cross flow of water within the valve. Valve reduces the flow of water to 0.5 GPM within 5 seconds of the complete loss of pressure in the hot or cold water supply line. Outlet water temperature is maintained within $\pm 3^\circ$ F variation with changes in either hot or cold supply of up to 50 percent of the normal supply pressure. Temperature is controlled by handle with cold water always coming on first.
- Field adjustable means to limit handle rotation into hot water zone. Per ASSE 1016.
- Temperature control to rotate a maximum of 120 from full cold to the maximum temperature
- Single Handle.
- Pressure Balance.
- For use with automatic compensating valves rated at 7.28 L/min (1.92 gpm) or less.

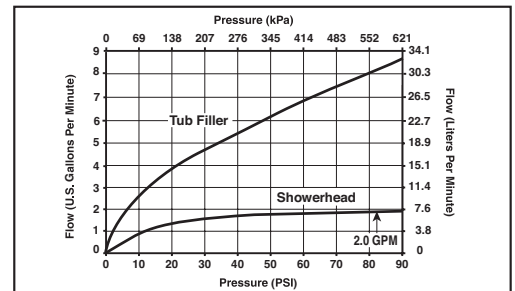
WARRANTY

- Lifetime limited warranty on parts (other than electronic parts and batteries) and finishes: or, for commercial users, for 5 years from date of purchase.
- 5 year limited warranty on electronic parts (other than batteries); or, for commercial users, for 1 year from the date of purchase. No warranty is provided on batteries.



COMPLIES WITH:

- ASME A112.18.1 / CSA B125.1
- Indicates compliance to ICC/ANSI A117.1
- ASSE 1016
- EPA WaterSense®



<p>RP44121▲</p>	<p>RP70536▲ 2.0 GPM</p>
<p>RP71609▲</p> <p>*1/2"-14 threaded tub spout with slip-on adapter included</p>	

▲ Designate proper finish suffix

Delta reserves the right (1) to make changes in specifications and materials, and (2) to change or discontinue models, both without notice or obligation. Dimensions are for reference only. See current full-line price book or www.deltafaucet.com for finish options and product availability.

DSP-B-B112915 Rev. A



55 E. 111th Street, Indianapolis, Indiana 46280
 350 South Edgeware Road, St. Thomas, ON N5P 4L1
 © 2016 Masco Corporation of Indiana