

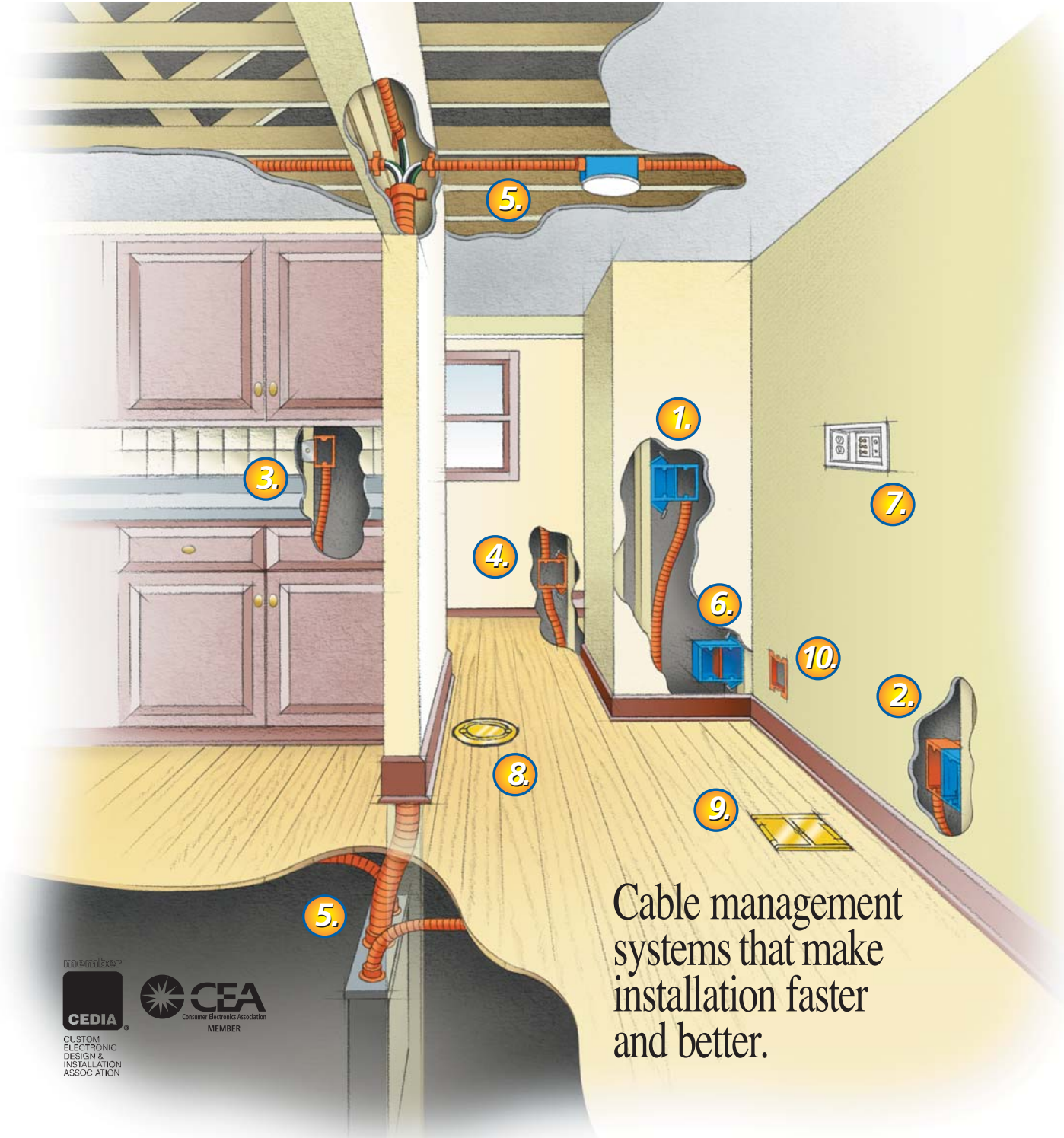


# Carlon<sup>®</sup> LV

## Carlon<sup>®</sup> Orange Structured Cable Management System

Carlon<sup>®</sup> structured cable management system (SCMS) is designed for general purpose low voltage residential wire and cable management. This series of boxes and brackets are accompanied by a corrugated conduit system and accessories to future proof your home.

Carlon<sup>®</sup> Orange Low Voltage Boxes/Brackets



Cable management systems that make installation faster and better.



CUSTOM ELECTRONIC DESIGN & INSTALLATION ASSOCIATION



Thomas & Betts

[www.tnb.com](http://www.tnb.com)

United States  
Tel: 901.252.8000  
Fax: 901.252.1354

Technical Services  
Tel: 888.862.3289



## 1. Dual Voltage Box/Bracket

Here's a smart alternative where you would normally use separate high and low voltage boxes. Designed to fit a standard two-gang faceplate, this component combines an electrical box and low voltage bracket into a

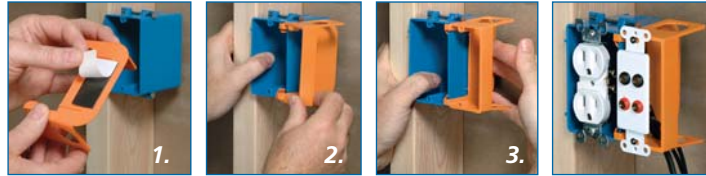
single unit for fast, easy installation. No alignment tools are required, and easy nail-on mounting provides precise placement and a professional finished appearance. Resi-Rings accept 3/4" Resi-Gard® fittings only. SC200DV



Why waste time mounting, then trying to line up separate high voltage and low voltage boxes, and still end up with something not quite right? Our Dual Voltage Box/Bracket lets you do it all in one fast, easy step with perfect alignment every time.

## 2. Low Voltage Add-On Bracket

This low voltage bracket provides a low voltage outlet next to a previously installed high voltage outlet. Great for both new construction and rework, it attaches easily to most electrical boxes, and is designed to fit a standard two-gang faceplate. Resi-Rings accept 3/4" Resi-Gard® fittings only. SC100SC

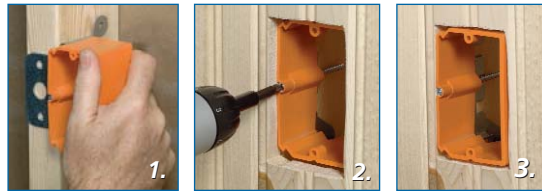


Attaching the Add-On Bracket is a "snap." You just remove the back of the double-sided tape (1), clip the bracket in place (2), and press on the bracket to secure it against the box (3). Allows for the installation of most rectangular yoke plates



## 3. Low Voltage Adjustable Brackets

Our Low Voltage Adjustable Brackets are the perfect solution for tile, paneling, or stucco. A bracket allows for quick, easy stud mounting, and a turn of the screw adjusts to any wall thickness. It's great for retrofit/ installation upgrades. Replace the single-gang bracket with a two-gang bracket, or switch services to a high-voltage Adjust-A-Box™ devices. SC100ADJC (shown) and SC200ADJC



Our Low Voltage Adjustable Brackets simplify installation with tile, paneling, or stucco to save you time and effort. Just use the quick-mount bracket to clip it to the stud (1), add a screw for extra support if you want it (2), then use the adjustment screw to accommodate wall thickness (3). Also available in a two-gang version.

## 4. Low Voltage Brackets

Here's the fast installation choice where only low voltage is required. Designed to fit a standard one-, two- or three-gang faceplate, these low voltage brackets feature an easy nail-on mounting or screw-in bracket, while a hard shell provides increased durability and no racking. Resi-Rings accept 3/4", 1", and 1 1/4" Resi-Gard® fittings (one-and two-gang versions only). SC100A, SC200A (shown), and SC300A



Our Low Voltage Brackets are open-backed to easily accommodate the bend radii required for low voltage cabling and deep devices such as volume controls, while molded-in ports make it easy to connect flexible raceway for future-proofing. Or you can use them to tie off cable to the bracket. They can also be attached to wood or steel studs.



## 5. Resi-Gard® Flexible Raceway And Fittings

Available in 5 sizes from 3/4" to 2", with factory installed pull tape in sizes 1" to 2", our Resi-Gard® Flexible Raceway provides a main

chase from the main distribution panel to a secondary hub in the attic or basement. Ideal for easy access to add cable or service upgrades, or leave empty for future expansion.



Our complete line of quick-connect couplings, adapters, cable clips, conduit clamps, and solvent cement make for quick, easy professional installation of Resi-Gard® Flexible Raceway.

# Carlton® LV

6.



## Dual Voltage Box/Bracket

For applications where a combined high and low voltage closed back box is needed, such as placement in a fire-rated wall, we offer our Carlton SuperBlue® two-, three-, and four-gang wiring boxes with a slip-in-place divider to give you the split box you need for the low voltage outlet. SCDIV



What could be easier than converting one of our Carlton SuperBlue® boxes for both high and low voltage use? Just slip the divider into place, and you're ready to go. Great for situations requiring a dual voltage fire-rated box.

## Recessed Dual Voltage 3-Gang Old Work Plate

7.

The New Carlton RDV 3-Gang Old Work Plate has been developed to simplify today's in-home entertainment/networking needs. The box is designed to accommodate the wires, cables and cords used with flat panel display installations. It features a two-gang low voltage opening and a one-gang opening for an outlet/switch box (boxes, devices, and plates not included). SC300PRB and SC300PRR



The hi-gloss, recessed design eliminates unsightly wires, cables, and cords, and blends with any décor. The RDV Old Work Plate makes installing flat panel displays faster and easier!

8.



## Drop-in Floor Box

The Carlton Drop-In Floor Box with Brass Cover combines many of the same features in our existing Floor Box line with the strength, durability

and style necessary to accommodate today's residential electrical/telecommunication needs. The Carlton Drop-In Floor Box is the fastest easiest way for contractors to put a floor socket anywhere they need it! It's designed to accommodate line voltage and low voltage applications E971FBDI-2 and E971FBDIB-2



Drill hole in floor using hole saw. Pull romex through floor. Connect receptacle wires to romex. Brass cover snaps into place. Use a small screwdriver to pry open brass cover to plug in appliance.

For more information about this floor box refer to [www.tnb.com](http://www.tnb.com) or the Thomas & Betts Residential catalog.

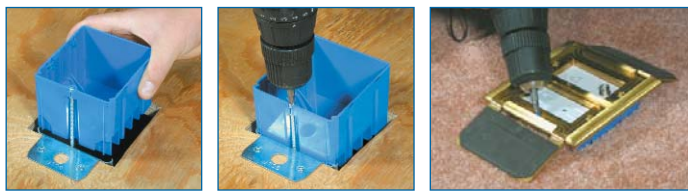
## Adjust-A-Box™ Floor Box

9.

Carlton Adjust-A-Box™ Floor Boxes make installing floor outlets faster and easy by providing maximum installation flexibility. The box features a patented adjustment screw designed to adjust the box from 0" to 1-3/4" by simply turning the screw clockwise or counterclockwise, providing a flush mount every time.



B234BFBB (brass cover) and B234BFSS (stainless steel)



Install clip over subfloor. Screw in to adjust to height of flooring or carpet. Beautiful flush fit every time!

For more information about this floor box refer to [www.tnb.com](http://www.tnb.com) or the Thomas & Betts Residential catalog.

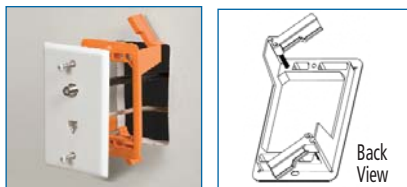
10.



## Old Work Bracket

Carlton Low Voltage Old Work Brackets are specifically designed for the installation of low voltage devices such as cable television, data communications or telephone

jacks in an existing wall. The backless feature provides the space need for the bend radius requirements of coaxial or data/communication cables. It also eliminates the need for metal plates, lags or screws. SC100RR (shown) and SC200RR



1. Use the holes in the corners to mark the opening.
2. Cut out the drywall.
3. Place box in wall.
4. Secure box to wall.

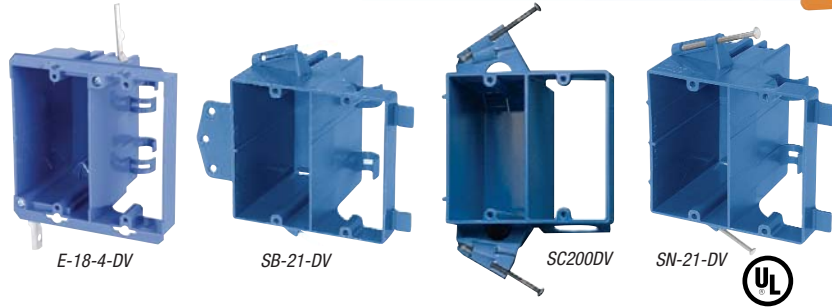


## New Work and Old Work Boxes



### Dual Voltage Box/Bracket

- Dual Voltage Capability
- Accepts a two-gang face plate.
- 3/4" Resi-Rings
- Backless Design accommodates large/deep low voltage devices.
- Eliminates cutting the backs off Electrical Boxes.
- Accommodates bend radius requirements for low voltage cabling.
- Provides ample space for installation.



CAT. NO.	SIZE CU. IN.	MOUNTING MEANS	DESCRIPTION	DIMENSIONS (IN.)	STD. CTN. QTY.
• E-18-4-DV	18.0	#4 Swing Brackets	V-clamps, additional tabs for cable mounts	3¾ L x 4 W x 3 D	50
• SB-21-DV	20.5	Molded bracket for wood/steel studs	Additional tabs for cable mounts	3⅝ L x 4 W x 3⅞ D	50
• SC200DV	20.5	Angled side nails	¾" dia. Resi-Ring for Resi-Gard fitting	3.69 L x 4.04 W x 3.67 D	16
• SN-21-DV	20.5	Angled side nails	Additional tabs for cable mounts	3⅝ L x 4 W x 3⅞ D	50

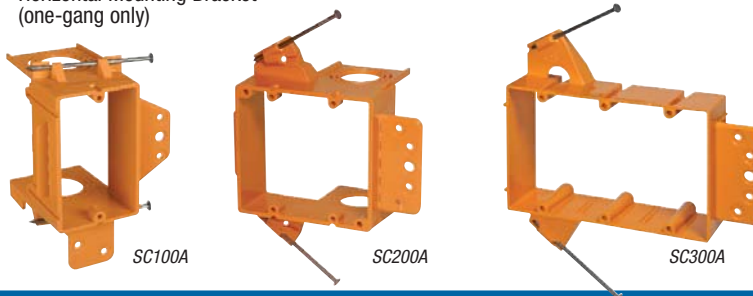
• UL Listed E11461 80°C heat-rated material  
Permissible for use with 90°C insulated conductors

### Low Voltage Brackets

- Backless Design accommodates large/deep low voltage devices
- Eliminates cutting the backs off Electrical Boxes.
- Accommodates bend radius requirements for low voltage cabling
- Provides ample space for installation
- Mount Flange for steel stud application

#### One-and two-gang versions only

- Resi-Rings with Concentric Knockouts
- Accepts 3/4", 1", and 1-1/4" Resi-Gard.
- Horizontal Mounting Bracket (one-gang only)
- Breakaway Drywall Support Flange provides easy alignment for 1/2" drywall
- Screw mount option
- Breakaway Vertical Mounting Flange
- Breakaway feature allows the use of the Low Voltage Add-On Bracket



ETV  
Where noted by ▶  
UL

CAT. NO.	SIZE CU. IN.	MOUNTING MEANS	DESCRIPTION	DIMENSIONS (IN.)	STD. CTN. QTY.
• SC100A	N/A	Captive angled nails or brackets for vertical or horizontal mounting	¾", 1", 1¼" Resi-Rings	3.73 L x 2.32 W x 3.15 D	24
• SC200A	N/A	Captive angled nails or bracket	¾", 1", 1¼" Resi-Rings	3.77 L x 4.07 W x 3.15 D	24
▶ SC300A	44	Captive angled nails or bracket	-	3.69 L x 5.81 W x 1.50 D	5

• UL Listed E216492  
Not classified for two-hour firewall/fireceiling rating



### Gangable Low Voltage Bracket

CAT. NO.	SIZE CU. IN.	MOUNTING MEANS	DESCRIPTION	DIMENSIONS (IN.)	STD. CTN. QTY.
LVG	N/A	Captive nails or screw mount	Gangable	3.7 x 1.97 x 2.58 D	32





# Carlton® LV

## New Work and Old Work Boxes

### Low Voltage Add-On Bracket

- Dual Voltage Capability accommodates high and low voltage devices in the same box.
- Attaches to virtually any non-metallic electrical box as long as there's a side for the tape to stick to.
- Accepts a two-gang face plate.
- 3/4" Resi-Rings
- Allows for the installation of most rectangular yoke plates



CAT. NO.	SIZE CU. IN.	MOUNTING MEANS	DESCRIPTION	DIMENSIONS (IN.)	STD. CTN. QTY.
• SC100SC	N/A	Tape	1-gang	3.68 L x 2.36 W x 3.10 D	24

• UL Listed E216492 *Not classified for two-hour firewall/fireceiling rating*

### Low Voltage Adjustable Brackets

- Accommodates varying finished wall thicknesses – ideal for wood paneling, tile or stucco walls.
- With the turn of a screw, adjust to any wall thickness.
- Steel Mounting Bracket provides a secure mount.
- Backless Design accommodates large/deep low voltage devices.
- Eliminates cutting the backs off Electrical Boxes.
- Accommodates bend radius requirements for low voltage cabling.
- Provides ample space for installation.
- Removable Bracket and Interchangeable Mounting Bracket – upgrade from a one-gang to a two-gang anytime.



**CARLON EXCLUSIVE**

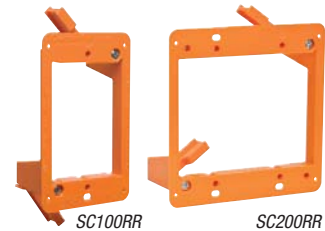


CAT. NO.	SIZE CU. IN.	MOUNTING MEANS	DESCRIPTION	DIMENSIONS (IN.)	STD. CTN. QTY.
• SC100ADJC	21	Adjustable bracket	1-gang	3.56 L x 3.88 W x 1.69 D	24
• SC200ADJC	34	Adjustable bracket	2-gang	3.56 L x 5.63 W x 1.69 D	20

• UL Listed E216492 *Not classified for two-hour firewall/fireceiling rating*

### Old Work Brackets

- Rectangular Flange for faster/easier installation.
- Shallow Bracket – Less material, easier to work with.
- Marking hole for wall opening.
- Thinner Flange for less protrusion on the wall.
- SINGLE GANG ONLY – Clamps stop at center point to prevent the bracket from twisting or bending out of the wall.



CAT. NO.	SIZE CU. IN.	MOUNTING MEANS	DESCRIPTION	DIMENSIONS (IN.)	STD. CTN. QTY.
• SC100RR	N/A	Swing brackets	1-gang	4.32 L x 2.52 W x 1.66 D	12
• SC200RR	N/A	Swing brackets	2-gang	4.28 L x 4.28 W x 1.66 D	6

• UL Listed E216492 *Not classified for two-hour firewall/fireceiling rating*

### Low Voltage Divider Plate



CAT. NO.	STD. CTN. QTY.
• SCDIV	50

• For use with Carlton SuperBlue® boxes only (Refer to page 12)

### Mud Ring (4" sq. 1/2" Raised Cover)



CAT. NO.	DESCRIPTION	STD. CTN. QTY.
• SCA410	1-gang	20

• UL Listed E11461  
*Classified for two hour fire resistive wall assemblies when used with two-gang Quick Connect outlet and switch boxes*



# Carlton<sup>®</sup> LV New Work Boxes



## Low Voltage Adjustable Floor Bracket w/ Cover

**CARLON EXCLUSIVE**

The Carlton Low Voltage Adjustable Floor Bracket is specifically designed for the low voltage, structured cabling market... *the floor bracket is industry standard orange to identify low voltage applications, the open design provides the space needed for low voltage bend radius requirements, and the Leviton QuickPort<sup>®</sup> Quad 106<sup>®</sup> Insert provides up to four low voltage outlet ports.* The Carlton Low Voltage Adjustable Floor Bracket is ideal for any residential or commercial low voltage application.

The floor bracket also features a patented screw design allowing it to be adjusted to most finished floor heights by simply turning the screw clockwise or counterclockwise and adjusting flush to the floor.

The floor bracket kit comes complete with a non-metallic (white or ivory) or brass cover, a Leviton QuickPort Quad 106 Insert, new work and old work metal mounting brackets, and mounting screws.

*Carlton Structured Cable Management Systems... Your Total Systems Solution!*

- White, Ivory, or Brass Cover
- Orange – Identifies Low Voltage Installations
- Open Design Floor Bracket – Accommodates Low Voltage Bend Radius Requirements
- Patented Adjustable Screw – Bracket Adjusts to Most Finished Floor Depths
- Leviton QuickPort Quad 106 Insert – Install up to 4 Low Voltage Inserts
- Two-Door Design
- C-UL-US Listed



SC100FBWC



SC100FBBC



SC100FBVC



SC100FBWC



### One-Gang Adjustable

CAT. NO.	SIZE CU. IN.	MOUNTING MEANS	DESCRIPTION	DIMENSIONS (IN.)	STD. CTN. QTY.
• SC100FBBC	N/A	Adjustable bracket	Brass	2.80 L x 4.36 W x 1.72 D	8
• SC100FBVC	N/A	Adjustable bracket	Non-metallic – Ivory	2.80 L x 4.36 W x 1.72 D	8
• SC100FBWC	N/A	Adjustable bracket	Non-metallic – White	2.80 L x 4.36 W x 1.72 D	8

• UL Listed E216492

### Installation:



Install clip over subfloor.



Screw in to adjust to height of flooring or carpet.



Beautiful flush fit every time!

Carlton<sup>®</sup> Orange Low Voltage Boxes/Brackets

United States  
Tel: 901.252.8000  
Fax: 901.252.1354

Technical Services  
Tel: 888.862.3289

**Thomas & Betts**

[www.tnb.com](http://www.tnb.com)





# Carlton<sup>®</sup> LV Old Work Box

## Recessed Dual Voltage 3-Gang Old Work Plate

Carlton<sup>®</sup> Orange Low Voltage Boxes/Brackets



SC300PRB

The New Carlton RDV 3-Gang Old Work Plate has been developed to simplify today's in-home entertainment/networking needs. The box is designed to accommodate the wires, cables and cords used with flat panel display installations. It features a two-gang low voltage opening and a one-gang opening for an outlet/switch box (boxes, devices, and plates not included). The hi-gloss, recessed design eliminates unsightly wires, cables, and cords, and blends with any décor. The RDV Old Work Plate makes installing flat panel displays faster and easier!



# Carlton<sup>®</sup> LV Old Work Box



## Features:

- 3-Gang dual service capability: Accommodates (1) line voltage and (2) low voltage services using one plate (boxes, devices, and plates not included)
- Recessed low profile design: Eliminates unsightly wires and plug heads
- Universal 1-gang outlet / switch opening: Select the size box you need
- Pre-assembled box and frame: Reduces labor time and saves money
- Shallow design: Provides ample room behind the dry wall and between the studs, and accommodates cable bend requirements
- 4 Swing out clamps: Locks the plate securely to the wall – horizontal or vertical mount
- Superior hi-gloss, paintable finish: Professional appearance, and blends with any décor
- Non-metallic, ABS material: Lightweight and easy to handle

## Installation

Please read these instructions completely before attempting installation.

**IMPORTANT!** Before attempting installation be sure power is off by removing the fuse or switching the circuit breaker to "off". Make sure the Recessed Dual Voltage plate is installed in accordance with the National Electrical Code (NEC) and local codes.



1. Locate studs and determine if they are 16" or 24" apart. If 16" apart, measure a maximum of 3" from edge of stud to determine plate location. If 24" apart, center plate between studs. Note: High voltage side must be 3" from stud.
2. Place SC300PRB or SC300PRR face down against the wall. Using a hammer, tap around the edge of the plate to mark area to be cut out (Fig. 1). Remove plate from wall, a line should be visible on the dry-wall. Cutout should be 6.25" x 9.25" approximately.
3. Carefully cut out area of drywall with a utility knife or drywall saw.
4. Place SC300PRB or SC300PRR in wall and secure by tightening down all four Zip-Mount retainers (Fig. 2).
5. Select device and outlet/switch box, cat. number B114R (14 cu. in.) or B120R (20 cu. in.), based on wire fill needs (Fig. 3).
6. Insert wires through boxes (B114R or B120R, and SC300PRB or SC300PRR). Make sure high and low voltage wires do not come in contact with one another.
7. Install Carlton Old Work Zip Box<sup>®</sup>, model B114R or B120R (Fig. 4).
8. Install receptacle and faceplate per manufacturer's instructions (Fig. 5).
9. Install low voltage devices and faceplate per manufacturer's instructions (Fig. 6 and Fig. 7).

**Note:** When preparing for later installation of low voltage devices, use a 2 gang blank plate to cover wall opening for a clean finished look.





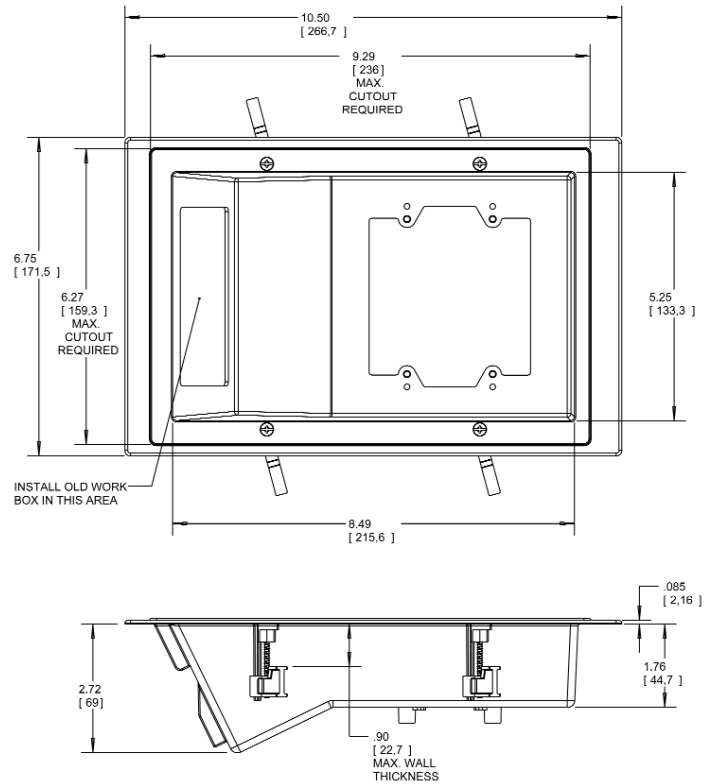


# Carlton® LV Old Work Box



## Specifications

CAT. NO.	SIZE CU. IN.	MOUNTING MEANS	DESCRIPTION	DIMENSIONS (IN.)	STD. CTN. QTY.
SC300PRB	N/A	Zip-Mount retainers	RDV 3-Gang old work plate	6.75 L x 10.5 W x 2.72 D	20
SC300PRR	N/A	Zip-Mount retainers	RDV 3-Gang old work plate w/ outlet box (B114R)	6.75 L x 10.5 W x 2.72 D	3



## Installed



Top view showing ample room between drywall and studs



### Resi-Gard<sup>®</sup> Flexible Raceway

Ideal for providing a main chase from the main distribution panel to a secondary hub in the attic or basement, Resi-Gard<sup>®</sup> non-metallic flexible raceway is available in 3/4" to 2" diameter sizes with factory installed pull tape in sizes 1" to 2". The raceway is hand bendable, lightweight and easily cut to length to reduce scrap. Bright orange color clearly signifies a low voltage installation.

#### Standard Length Coils

CAT. NO.	SIZE	PULL TAPE	DESCRIPTION	REEL LENGTH (FT.)
• SCE4X1-100	3/4"	Empty*	Flexible raceway	100
• SCF4X1C-100	1"	900 lbs.	Flexible raceway	100
• SCG4X1C-100	1 1/4"	900 lbs.	Flexible raceway	100
• SCH4X1C-50	1 1/2"	900 lbs.	Flexible raceway	50
• SCJ4X1C-100	2"	900 lbs.	Flexible raceway	50

• E151168

FT-1 Rated

\*If installing own tape, a lubricated polyester is recommended.

#### Standard Length Reels



CAT. NO.	SIZE	PULL TAPE	DESCRIPTION	REEL LENGTH (FT.)
• SCE4X1-1000	3/4"	Empty	Flexible raceway	1000
• SCF4X1C-1500	1"	900 lbs.	Flexible raceway	1500
• SCJ4X1C-500	2"	900 lbs.	Flexible raceway	500

• E151168

FT-1 Rated

Made to order

### Resi-Gard<sup>®</sup> Fittings

#### Quick Connect Coupling



SCE240E



CAT. NO.	SIZE	STD. CTN. QTY.
• SCE240E	3/4"	25
• SCE240F	1"	20

• E86720

#### Quick Connect Threaded Adapter



SCE243E



CAT. NO.	SIZE	STD. CTN. QTY.
• SCE243E	3/4"	25
• SCE243F	1"	20

• E86720

#### Quick Connect Snap-In-Adapter



SCE253E



CAT. NO.	SIZE	STD. CTN. QTY.
• SCE253E	3/4"	25
• SCE253F	1"	20

• E86720

#### Male Terminal Adapter



SCE943G

CAT. NO.	SIZE	STD. CTN. QTY.
• SCE943G	1 1/4"	50
• SCE943H	1 1/2"	25
• SCE943J	2"	50

• E23018

Must be cemented to Resi-Gard<sup>®</sup> Flexible Raceway using ONLY Resi-Gard Solvent Cement

#### Standard Couplings



SCE940G

CAT. NO.	SIZE	STD. CTN. QTY.
• SCE940G	1 1/4"	30
• SCE940H	1 1/2"	25
• SCE940J	2"	30

• E23018

Must be cemented to Resi-Gard<sup>®</sup> Flexible Raceway using ONLY Resi-Gard Solvent Cement

#### PVC Lock Nut



LT9E



CAT. NO.	SIZE	STD. CTN. QTY.
• LT9LE	3/4"	700
• LT9LF	1"	600

• Non-UL listed

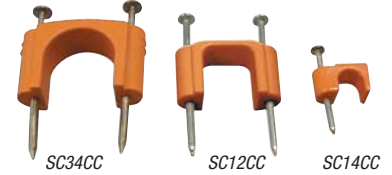


# Carlton® LV

## Accessories - Low Voltage

### Cable Clips

Pre-installed nails provide fast and easy installation for either a single cable, 2-3 cables, or 1 bundled cable.



CAT. NO.	SIZE	STANDARD BAG QUANTITY	STD. CTN. QTY.
SC14CC	1/4"	1 ea. (equals one bag of 100 Clips)	10 bags of 100
SC12CC	1/2"	1 ea. (equals one bag of 25 Clips)	310 bags of 25
SC34CC	3/4"	1 ea. (equals one bag of 10 Clips)	20 bags of 10

### Conduit Clamps

Designed to secure Resi-Gard raceway or bundled cable.



CAT. NO.	SIZE	STANDARD BAG QUANTITY	STD. CTN. QTY.
• SCE977EC	3/4"	1 ea. (equals one bag of 5 clamps)	20 bags of 5
• SCE977FC	1"	1 ea. (equals one bag of 5 clamps)	12 bags of 5
• SCE977GC	1 1/4"	1 ea. (equals one bag of 5 clamps)	8 bags of 5
• SCE977HC	1 1/2"	1 ea. (equals one bag of 5 clamps)	6 bags of 5
• SCE977JC	2"	1 ea. (equals one bag of 5 clamps)	6 bags of 5

• Each clamp requires 2 screws, 2 nuts, and/or 2 bolts

### Resi-Gard® Solvent Cement

RECOMMENDED PIPE APPLICATION AND SIZES	SET-UP TIME (EVAPORATION RATE)	RECOMMENDED INSTALLATION TEMPERATURE	LAP SHEAR @ 73°F	VISCOSITY AT 75° AS MANUFACTURED
For use with Resi-Gard® Riser-Gard®, P&C Flex®, and Carlton PVC fittings. Up through 6" diameter.	10°-30°F	Use extra caution	2 hrs. 350 psi	500-900 cps
	30°-50°F	5-6 minutes	16 hrs. 800 psi	
	50°-70°F	3-4 minutes	72 hrs. 1,500 psi	
	70°-90°F	1-2 minutes		

CAT. NO.	SIZE	APPLICATOR	DESCRIPTION	STD. CTN. QTY.
• VC9963SC	Pint	Brush	Resi-Gard® Solvent Cement Clear	24

• Meets ASTM D-2564



VC9963SC





### Cutters

Ideal for fast, smooth field cuts for up to 1" diameter Resi-Gard non-metallic flexible raceway. The large PVC Cutter is ideal for cuts up to 2" diameter non-metallic rigid and flexible raceway.

#### Small Cutter

For fast, smooth field cuts of 1/2" through 1" innerduct.



CC120B

CAT. NO.	SIZE	STD. CTN. QTY.
CC120B	8"	10

#### Large Cutter

For clean cuts of conduit 1/2" through 2".



CC122

CAT. NO.	SIZE	STD. CTN. QTY.
CC122	17 1/2"	1

## Covers and Accessories

### Covers



A410



#### One-Gang

CAT. NO.	SIZE CU. IN.	DESCRIPTION	STD. CTN. QTY.
• A410	3.5	1/2" rise	100
• A411	4.2	5/8" rise	50
• A412	5.0	3/4" rise	50
• A413	6.6	1" rise	40
• A414	8.1	1 1/4" rise	30

• UL Listed E11461



A400

A420



#### Two-Gang

CAT. NO.	SIZE CU. IN.	DESCRIPTION	STD. CTN. QTY.
• A400	–	Blank	100
• A420	6.1	1/2" rise	75
• A421	7.4	5/8" rise	50
• A422	8.8	3/4" rise	50

• UL Listed E11461



A470D

E460R-CAR

CPC4WH

#### Round Blank Cover



#### Round Plaster Ring

A471



CAT. NO.	SIZE CU. IN.	DESCRIPTION	STD. CTN. QTY.
• A471	3.2	1/2" rise	100
• A472	4.0	5/8" rise	100

• UL Listed E11461

Listed for fixture support up to 50 lbs.

CAT. NO.	SIZE CU. IN.	COLOR	DESCRIPTION	STD. CTN. QTY.
• A470D	–	Blue	Blank with 1/2" KO	100
• E460R-CAR	–	Blue	Blank	35
• CPC4WH	–	White	Ceiling box cover	12

• UL Listed E11461

### Accessories



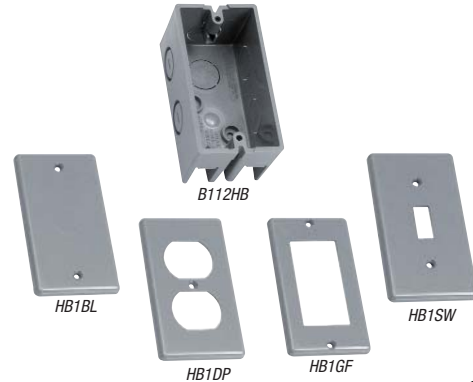
B1EXTB



#### Box Extender

CAT. NO.	SIZE CU. IN.	MOUNTING MEANS	DIMENSIONS (IN.)	STD. CTN. QTY.
• B1EXTB	–	Screws	3 1/4 L x 2 1/4 W	25

• UL Listed E11461



B112HB

HB1BL

HB1DP

HB1GF

HB1SW

#### Handy Box and Covers



CAT. NO.	SIZE CU. IN.	DESCRIPTION	STD. CTN. QTY.
B112HB	1 7/8" x 4" x 2 1/8"	Handy Box – one-gang	50
HB1BL	.25" x 4.30" x 2.38"	Blank cover	25
HB1DP	.25" x 4.30" x 2.38"	Duplex receptacle cover	25
HB1GF	.25" x 4.30" x 2.38"	GFCI cover	25
HB1SW	.25" x 4.30" x 2.38"	Toggle switch cover	25

UL Listed E42728



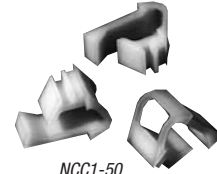
36



36-PFC



40-UB



NCC1-50

### Accessory Clamps and Ground Strap

CAT. NO.	DESCRIPTION	STD. CTN. QTY.
36	Metal stamped clamp and screw unassembled	50
36-PFC	Non-metallic clamp	50
40-UB	Ground strap for phenolic boxes	50
NCC1-50	Non-metallic cable lock clamp for strain relief of non-metallic cable	500 (10 bags of 50)

### NEC Box Requirements\*

*Cubic Inches for 1-40 Conductors*

WIRE SIZE AWG	CUBIC INCH CAPACITY BY NUMBER OF CONDUCTORS																			
	1	2	3	4	5	6	7	8	9	10	11	12	13	14	15	16	17	18	19	20
18	1.50	3.00	4.50	6.00	7.50	9.00	10.50	12.00	13.50	15.00	16.50	18.00	19.50	21.00	22.50	24.00	25.50	27.00	28.50	30.00
16	1.75	3.50	5.25	7.00	8.75	10.50	12.25	14.00	15.75	17.50	19.25	21.00	22.75	24.50	26.25	28.00	29.75	31.50	33.25	36.00
14	2.00	4.00	6.00	8.00	10.00	12.00	14.00	16.00	18.00	20.00	22.00	24.00	26.00	28.00	30.00	32.00	34.00	36.00	38.00	40.00
12	2.25	4.50	6.75	9.00	11.25	13.50	15.75	18.00	20.25	22.50	24.75	27.00	29.25	31.50	33.75	36.00	38.25	40.50	42.75	45.00
10	2.50	5.00	7.50	10.00	12.50	15.00	17.50	20.00	22.50	25.00	27.50	30.00	32.50	35.00	37.50	40.00	42.50	45.00	47.50	50.00
	<b>21</b>	<b>22</b>	<b>23</b>	<b>24</b>	<b>25</b>	<b>26</b>	<b>27</b>	<b>28</b>	<b>29</b>	<b>30</b>	<b>31</b>	<b>32</b>	<b>33</b>	<b>34</b>	<b>35</b>	<b>36</b>	<b>37</b>	<b>38</b>	<b>39</b>	<b>40</b>
18	31.50	33.00	34.50	36.00	37.50	39.00	40.50	42.00	43.50	45.00	46.50	48.00	49.50	51.00	52.50	54.00	55.50	57.00	58.50	60.00
16	36.75	38.50	40.25	42.00	43.75	45.50	47.25	49.00	50.75	52.50	54.25	56.00	57.75	59.50	61.25	63.00	64.75	66.50	68.25	70.00
14	42.00	44.00	46.00	48.00	50.00	52.00	54.00	56.00	58.00	60.00	62.00	64.00	66.00	68.00	70.00	72.00	74.00	76.00	78.00	80.00
12	47.25	49.50	51.75	54.00	56.25	58.50	60.75	63.00	65.25	67.50	69.75	72.00	74.25	76.50	78.75	81.00	83.25	85.50	87.75	90.00
10	52.50	55.00	57.50	60.00	62.50	65.00	67.50	70.00	72.50	75.00	77.50	80.00	82.50	85.00	87.50	90.00	92.50	95.00	97.50	100.00

\* Make allowance of two additional conductors for each device, one for clamps if required and one for one or more grounding conductors entering the box. See NEC314.16(B), 2005





<u>CAT. NO.</u>	<u>PAGE NO.</u>	<u>CAT. NO.</u>	<u>PAGE NO.</u>	<u>CAT. NO.</u>	<u>PAGE NO.</u>	<u>CAT. NO.</u>	<u>PAGE NO.</u>
1032-C	25	2070	24	3R-16-N-RED	21	5070 Brown	36
1032-UB	25	232-OW	18	4000-02	29	5070 Ivory	36
1040	24	234-LB	16	4000-1-UB	29	5070 White	36
1043	27	234-N	16	4000-N	29	5072 Brown	36
1043-C	27	234-NP	16	4000-N02	29	5072 Ivory	36
1043-C-SQ	27	3000	32	4020-1	29	5072 White	36
1050-UB	24	3000-02	32	4020-1-02	29	5080 Brown	36
1052-C	25	3000-902	32	4022-12	29	5080 Ivory	36
1052-C-SQ	25	3000-9-PC	35	4041	29	5080 White	36
1052-PC	25	3000-9-UB	35	4042-12	29	6000-402	30
1052-UB	25	3000-PC	32	4043	29	6010-402	30
1063	27	3030	32	4051	35	6010-402-PC	30
1063-C	27	3030-02	32	4052 Brown	35	6010-4-PC	30
1063-C-SQ	27	3030-02-40	32	4052 Ivory	35	6010-4-UB	30
1072	25	3030-902	32	4052 White	35	6020-402	31
1072-C	25	3030-PC	32	4060-02	33	6050-4-UB	31
1072-C-SQ	25	3051	35	4060-9402	34	6060-02	30
1072-PC	25	3060	32	4060-9502	34	6060-402	30
114-OW	18	3080	35	4060-N02	33	6062-402	26
118-LB	16	3080-9	35	4061	35	6062-4-UB	26
118-LBP	16	3080-902	35	4062 Brown	35	6062-4-UB-SQ	27
118-N	15	3080-9-40	35	4062 Ivory	35	6063-4	27
118-OW	18	3080-9-40-PC	35	4062 White	35	6063-402	27
120-LB	16	3080-9-PC	35	4070-302	33	6070-402	30
120-LBP	16	3080-9-SQ	35	4070-94	34	6070-4-PC	30
120-N	15	3080-SQ	35	4070-9402	34	6070-4-UB	30
120-N-FS	15	3090-94	34	4070-95	34	6090-402	31
122-LB	16	3090-94-40	34	4070-9502	34	7002-2	26
122-LBP	16	3090-94-SQ	34	4070-95-40	34	7002-202	26
122-N	15	3090-95	34	4070-95-PC	34	7010	31
122-N-FS	15	3090-95-40	34	4070-95-SQ	34	7010-8	31
1240	24	3090-95-SQ	34	4070-N	33	7010-8-SQ	31
1250-112	25	3090-N	32	4070-N02	33	7020-8	31
1250-UB	24	3090-N-40	32	4070-N-SQ	33	7060	31
1250-UB-S	24	3090-N-S	32	40-UB	51	7090	31
1260	24	3090-N-SQ	34	4160-UB	33	7072-2	26
1260-S	24	3190	32	4170	33	7072-202	26
2000	24	3190-C	32	4170-3-CFB	33	7072-N02	26
2000-738	26	3190-C-94	34	4170-C	33	7073-2	27
2002-738-C	26	3190-C-95	34	4170-CFB	33	7073-202	27
2002-R-C	26	3190-C-SQ	34	4170-CFB-S	33	7073-238-02	27
2004-02-BH	28	3190-PC	32	4170-C-SQ	33	7074-02-BH	28
2004-BH	28	345-LB	17	460-LB	17	7074-BH	28
2004-BH-PC	28	345-N	17	460-SB	17	7090	31
2004-238	28	36	51	460-SB-24	17	9050-702	25
2004-238-02	28	36-PFC	51	4S-32-N	18	A400	50
2030	24	3R-16-BH	22	4S-812C	7	A410	50
2030-502	25	3R-16-BHGP	22	5060 Brown	36	A411	50
2030-702	25	3R-16-N	21	5060 Ivory	36	A412	50
2050-UB	24	3R-16-NGP	21	5060 White	36	A413	50





## Catalog Number Index

<u>CAT. NO.</u>	<u>PAGE NO.</u>	<u>CAT. NO.</u>	<u>PAGE NO.</u>	<u>CAT. NO.</u>	<u>PAGE NO.</u>	<u>CAT. NO.</u>	<u>PAGE NO.</u>
A414	50	BH118R	13	HB1BL	50	SC200A	41
A420	50	BH122A-UPC	12	HB1DP	50	SC200ADJC	42
A421	50	BH122S	12	HB1GF	50	SC200DV	41
A422	50	BH234R	13	HB1SW	50	SC200RR	42
A470D	50	BH235A	12	LT9E	47	SC300A	41
A471	50	BH235S	12	LT9F	47	SC300PRB	46
A472	50	BH353A	13	LVG	41	SC300PRR	46
A04-12	37	BH353S	13	MB-18	4	SCA240E	47
A04-34	37	BH464A	13	MB-18-FS	4	SCA240F	47
AO-51	37	BH464S	13	N1-710-M	3	SCA243E	47
B108B-UPC	4	BH525A-UPC	14	N2-1614-MNC	5	SCA243F	47
B108R-UPC	8	BH525H	14	N2-1614-RNC	5	SCA253E	47
B112HB	50	BH525HP	14	N-321-C	21	SCA253F	47
B114R-UPC	8	BH525L	14	N-321-C-94	22	SCA410	42
B117RSW	8	BH525LP	14	N-321-C-95	22	SCE943G	47
B118A	3	BH525P	14	N-321-GC	21	SCE943H	47
B118B-UPC	4	BH614R	14	N-321-GC-94	22	SCE943J	47
B120A-UPC	3	BH614RP	14	N-321-GC-95	22	SCE940G	47
B120R	8	CC120B	49	N-423-C-94-V	22	SCE940H	47
B121ADJ	3	CC122	49	N-423-C-95-V	22	SCE940J	47
B122A-UPC	4	CFB-12	23	N-423-C-V	21	SCA410	42
B1EXTB	50	CFB-16	23	N-423-GC-94-V	22	SCDIV	42
B225R-UPC	9	CFB-16-F	20	N-423-GC-95-V	22	SCE4X1-100	47
B232A-UPC	5	CFB-612	23	N-423-GC-V	21	SCE4X1-1000	47
B232B-UPC	5	CFB-858	23	NCC1-50	51	SCE977EC	48
B234ADJ	5	CFBSO-612	23	NG-236-V	20	SCE977FC	48
B234ADJC	5	CFBSO-858	23	NG-354-V	20	SCE977GC	48
B344AB	6	CPC4WH	50	NG-460-V	20	SCE977HC	48
B349ADJ	6	E-16-8	8	NG-CFB	20	SCE977JC	48
B355R	9	E-18-4	8	RD-30	4	SCF4X1C-100	47
B418A-UPC	7	E-18-4-DV	41	RN-18-FS	3	SCF4X1C-1500	47
B432A-UPC	7	E460R-CAR	50	RN-21-FS	3	SCG4X1C-100	47
B455AH	7	FN-23	19	RN-23	4	SCH4X1C-50	47
B455A-UPC	7	FN-236-V	19	RN-23-FS	4	SCJ4X1C-100	47
B468R	9	FN-354-V	19	SB-21-DV	41	SCJ4X1C-500	47
B518A-UPC	10	FN-426-C-V	19	SB2-236-FS	5	SN-21-DV	41
B518P-UPC	10	FN-460-V	19	SB2-357-FS	6	SN-236	5
B520A-UPC	10	FN-CFB	19	SB-357	6	SN-236-FS	5
B520P-UPC	10	FNP	19, 20	SC12CC	48	SN-236-V	5
B618R-UPC	11	FSC-12	37	SC14CC	48	SN-241	5
B618RP-UPC	11	FSC-34	37	SC34CC	48	SN-241-FS	5
B620DC	11	FSC-34-BP	37	SC100A	41	SN-357	6
B620HG-UPC	11	FSC-51	37	SC100ADJC	42	SN-357-FS	6
B620H-UPC	11	FSC-53	37	SC100FBBC	43	SNO-18	3
B620K	11	FSC-54	37	SC100FBVC	43	SNO-18-M	3
B620KG-UPC	11	FSC-55	37	SC100FBWC	43	VC9963SC	48
B620L-UPC	10	GO-23	15	SC100SC	42		
B720R-SHK	10	GO-23-FS	15	SC100RR	42		



For U.S. Customer Service and Order Inquiries,  
Call 1-800-816-7809 or Fax 1-800-816-7810.

For International Service and Order Inquiries,  
Call (U.S.) 901-252-5400 or Fax 901-252-1330.

For U.S. Technical Support,  
Call 1-888-862-3289 or Fax 901-252-1321.

For International Technical Support,  
Call (U.S.) 901-252-5000, Enter 1, 6672.

For Tool Service and Repair,  
Call 1-800-284-TOOL (8665).

# **Thomas & Betts**

**Thomas & Betts Corporation**  
Electrical Division  
8155 T&B Boulevard  
Memphis, Tennessee 38125

© 2009 Thomas & Betts Corporation. All rights reserved.  
Specifications are subject to change without notice.  
Printed in U.S.A. 09/09/50M Order No. GM-19

**United States**  
Tel: 901.252.8000  
Fax: 901.252.1354

**Technical Services**  
Tel: 888.862.3289

[www.tnb.com](http://www.tnb.com) 