

Icon™ Technical Specification

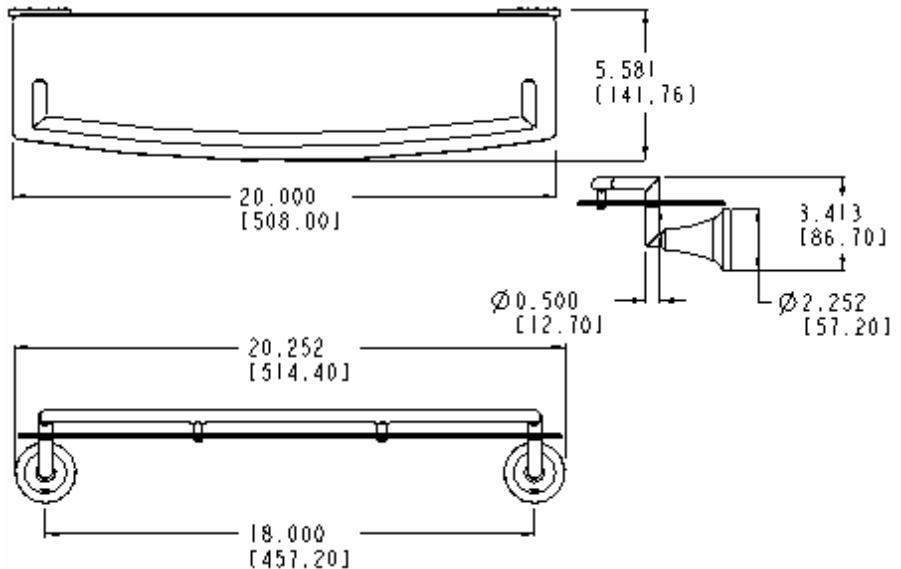
Glass Shelf

YB5890

Stock Numbers:

- q YB5890BN – Glass Shelf
Brushed Nickel Finish
- q YB5890CH – Glass Shelf
Chrome Finish

Dimensions:



Materials:

Glass Shelf posts and rail are constructed of zinc. Shelf is tempered glass.

Installation Instructions:

This product features the Pro+Fit Installation Mounting System. If you do not have the Pro+Fit Installation Template please use the following instructions. (Note: only one hole is required per mounting post.)

1. Find the appropriate center to center measurement for the product you are installing.
2. Mark that distance on the wall where you want to install the product.
3. Use a level to ensure that the pilot holes will be perfectly level.
4. Using $\frac{1}{4}$ " drill bit, drill one pilot hole for each post.
5. Position mounting post to wall by inserting wall anchor into pilot hole and pressing firmly.
6. Make sure that locking tab on mounting post is facing down (6 o'clock).
7. Tighten wall anchor screw while holding mounting post firmly in place. DO NOT over tighten (6 - 8 full turns will secure the anchor).
8. Shelf must be attached to mounting posts as a unit - insert shelf into each post.
9. Attach posts by pressing firmly to mounting posts until it clicks. (The square opening at the base of the post must be facing down to match-up with locking tab.)

If you are mounting any parts into a hard surface snap off the anti-rotation fins on the back of the mounting posts.

Cleaning Instructions:

To preserve the fine finish of this product, clean only with a soft damp cloth. Dry well. Do not use commercial or abrasive cleaners.

Stock Number: _____ Glass Shelf
By Creative Specialties



25300 AL MOEN DRIVE • NORTH OLMSTED, OH 44070
CORPORATE HEADQUARTERS: (800) 321-8809 • FAX: (800) 848-6636
INTERNATIONAL: (440) 962-2000 • FAX: (440) 962-2726
CUSTOMER SERVICE (USA): 800-882-0116 • FAX: (888) 379-2720
WWW.CSI.MOEN.COM

©Copyright Creative Specialties International 2006

Literature #BA1342