

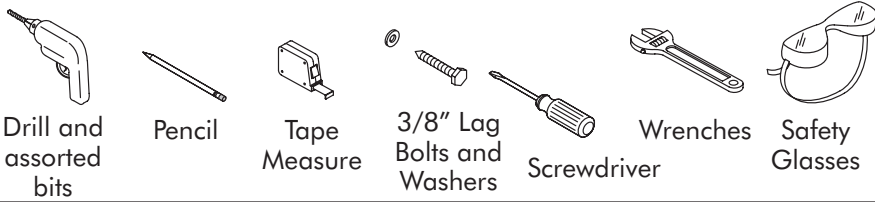
INSTALLATION

G U I D E

WALL-MOUNT
LAVATORIES

THE BOLD LOOK
OF **KOHLER**®

RECOMMENDED TOOLS AND MATERIALS



BEFORE YOU BEGIN

Observe all local plumbing and building codes.

Prior to installation, unpack the new lavatory and carefully inspect it for damage. Return the lavatory to its protective carton until you are ready to install it.

Inspect the waste and supply tubing; replace if necessary.

This lavatory can be installed with the hanger provided, or with a concealed arm carrier. Follow the instructions that apply to your installation.

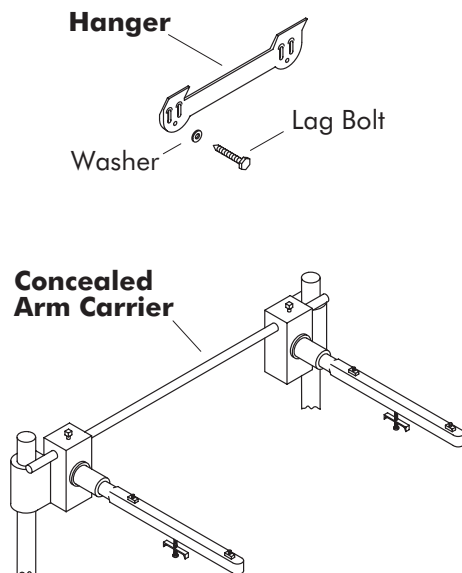
1. INSTALL THE HANGER OR CARRIER

Install the water supplies and the drain piping and trap according to the roughing-in instructions.

Provide sufficient backing behind the finished wall material to support the lavatory.

HANGER (PROVIDED): Install the hanger according to the roughing-in information. Use 1/4" lag bolts and washers (neither is provided) or other suitable fasteners to secure the hanger to the finished wall and backing material. Make sure the hanger is level.

CONCEALED ARM CARRIER: Install the concealed arm carrier according to the roughing-in information. Follow the installation information included with the carrier. Make sure the carrier is level.



IF THE FAUCET AND DRAIN ARE NOT INSTALLED, INSTALL THEM AT THIS TIME. BE SURE TO FOLLOW ALL INSTRUCTIONS PACKED WITH THE PRODUCT.

2. INSTALL LAVATORY

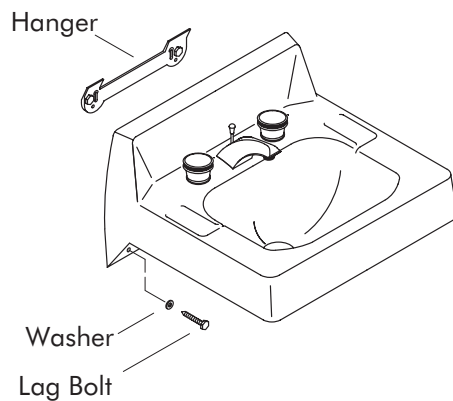
INSTALLATION WITH HANGER:

Temporarily position the lavatory on the hanger, and level. Use a pencil to mark the anchoring hole locations on the finished wall. Remove the lavatory.

Drill 1/4" pilot holes at the hole locating marks.

⚠ CAUTION: Risk of product damage. Do not overtighten hardware. Overtightening may cause damage to the product.

Position the lavatory on the hanger, and level. Use 3/8" lag bolts and washers (not provided) to secure the lavatory to the finished wall and backing material.

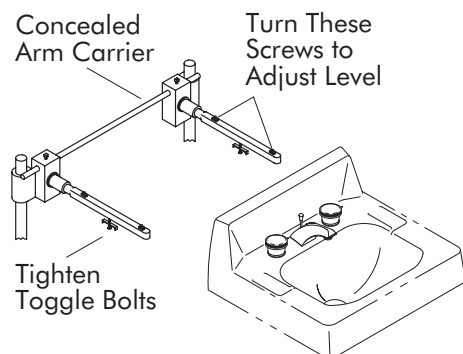


INSTALLATION WITH CONCEALED ARM CARRIER:

⚠ CAUTION: Risk of product damage. Do not overtighten hardware. Overtightening may cause damage to the product.

Slide the lavatory completely onto the carrier arms. Adjust the level of the lavatory by turning the front and rear carrier arm screws in or out as needed. The lavatory should not rock after it has been leveled.

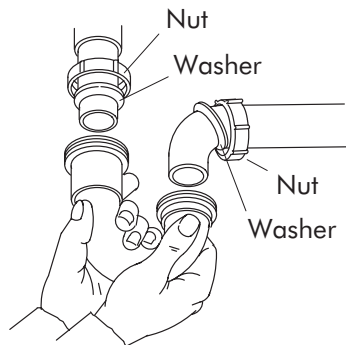
Carefully tighten the toggle screws until the lavatory is securely held in place.



3. INSTALLATION CHECKOUT

Connect and tighten the trap to the drain.

Connect the hot and cold water supplies to the faucet. Follow any instructions included with the faucet.



4. CLEAN-UP

DO NOT USE ABRASIVES on this product, as they will scratch and ruin the surface. Stubborn stains, paint, or tar can be removed with turpentine or paint thinner.

CALL US FOR HELP

Questions? Problems? For additional assistance in the USA, call our Customer Service Department for direct help. You may also contact us at our web site listed below.

1-800-4-KOHLER

THE BOLD LOOK
OF **KOHLER**
www.kohlerco.com