

Board-N-Batten Shutter Installation Instructions

For use on any surface including: wood, aluminum, vinyl, stucco, hardboard, brick, or masonry.

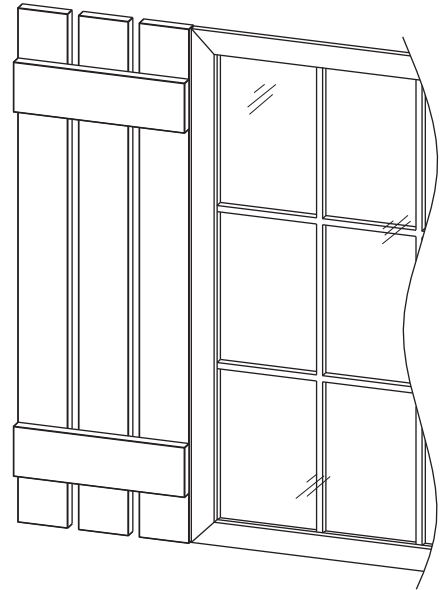
Required for Installation:

- Electric drill, 1/4" drill bit

Note: To prevent shutters from warping, proper installation must be followed.

Step 1

Place the shutter next to the window and mark the desired location against the wall or window. See figure at right.



Step 2

For sizes below 55" use four shutter loks per shutter. For larger sizes, 55" and over, use six shutter loks per shutter. See figures below for proper shutter lok placement and hole size.

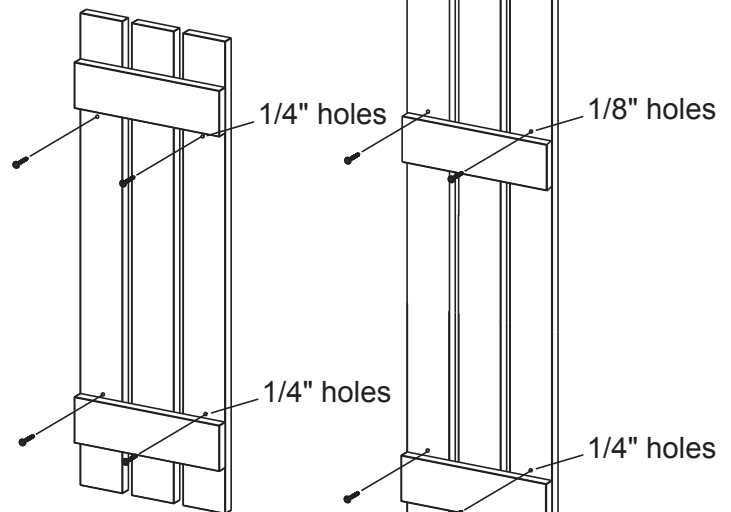
Step 3

Use the enclosed shutter loks to securely attach the shutter to the wall surface. Do not over drive the fasteners. The shutters need freedom to expand and contract with changing weather conditions.

Note: The above instructions use the 3 board shutter as an example. The same techniques will be used for shutters with more boards.



Arch Top Application



Four Shutter Loks Application For less than 55"

Six Shutter Loks Application For 55" or greater

I-0162
PC11428
9-10-13