

Barrette



Owner's Manual

Version

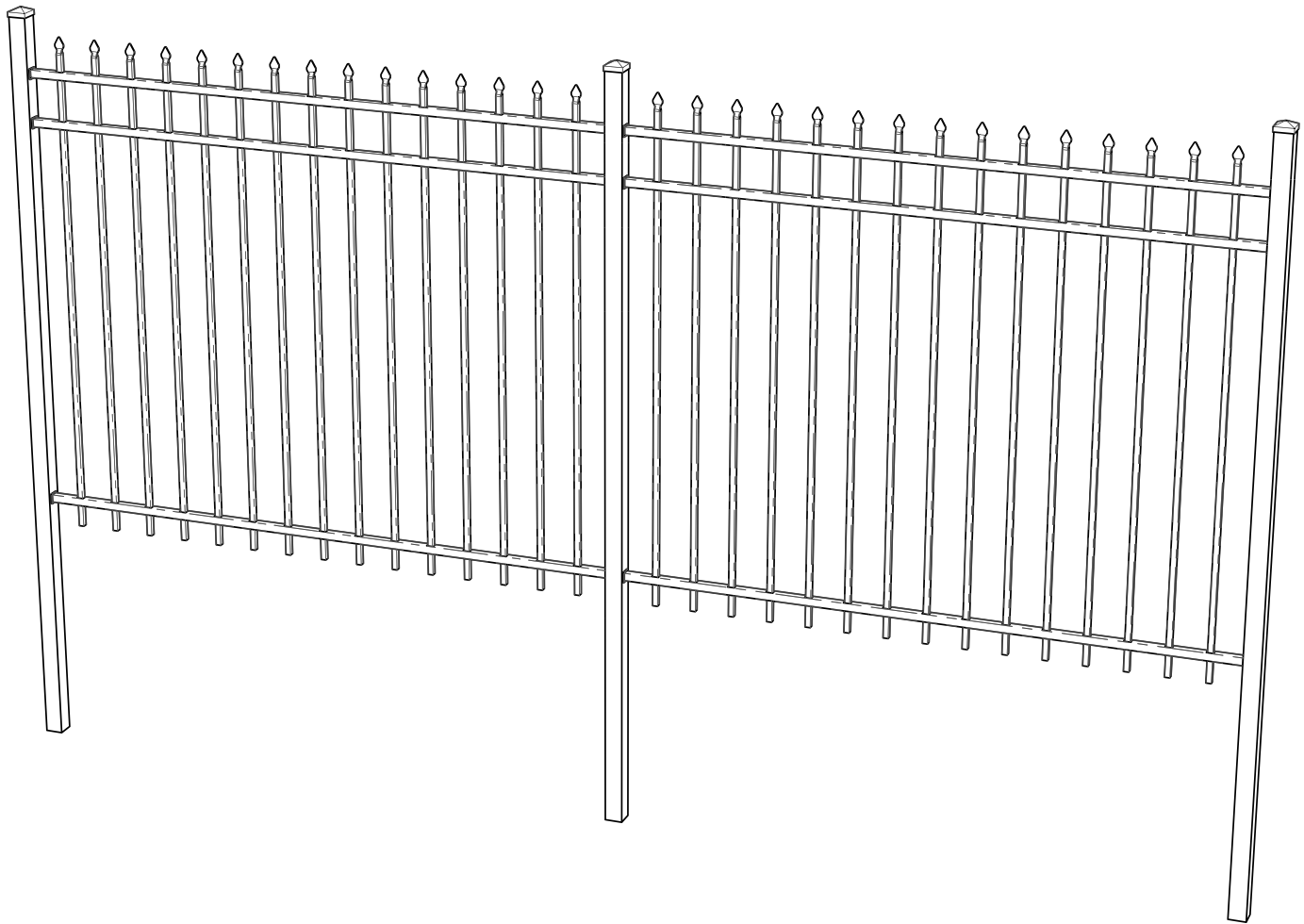
1.0

ALUMFENCEA_BOM V1 2/12

Aluminum Prebuilt Fence

Installation Instructions

For Home, Haven, Select & Premier Series



PLEASE READ OWNER'S MANUAL
COMPLETELY BEFORE ASSEMBLING
YOUR FENCE.

ALL STATED SIZES ARE NOMINAL DIMENSIONS.

Par Francis:
Par Espanol:

www.barretteoutdoorliving.com

Please read these instructions carefully before installing your Barrette fence. If you have any questions or issues installing the fence, please contact us at 1-800-336-2383 for assistance.

Before You Begin...

Check your local zoning laws.

- Local zoning laws and Home Owners Associations may regulate the location, style and height of your fence or even require a permit signoff beforehand.

Contact your local utilities companies.

- You must have the utility companies clearly mark your property for electrical, gas or water lines to avoid puncturing any unseen underground utilities.

Pay to mark your property line.

- Being proactive will save you time and money from any disputes from neighbors.

© 2012 Barrette Outdoor Living
7830 Freeway Circle
Middleburg Heights, Ohio 44130

Material Checklist:

- String
- Stakes
- Tape Measure
- Post Hole Digger
- Shovel
- Level
- Hacksaw
- Rubber Mallet
- Concrete Mix
- Peastone

ATTENTION: Before you assemble the fence:

PLEASE TAKE A COMPLETE INVENTORY OF ALL PARTS USING THE KIT CONTENTS.

DO NOT ATTEMPT TO ASSEMBLE THE FENCE IF PARTS ARE MISSING OR DAMAGED.

Please do not return the product to the store, for assistance or replacement parts call:

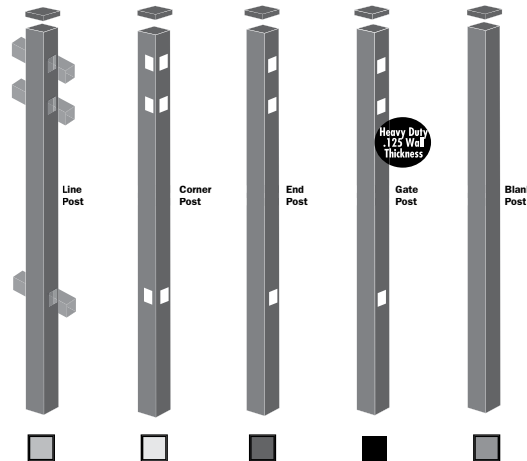
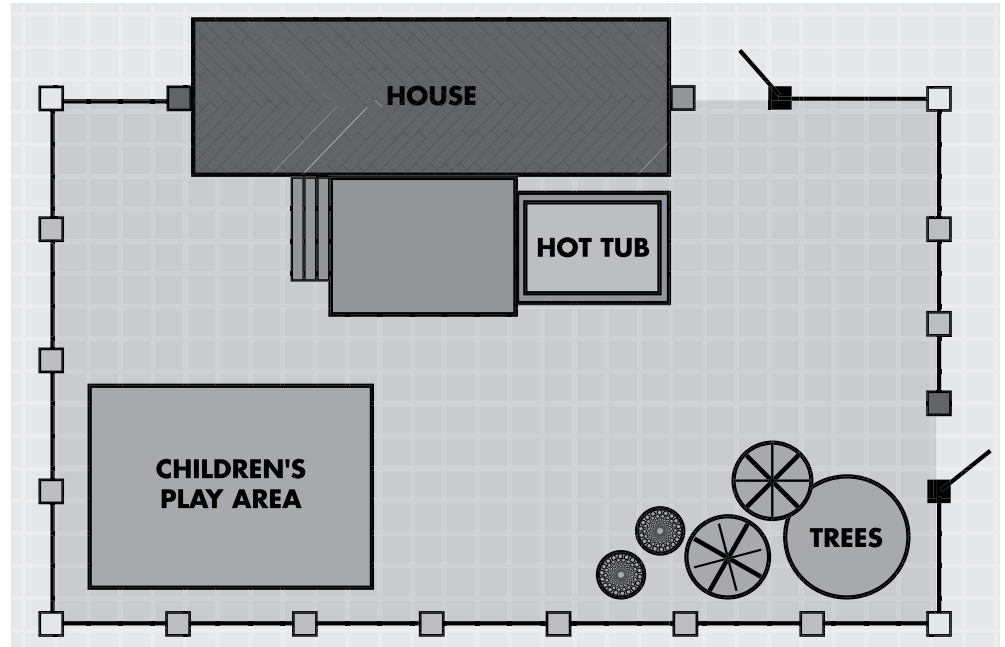
1-800-336-2383

Sketch Plan and confirm materials needs

- First, draw or sketch out your fence plan to paper. This drawing will help you estimate materials and plan location of corners and gates. Show the house, driveway, deck, and property lines. Then measure accurately with tape measure and identify those on your sketch.
- Layout should show fence lines and gate locations
- Determine number of sections and posts needed
- The opening left for gates should be the width of the gate ordered. A 48" walk gate opening should be left for a 48" gate (which is made at an actual width of 46.5" to fit a 48" opening)

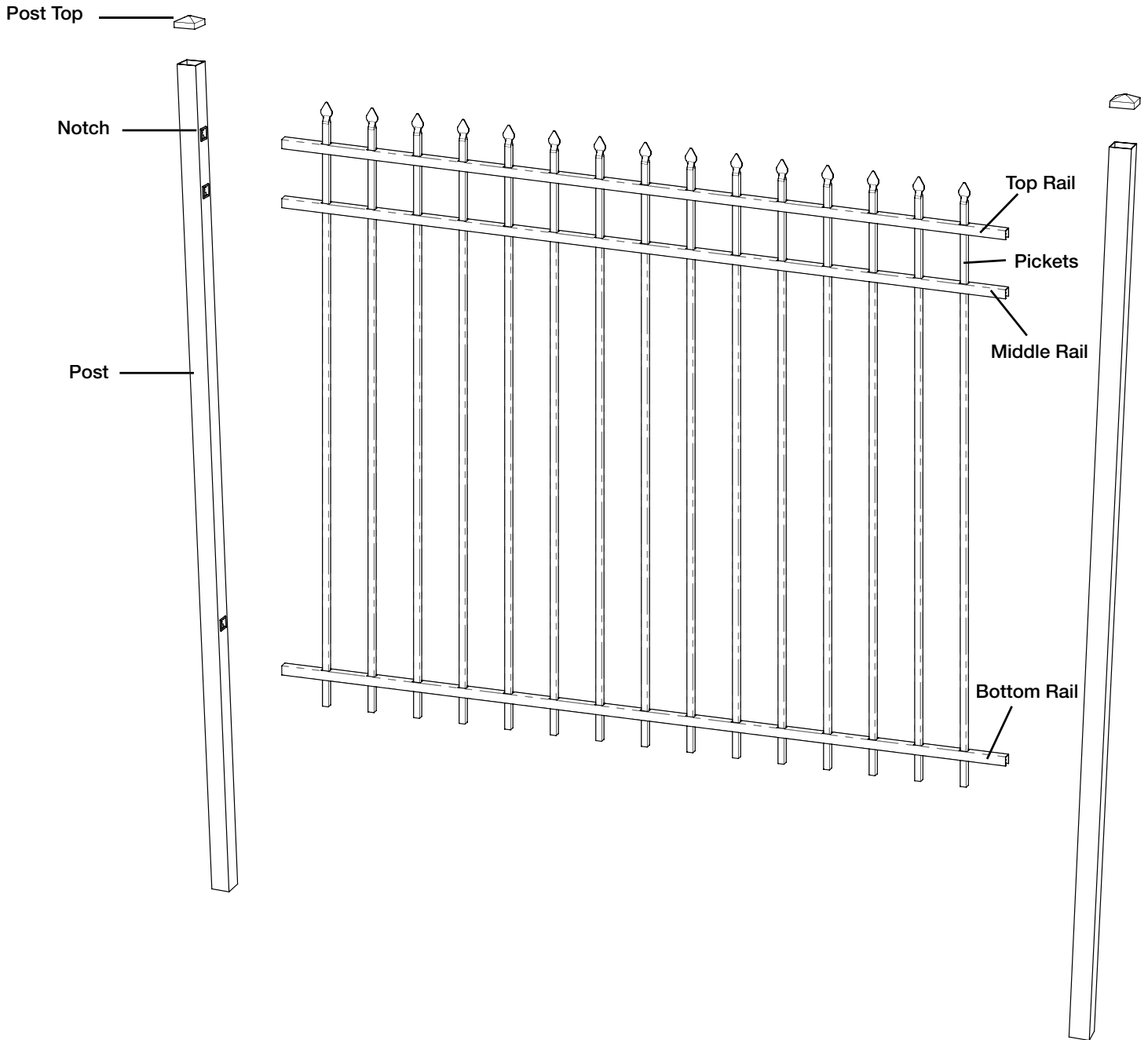
Installation Tips

- Gates need to be installed on level ground
- Gates and fence panels should be installed so that the bottom of the fence is 2" above ground level to allow for lawn maintenance/cutting.
- Once installed, the top of the post will be at the same height as the top of the tallest part of the fence panel.
- Separate and identify your posts. The rails from the fence panels will be inserted into the pre-punched holes of the posts.



- Line Post: Post with holes on two opposite sides to connect fence sections.
- Corner Post: Used to connect two sections of fence coming together at 90°.
- End Post: Used to end a line of fence. Only one section of fence will connect to an end post.
- Blank Post: Has no holes, and is used with a gate latch.
- Heavy Duty Gate Post: Features a heavier wall than all other posts to support the weight of the gate (attached with hinges). Similar to an end post, the HD Gate Post only has holes on one side.

Product Overview:



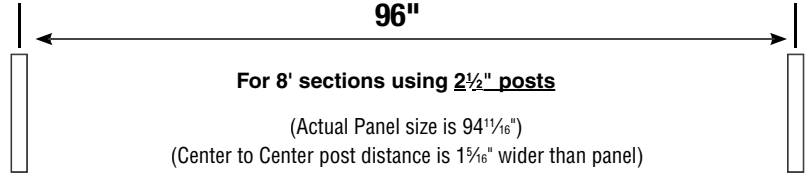
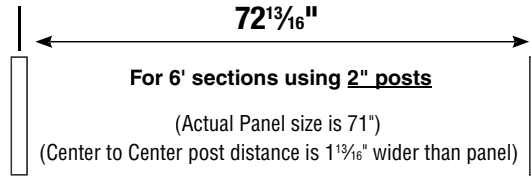
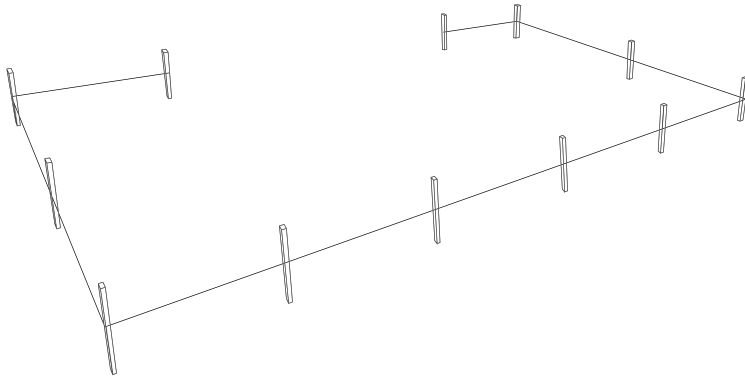
Layout installation

- Using the worksheet as a guide, establish your fence line by staking out the areas you wish to enclose. Locate each point in which you will need an end, corner or gate post and mark it with a stake.

- To mark all other posts: For 6' sections and using 2" posts: from the center of an end point, measure 72 13/16" and mark with stake. For 8' sections and using 2 1/2" posts: from the center of an end point, measure 96" and mark with stake.

NOTE: If you are left with a space less than a full panel, the panel can be cut down to fit the space by using a hacksaw. Notch the cut ends of the horizontal rails so they will seat inside of post. (See Illustration)

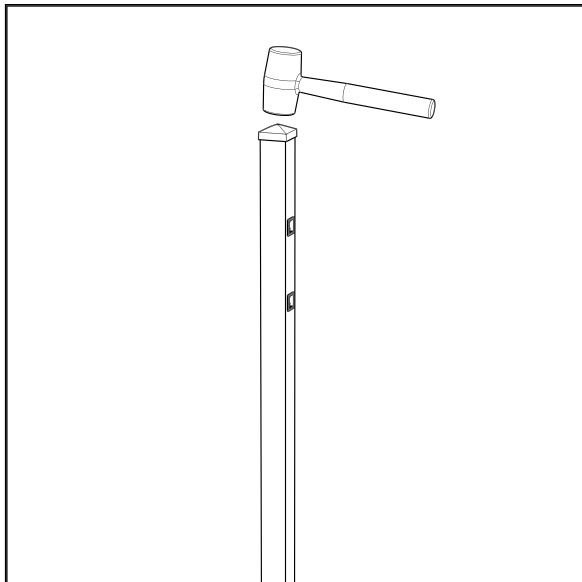
- Attach string to each stake.
NOTE: the fence will most likely need to be set back from the property line as required by your local codes (usually 2"-4")



Aluminum Fence Rail Notcher can be purchased separately

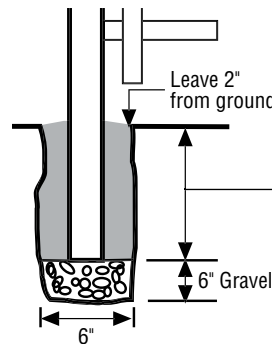
First Post Installation

- Use a rubber mallet to gently drive the post tops onto the posts. Be careful not to damage the post top.



- Mix the concrete on the dry side to allow the posts to set faster. See chart below to determine the minimum depth for your fence.

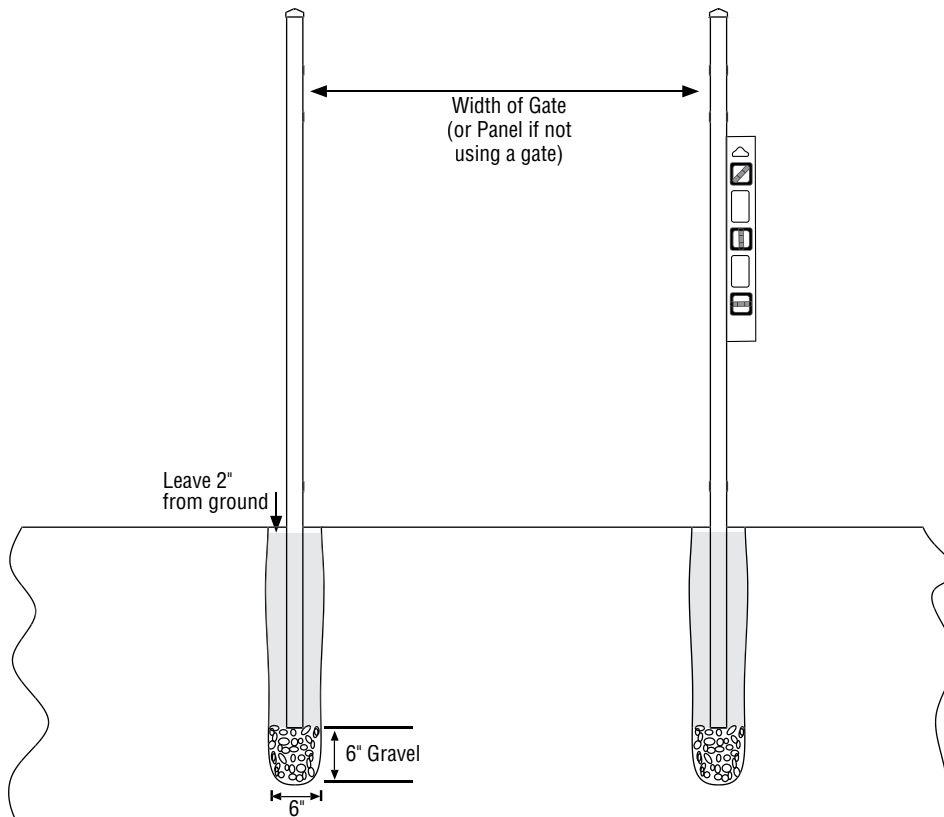
NOTE: In areas where ground frost occurs, the concrete footing should be extended below the frost line (generally 12" below). This will account for frost "heave, in which ground water freezes and expands upwards. By providing this 12" drainage you can keep the frost heave from affecting the posts. Verify depths meet all local building codes.



Panel Height	Post Height	Hole Depth	Post goes into ground
36"	58"	27"	21"
48"	70"	27"	21"
54"	82"	33"	27"
60"	88"	33"	27"
72"	106"	39"	33"

3 Start post installation with a gate, corner or end. Dig post holes to appropriate depth, approximately 6" wide. Fill bottom of hole with approximately 6" of peastone/gravel and place post onto gravel. Fill holes with concrete and tamp down around each post leaving concrete about 2" from ground level.

4 If using a gate, the opening between the posts should be $1\frac{1}{2}$ " wider than the gate width to allow for hinges. (Example: Use a 48" opening for a 46 $\frac{1}{2}$ " wide gate.) Be sure posts are level and plumb. Brace the posts as necessary while the concrete is setting.



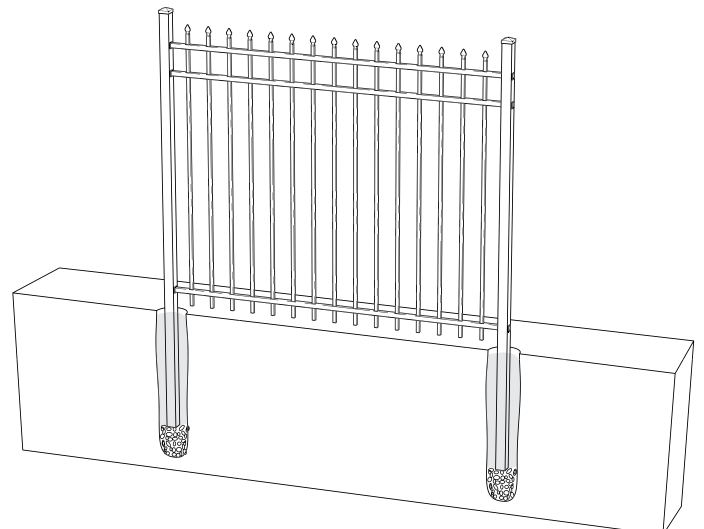
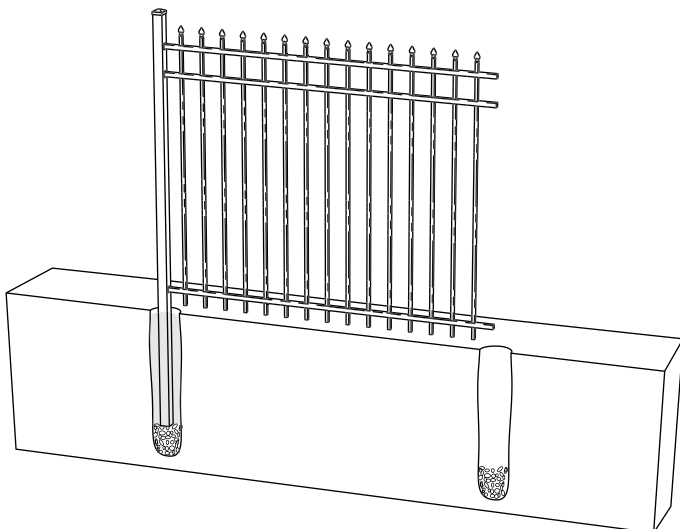
Panel / Post Installation

1 CAUTION: Do not install all posts first. Installation should proceed post-panel-post-panel...

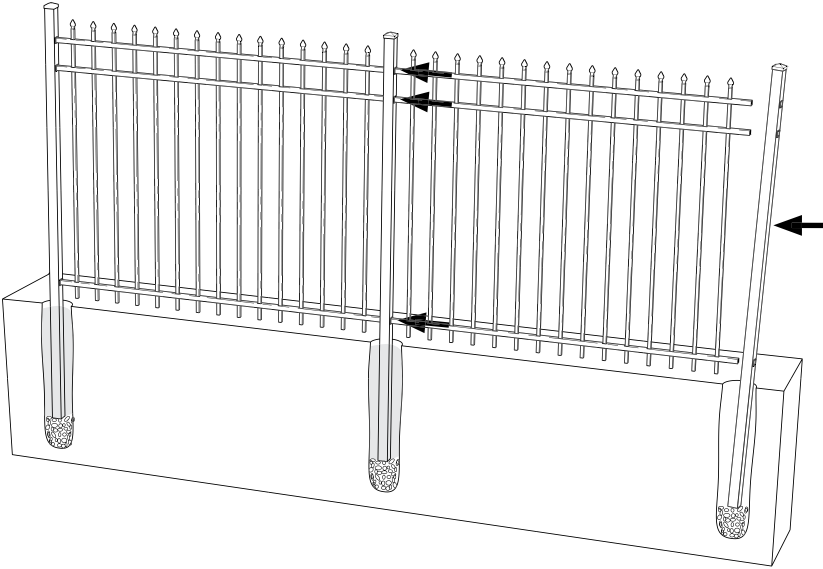
NOTE: It is a good idea to have the next post hole in the run already dug when attaching panel to the previous post (and have the 6" of gravel inside).

As the gate post (or corner) is setting up, install the first fence panel. Insert the horizontal rails from the panel into the punched holes from the previously installed post. Place the rails as far into the post as they will go.

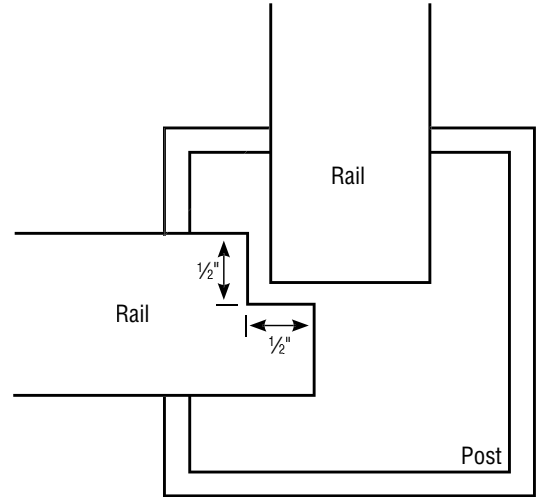
2 Place the next required post (line/corner/end) into the dug hole, and slide the post onto the rails of the panel as far as possible. Pour concrete around that post and tamp down, leaving concrete about 2" from ground level. You now have one fence panel between two installed posts.



3 Repeat by digging next hole and filling with 6" of gravel. Then insert the next panel into the previously installed post. Place the next post into the dug hole and slide the post onto the rails of the panel as far as possible. Pour concrete around that post and tamp down, leaving concrete about 2" from ground level. Repeat until end of line.

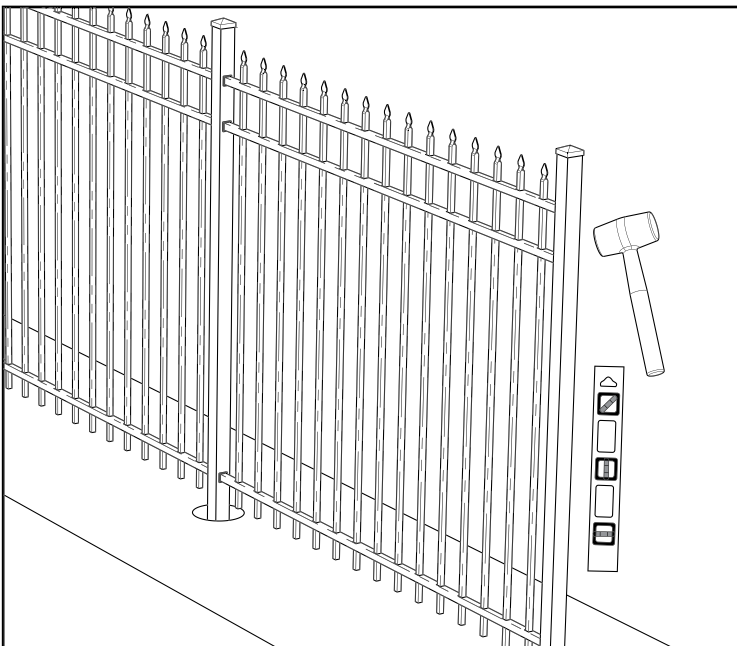


4 Corner posts require some additional handling on one of the fence panels. The rails of one panel need to be notched $\frac{1}{2}$ " to allow the rails to nest adequately within a corner installation.

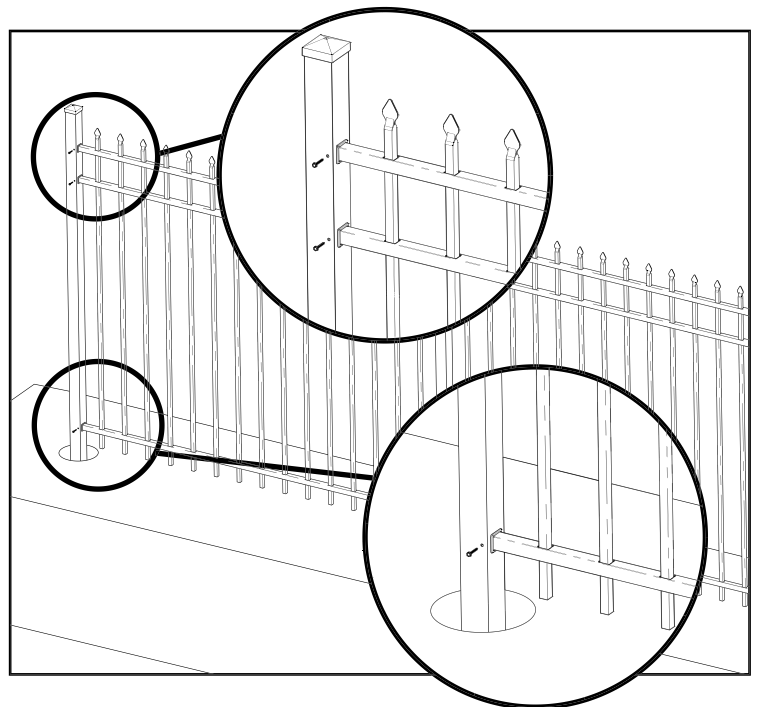


Top view of corner post

5 Once four or so panels are installed, check to make sure all posts and panels are still level. If a correction needs to be made, use a rubber mallet while the concrete is still somewhat soft.



6 After concrete has set, fasten the fence section to the posts using #8 x 1" self-tapping screws. Be careful not to over-tighten screws because screw heads may break off or strip out.



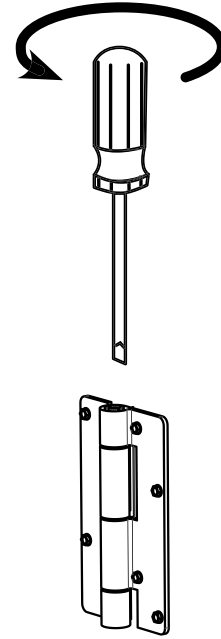
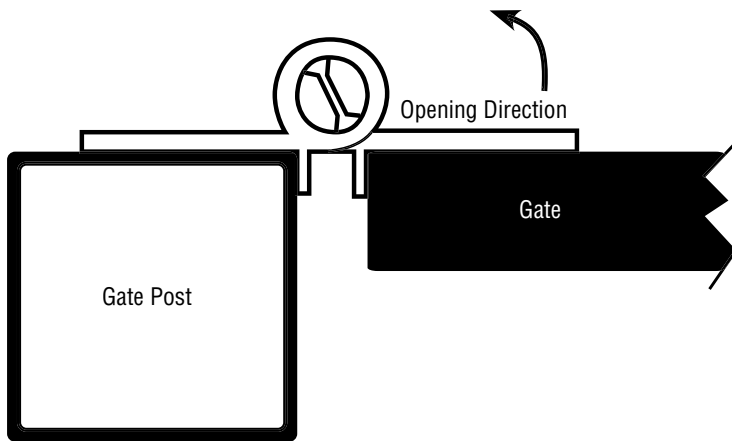
Gate Installation

- 1** Self closing hinges are included with all gates. Make sure hinges are set in the proper direction to accommodate either left or right handed gates or provide an inside or outside swinging gate. The post that will have the gate hinges screwed to it will be the (thick walled) "heavy-duty gate post".

- 2** Make sure the flange side of the hinge is the side the gate and post will be installed onto.

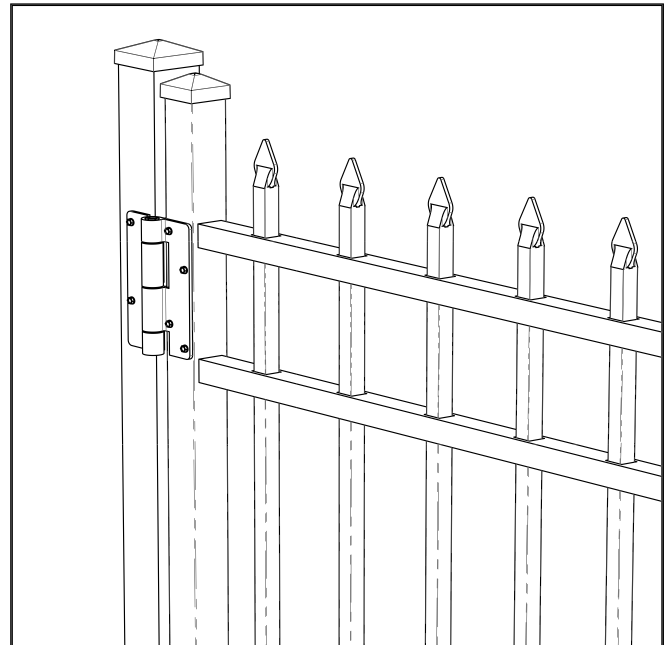
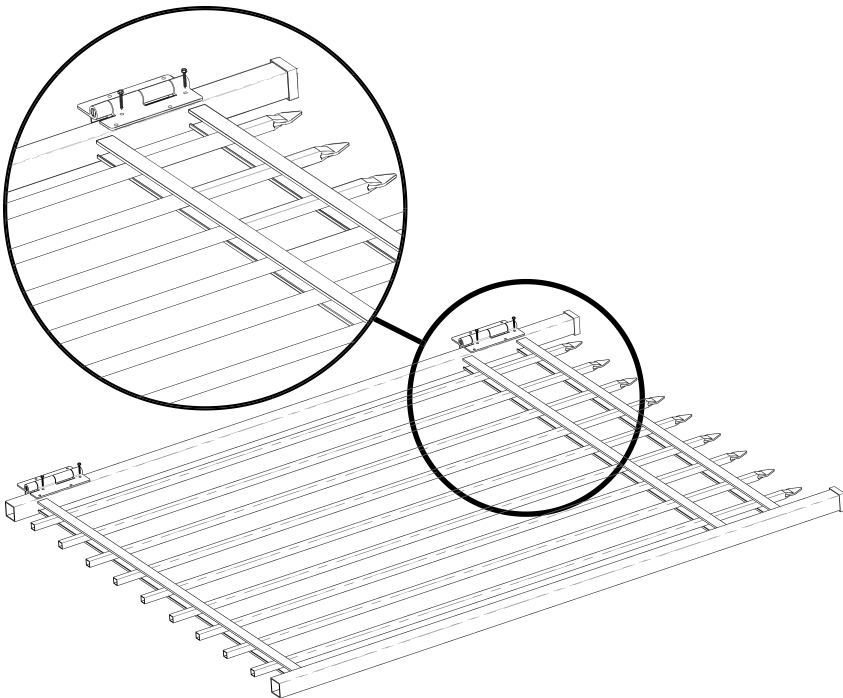
Release tension of hinges with a standard screwdriver prior to installing. Take a flathead screwdriver and push in the tension adjuster and turn 1/2 turn.

If the gate is not attached to fence sections on both sides, then it is advised to install the hinge on the side of the gate with the fence section attached.

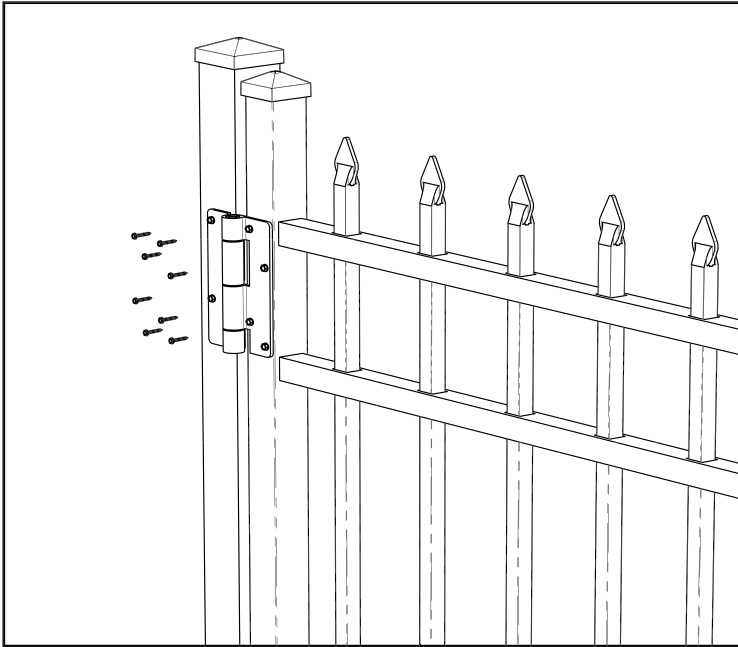


- 3** Once the concrete has completely set around the gate post(s) (may take 5-7 days), gates may be hung. Set the hinges on the gate. Line up the top of hinge with top of top gate rail. Line up bottom of bottom hinge with bottom of bottom gate rail. Drive two 1 1/4" self-tapping screws through upper hinge into gate (use the inside holes for this step). Repeat for bottom hinge.

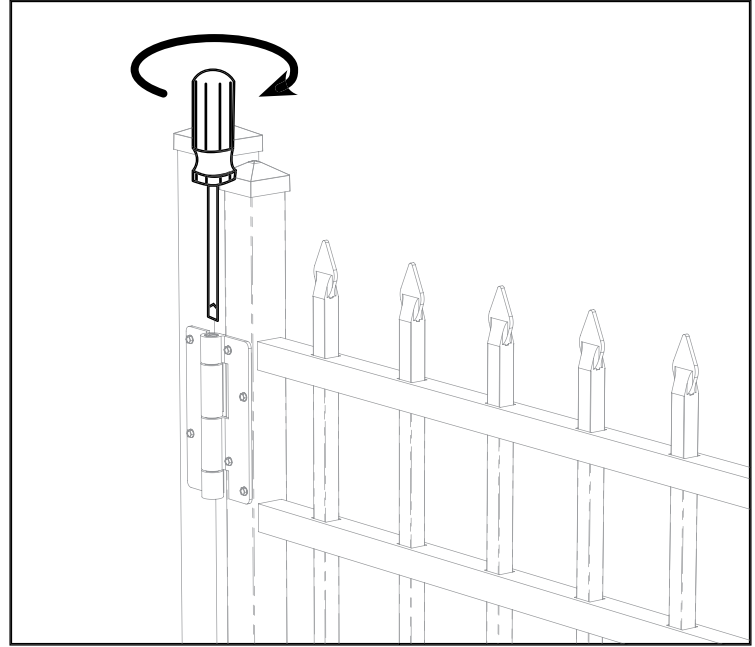
- 4** Hang gate to post. Make sure the horizontal rails of the gate are at the same level as the horizontal rails of the fence panels. Do this by either lifting gate by hand, or by inserting temporary spacer blocks under the gate to keep gate in place while mounting it to gate post.



5 Drive two 1¼" self-tapping screws through upper hinge into post (use the inside holes for this step). Repeat for bottom hinge. Screw additional eight screws into hinge.



6 Install latch per instructions (Varies by style). Re-tighten the spring tension of hinge to level started at (turn cam clockwise ½ turn).



Transferable Limited Lifetime Warranty

What is covered: Barrette Outdoor Living warrants vinyl and aluminum products to include vinyl fence, railing, plastic lattice, trellis, arbors and aluminum fence against defects or workmanship for as long as you own your home. Barrette Outdoor Living will at its option repair or replace the product in question with new product of the same or equivalent value at no charge. Barrette Outdoor Living warrants these products against fading, peeling, flaking, splintering, corroding, rusting or abnormal discoloration under normal use and service. This warranty extends to the original purchaser or transferee as specified herein.

What this warranty does not cover: This limited warranty does not cover damage resulting from accident, unreasonable use, neglect, alteration, improper service, improper installation, acts of God or any other causes not arising out of defects in materials or workmanship. Additionally, this warranty does not cover costs of installation, removal, reinstallation or surface mold and mildew created by excessive environmental conditions. Any service or repair provided outside the scope of this limited warranty shall be at Barrette Outdoor Living's rate and terms then in effect.

What do we do to correct the problems? Should your Barrette Outdoor Living product prove defective under warranty, reference the website or call the phone number listed below. Your problem will be assigned a tracking number and an authorized Barrette Outdoor Living representative will contact you to arrange a convenient time to schedule an onsite inspection, if need be. If after onsite inspection product is deemed to be manufacturer defect we will make arrangements to rectify the issue. You must have proof of your purchase in order for the problem to be corrected.

Transferee Coverage: Warranty coverage will be extended to transferees on the above listed products with the following limitations. Transferee must obtain an original or copy of the initial sales receipt (with proof of date) from the previous owner(s). Additionally, if fence is purchased from a builder or installer, documentation must be supplied that names the product installed on property and date of transfer.

THIS WARRANTY IS IN LIEU OF ALL CONDITIONS OR WARRANTIES, EXPRESS, OR IMPLIED INCLUDING BUT NOT LIMITED TO ANY IMPLIED CONDITIONS OR WARRANTIES OR MERCHANTABILITY OR FITNESS FOR A PARTICULAR PURPOSE ON THE PART OF Barrette OR ITS LICENSORS, SOME STATES DO NOT ALLOW THE EXCLUSIONS OF IMPLIED WARRANTIES OR LIMITATIONS OF HOW LONG AN IMPLIED WARRANTY LASTS, SO THE ABOVE LIMITATIONS MAY NOT APPLY TO YOU. IF THE PRODUCT IS DEFECTIVE PER THE ABOVE COVERAGES, YOUR SOLE AND EXCLUSIVE REMEDY SHALL BE REPAIR OR REPLACEMENT AS PROVIDED ABOVE. BARRETTE AND ITS LICENSORS SHALL NOT BE LIABLE FOR ANY DAMAGES, LOSS OF USE, LOSS OF PROFITS OR INTERRUPTION OF BUSINESS WHETHER SUCH ALLEGED DAMAGES ARE BASED IN WARRANTY, TORT, CONTRACT, OR INDEMNITY. SOME STATES DO NOT ALLOW THE EXCLUSION OF LIMITATIONS OF INCIDENTAL OR CONSEQUENTIAL DAMAGES, SO THE ABOVE LIMITATIONS MAY NOT APPLY TO YOU. THIS WARRANTY IS VALID ONLY IN THE UNITED STATES AND CANADA.

1-800-336-2383



Barrette Outdoor Living • 7830 Freeway Circle • Middleburg Heights, Ohio • 44130
<http://www.barretteoutdoorliving.com>