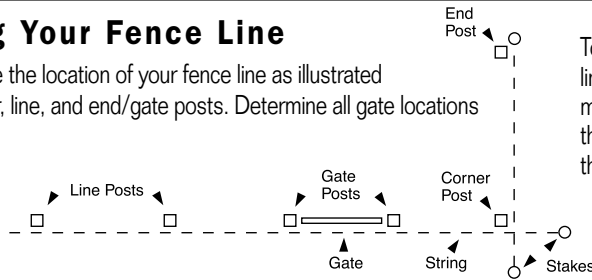


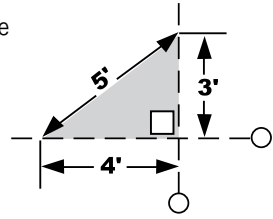
# Pre-Built Vinyl Fence Installation Instructions

## 1 Staking Your Fence Line

Pre-determine the location of your fence line as illustrated. Locate corner, line, and end/gate posts. Determine all gate locations.

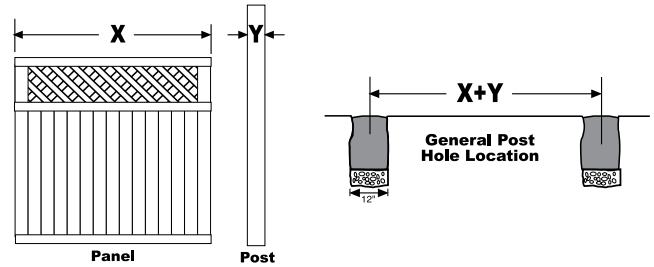


To square up corners of the fence line use the 3-4-5 right triangle method (measure 3' and 4' from the corner and the diagonal from those points should be 5')



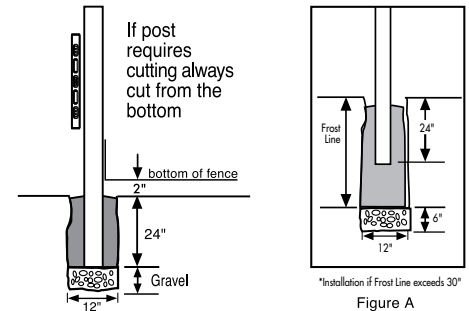
## 2 Locating Posts

Measure the width of the fence panel (X) plus 1/2" for brackets, add the width of the post (Y). This is the general on center measurement for post hole location. It is highly recommended to dig enough holes to install 3-4 sections of fence at a time to ensure proper post hole placement.



## 3 Standard Post Installation

- Dig post hole 12" in diameter 30" deep
  - Add 6" of gravel for post drainage
  - Insert post in center of post hole
  - Level and plumb post
  - Fill remainder of first hole with concrete according to manufacturers instructions
  - Recheck level and plumb. Always allow approximately 2" of ground clearance under panel
- Add concrete to next post hole after panel is installed
  - \*If frost line exceeds 30" (Figure A) Dig hole to the appropriate depth. Add 6" of gravel for post drainage. Add concrete until a depth of 24" remains. Follow above instructions from step (c)

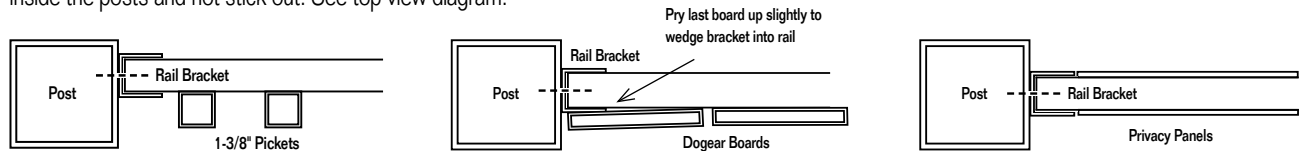


## 4 Rail Bracket Location

For correct bracket placement, measure down 2" from the top of the post, and make a mark. Then, measure from the top of the panel to the top of the first horizontal rail. Mark this measurement on the post for the first bracket placement. Next, measure the distance from the top of the top rail to the top of the next rail. This is the measurement for placement of the next bracket. Repeat for any additional rails.

### Offset Bracket Options:

On 1-3/8" pickets we recommend you offset the rail brackets. This will allow the panel to set inside the posts and not stick out. See top view diagram.



## 5 Installing Panel

- Set panel into the brackets on the first pre-set post (Figure 3)
- Place the next post (with brackets) in the hole on the opposite end of the panel without any concrete in the hole
- Ensure posts are against panel and secure all screws into the panel in the center of the bracket slots
- Level and plumb post
- Horizontally level panel
- Add concrete according to manufacturers instructions
- Continue installing all other panels using above instructions. The finished look shows the post top 2" above the fence panel. (Figure D)

