

# Vinyl Fencing Installation

**Pre-Built: Always check local building codes before starting your fence project**

**Please read all instructions before beginning**

## Post Location

Measure the width of the fence panel (X) plus 1/2" for brackets, add the width of the post (Y). This is the general on center measurement for post hole location. It is highly recommended to dig enough holes to install 3-4 sections of fence at a time to ensure proper post hole placement (Figure 3).

## Post Installation

- Dig post hole 12" in diameter 30" deep
  - Add 6" of gravel for post drainage
  - Insert post in center of post hole
  - Level and plumb post
  - Fill remainder of first hole with concrete according to manufacturers instructions
  - Recheck level and plumb Always allow approximately 2" of ground clearance under panel
- Add concrete to next post hole after panel is installed
  - \*If frost line exceeds 30" (Figure 1)
    - Dig hole to the appropriate depth
    - Add 6" of gravel for post drainage
    - Add concrete until a depth of 24" remains Follow above instructions from step (c)

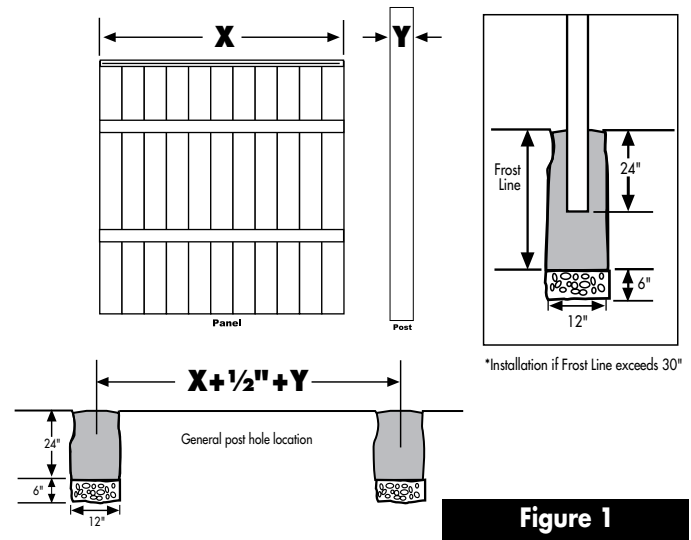
## Rail Bracket Location

Measure the distance from the bottom of the panel to the bottom of the lower horizontal rail (A) and add 2". This is the location of the bottom bracket.

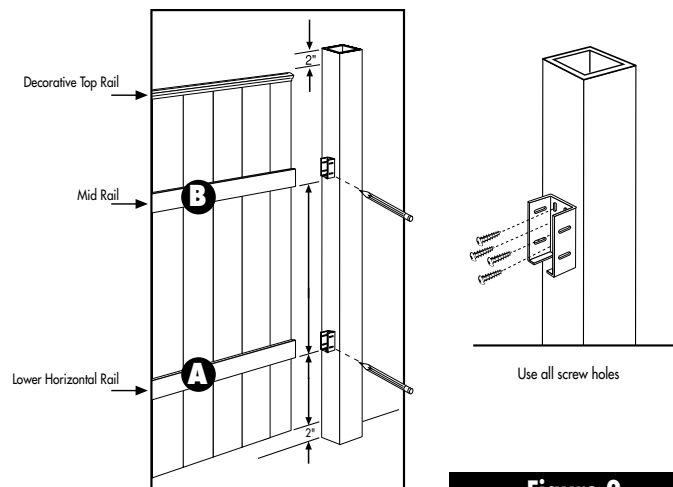
Measure from the bottom of the lower horizontal rail to the bottom of the mid rail (B). This is the location of the top bracket. There is no bracket for the decorative top rail.

## Panel Installation

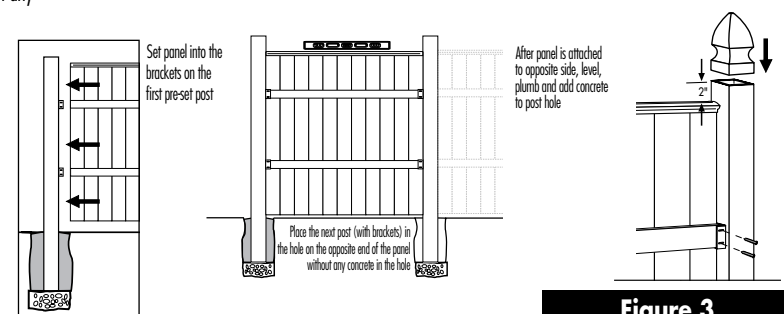
- Set panel into the brackets on the first pre-set post (Figure 3)
  - Place the next post (with brackets) in the hole on the opposite end of the panel without any concrete in the hole
  - Ensure posts are against panel and secure all screws into the panel in the center of the bracket slots
  - Level and plumb post
  - Horizontally level panel
  - Add concrete according to manufacturers instructions
  - Continue installing all other panels using above instructions
- The finished look shows the post top 2" above the fence panel.



**Figure 1**



**Figure 2**



**Figure 3**