



Somerset & New Castle Aluminum Rail & Stair Kit

INSTALLATION INSTRUCTIONS

PLEASE READ OWNER'S MANUAL COMPLETELY BEFORE INSTALLING

Owner's Manual

Version

1.0

To register your product, please visit: www.barretteoutdoorliving.com/product-registration

Tools Needed:

- Level
- Drill & bits
- Hacksaw or Chopsaw
- Tape Measure
- Pencil
- Clamps

Refer to www.BarretteOutdoorLiving.com for specific details about warranty limitations. 1-800-336-2383

Make sure your project meets local building codes before beginning installation

***2 Person Installation Recommended**

1 Closely Follow Post Installation Instructions before beginning

Cut rails to length. If installing full length (uncut) rails, skip to Step 2.

- Place rail across post opening leaving equivalent spacing from the last picket and post on each end (*Figure 1*).
- Mark rail flush with post (*Figure 2*).
- From marked line, mark additional parallel line 1/4" from first line, allowing for bracket clearance (*Figure 2*).
- Carefully cut the top and bottom rails with a saw (using a fine tooth carbide blade).



Figure 1

2 Cut two 3" tall temporary wood spacer blocks (not included) to insert under ends of railing sections to temporarily assist in aligning section (*Figure 3*).

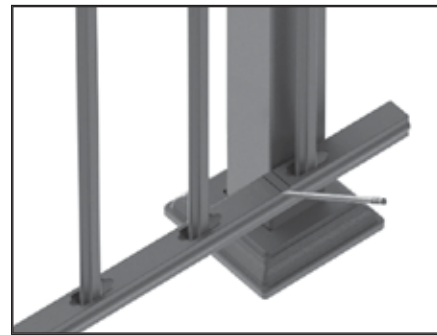


Figure 2

3 Slide top and bottom rail brackets on ends of pre-built rail sections (*Figures 4 & 5*).

4 Slide rail section and brackets between posts and on top of temporary wood spacer blocks. (Position wood spacer blocks next to installed aluminum posts) (*Figure 3*).

5 Using a 1/8" drill bit, carefully pre-drill all four bottom bracket screw holes on one post (*Figure 6*).

6 Install 3/4" screws (included) to attach bracket to post (*Figure 7*).

7 Repeat steps 5 & 6 for second bottom bracket.

8 Using a 1/8" drill bit, pre-drill all four top bracket screw holes on one post (*Figure 8*).

9 Install 3/4" screws (included) to attach bracket to post (*Figure 9*).

10 Repeat steps 8 & 9 for second top rail bracket.

11 Using a 1/8" drill bit, pre-drill all brackets (top and bottom) through side hole (*Figure 10*).

12 Install 3/4" screws (included) into side bracket holes to attach brackets to rails (*Figure 11*).

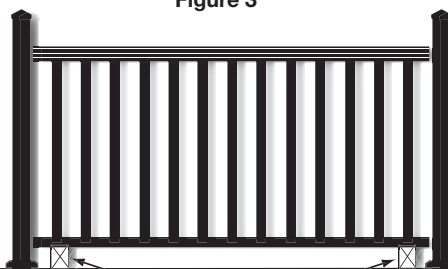


Figure 3

3" Temporary
Spacer Blocks

Figure 4

Figure 5

Figure 6

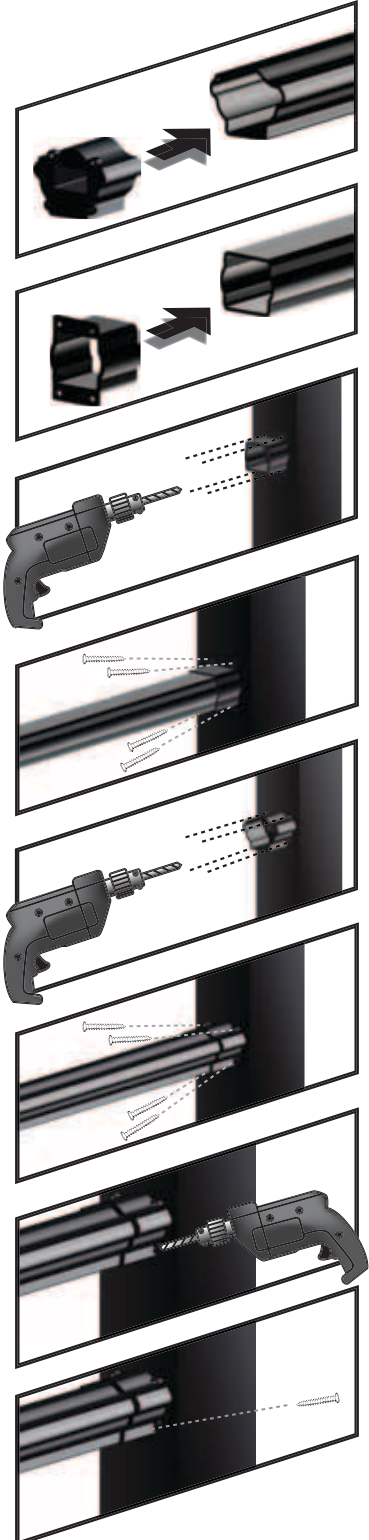
Figure 7

Figure 8

Figure 9

Figure 10

Figure 11



1 Align posts on bottom stair tread and top landing 1" back from edge, as shown. Follow post installation instructions closely (Figure 1).

2 Fold and position ("rack") the pre-built aluminum rail sections to desired angle of stairs. Clamp to installed rail posts (Figure 2). Make sure to have the same distance from inside of post to inside of first baluster on both top and bottom of the stair section.

3 Hold top angle bracket on post adjacent to rail, and mark rail at the end of the bracket. Repeat for other three stair rail brackets (Figure 3).

Cutting Stair Rail to Proper Length

4 Remove clamped stair kit from post.

5 Locate previous marked rails and add 1" to your pre-determined measurement (Figure 4).

6 Cut all four 1" marks at 90° (Figure 5).

7 Slide brackets on ends of rails (top and bottom) and slide section in-between posts.

8 Using 1/8" drill bit - pre drill bottom rail bracket to top stair post (Figure 6).

9 Attach bottom bracket to post with 3/4" screws (included).

10 Repeat for bottom stair post bottom rail bracket (Figure 7).

11 Using 1/8" drill bit - pre-drill top rail bracket to top stair post (Figure 8).

12 Attach top bracket to post with 3/4" screws (included).

13 Repeat for bottom stair post top rail bracket.

14 Using a 1/8" drill bit, pre-drill all brackets (top and bottom) through side hole (Figure 9).

15 Install 3/4" screws (included) into side bracket holes to attach brackets to rails.

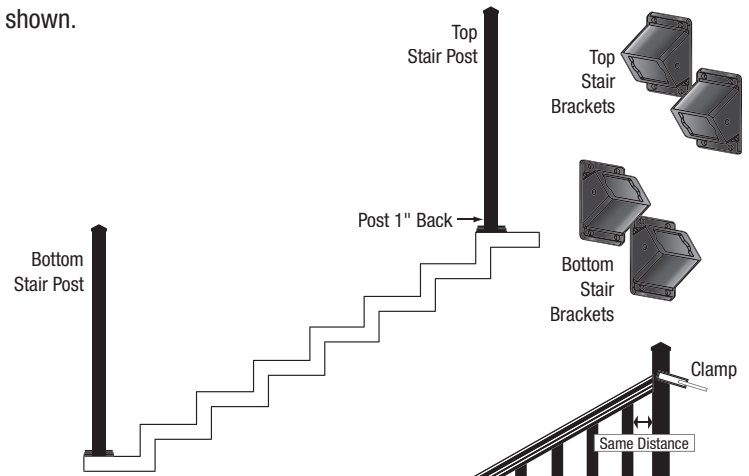


Figure 1

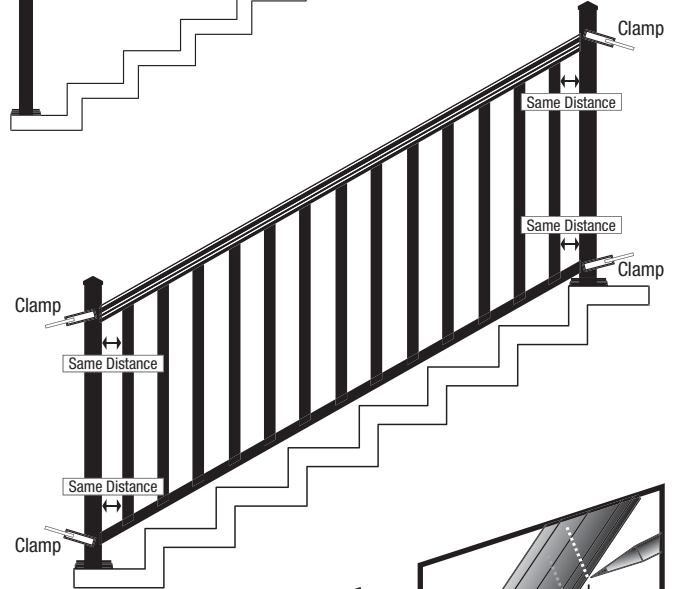


Figure 2

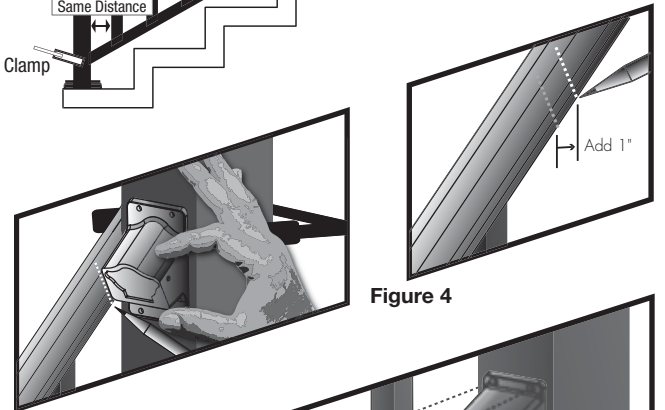


Figure 3

Figure 4

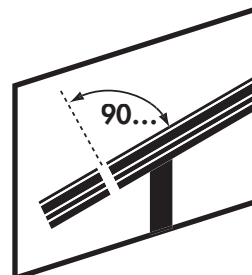


Figure 5

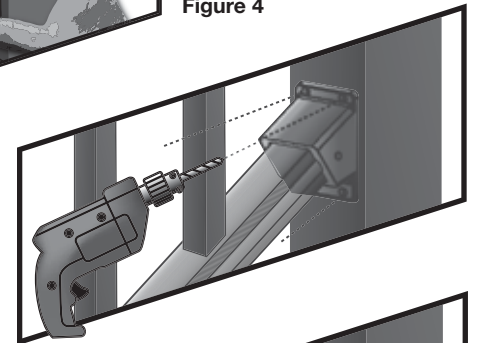


Figure 6

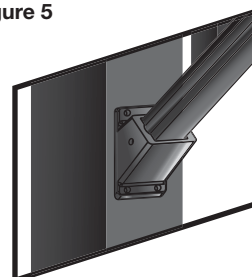


Figure 7

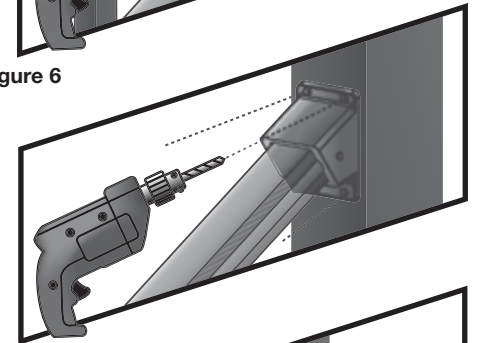


Figure 8

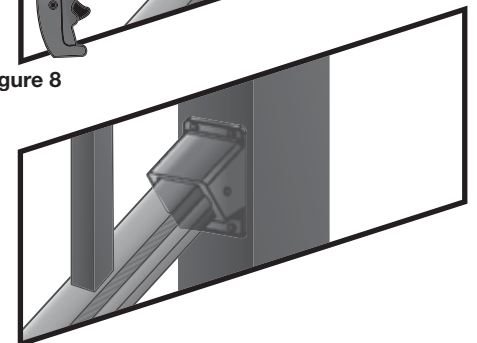


Figure 9