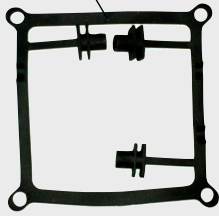


### Items Included:

25' Low-Voltage Wire (1)



Gasket (1)



Control Box (1)

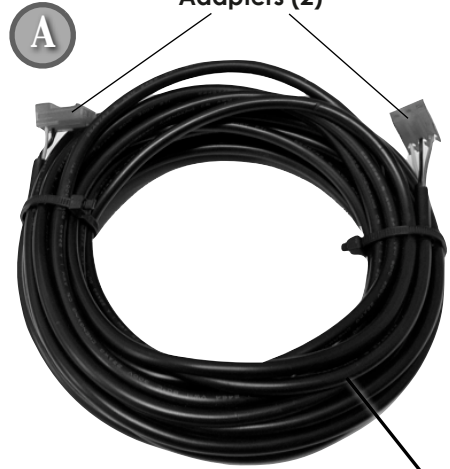


### TOOLS NEEDED

small Phillips head screwdriver



Adapters (2)



25' Wire

### 1 PRODUCT OVERVIEW / USES

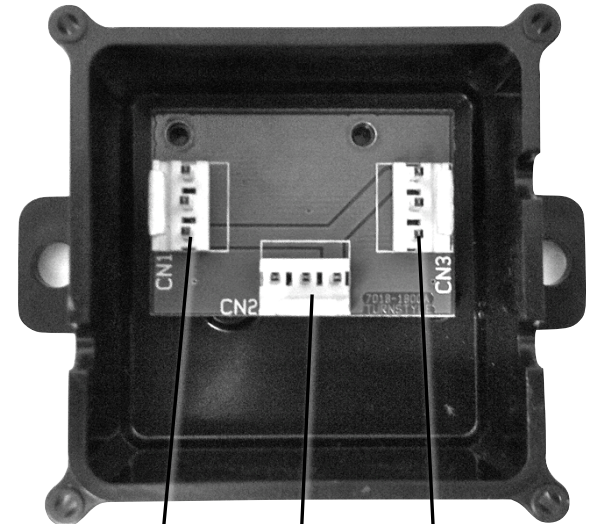
The Boerboel Low-Voltage Wire Kit can be used in the following applications:

1. Extend the length of wire used to power your Boerboel opener.
2. Connect additional accessories to your Boerboel opener including the Boerboel Push Button Opener Kit, Photo Eye Kits, Solar Panel Kits, etc.
3. Extend the length of wire used to connect Boerboel accessories.
4. Connect additional solar panels together for Boerboel installations using one or more solar panels.

### 2 PRODUCT IDENTIFICATION

The Boerboel Low-Voltage Wire Kit contains:

1. Twenty five feet of low-voltage wire with 3-prong adapters on both ends. See Figure A.
2. One control box containing a junction board with three 3-prong terminals labeled "CN1", "CN2" & "CN3". See Figure B.
3. One weatherproof sealing gasket. See above.



CN1

CN2

CN3

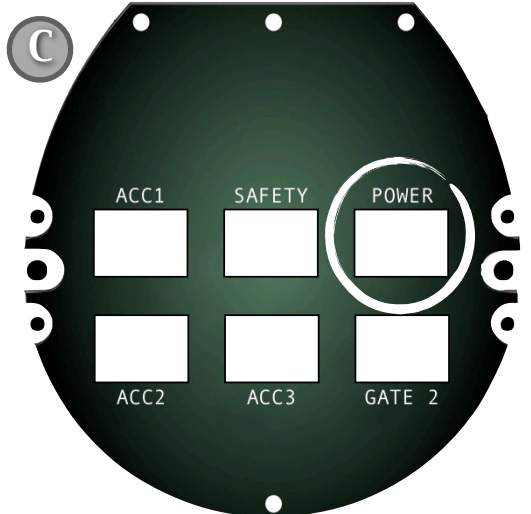
### 3 Extending the Boerboel Power Cord

The most common use of the Low-Voltage Wire Kit is to extend the length of wire used to power the Boerboel opener. The following steps will identify how to accomplish this procedure. **Instructions pertaining to the other uses of the Low-Voltage Wire Kit as listed above are explained in the installation manuals included with the associated Boerboel accessory kits.**

1. The 4-prong adapter on the original Power Cord included with your Boerboel opener remains connected to the "Power" port located inside the bottom electronics enclosure of the Boerboel opener. See Figure C for identification of the "Power" port.
2. The opposite end of the original Power Cord has a 3-prong adapter which connects to any of the three 3-prong ports located inside the Control Box which came with your Low-Voltage Wire Kit, labeled "CN1", "CN2" & "CN3" as identified in Figure B. \*Note: You will have to remove the four screws to remove the cover of the Control box.
3. The low-voltage wire, which came with this kit also connects to one of the three 3-prong ports located inside the Control Box.
4. The opposite end of the low-voltage wire then connects to the 3-prong adapter at the end of the Power Plug (See Figure D) which was supplied with your Boerboel opener.
5. Plug the Power Plug into any standard outlet and be sure to re-attach the cover of the Control Box using the four included screws.



Power Plug (Included with Boerboel opener - sold separately)



C

ACC1

SAFETY

POWER

ACC2

ACC3

GATE 2

4

**Daisy-Chaining Additional Accessories**

The Boerboel Low-Voltage Wire Kit can also be used to “daisy-chain” additional Boerboel accessories to your operator. The three ports located on the junction board inside the Control Box (“CN1”, “CN2” & “CN3”) are all universal and can be used to link multiple accessories at one time. Simply plug the 3-prong adapter running from your Boerboel accessory (i.e. Power Lock Kit, Exit Wand Kit, Push Button Opener Kit, etc) to any of the three ports inside the control box. Next, connect one end of the 25’ of Low-Voltage Wire (included in this kit) to one of the remaining ports and attach the opposite end to any of the available Accessory ports (“ACC1”, “ACC2” or “ACC3”) located at the bottom electronics access of your Boerboel opener. See Figure E for example.

*\*Note: Boerboel Photo Eye Kits should be connected by use of their own dedicated Low-Voltage Wire Kit. This same procedure can be used to connect one or two photo eye kits to one Boerboel Opener. Refer to the Boerboel Photo Eye Kit for further instructions.*

5

**Weather-Proofing The Control Box**

The Control Box of the Low-Voltage Wire Kit has three wire access holes. If any of these holes are left unused, you must plug them using the tabs attached to the Gasket in order to keep your Control Box weatherproof. See Figure F.

Proper placement of the Gasket is essential to keeping your Control Box weatherproof. Be sure to attach the cover of your Control Box with the four screw holes lining up with the screw holes of the gasket to create a proper seal. See Figure G.

*\*Note: When connecting any wire to the inside of the Control Box, make sure the black portion of the wire is snug in the wire access hole. If the colored wires are placed at the hole, then the Control Box will not be completely weatherproof. See Figure G.*

F

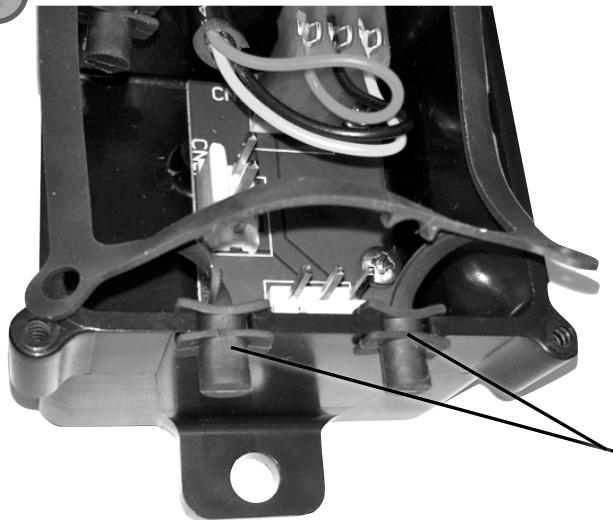


Figure F demonstrates proper plugging of any unused wire access holes.



Figure E demonstrates how to “daisy-chain” Boerboel accessories together using the Low-Voltage Wire Kit. *\*Note: Boerboel Exit Wand Kit & Bolt Lock Kit shown as accessory examples.*

G

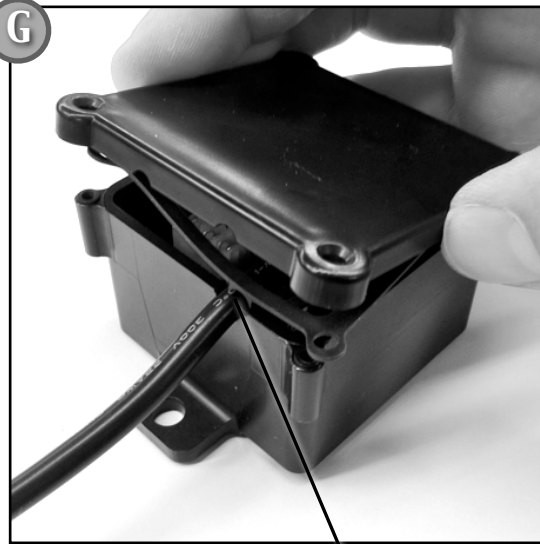


Figure G demonstrates proper placement of the wire when sealing the control box. (Be sure that the thin colored wires (red, black & yellow) attached to the adapter are not placed directly at the wire access hole).