



Vinyl Fence Framed Gate Kits

Assembly and Installation Instructions

34107034BOM V1 1/14

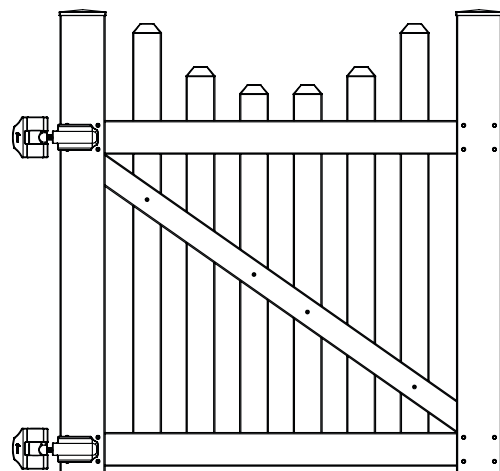
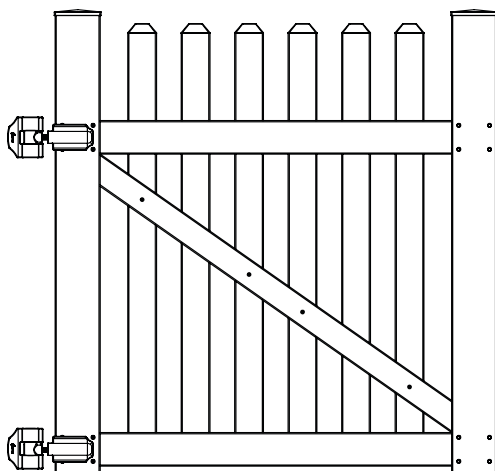
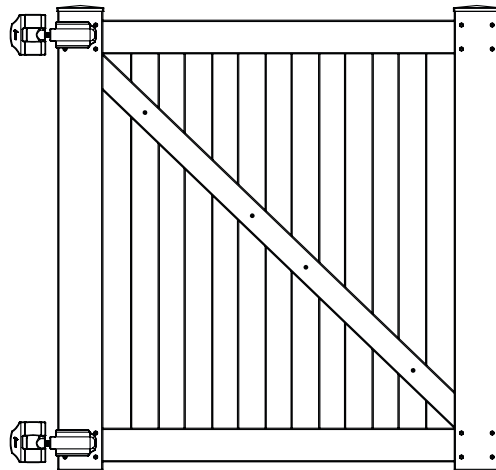
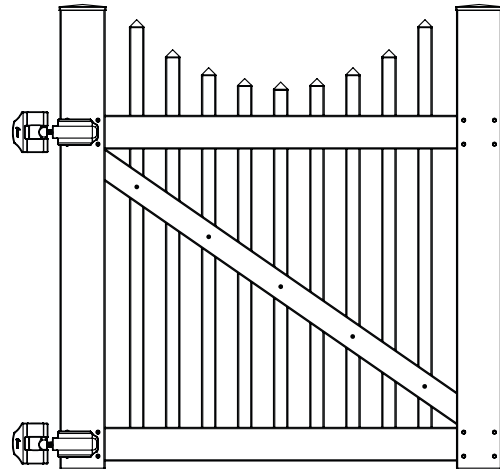
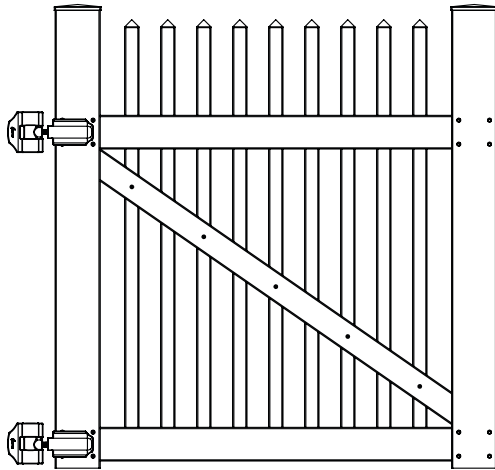
Owner's Manual

Version

1.0

PLEASE READ OWNER'S MANUAL COMPLETELY
BEFORE ASSEMBLING YOUR GATE.

Picket Gates



To register your product, please visit: www.barretteoutdoorliving.com/product-registration

Thank you for choosing the Barrette Outdoor Living Fence Gate. Please read the instructions completely before assembling your gate. Retain manual and your dated sales slip for future reference and warranty claims.

Before You Begin...

Check your local zoning laws.

- Local zoning laws and Home Owners Associations may regulate the location, style and height of your fence or even require a permit signoff beforehand.

Contact your local utilities companies.

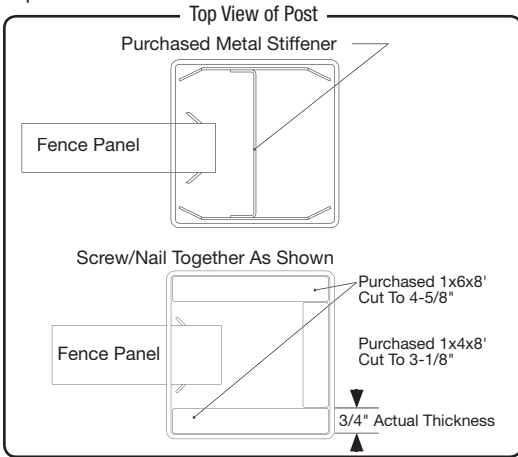
- You must have the utility companies clearly mark your property for electrical, gas or water lines to avoid puncturing any unseen underground utilities.



Pay to mark your property line.

- Being proactive will save you time and money from any disputes from neighbors.

Gate posts require an internal support system for weight-bearing purposes and therefore wooden inserts or a post stiffener is required.



Post Spacing will be determined by gate width and hardware.

Material Checklist:

- Phillips Head Screwdriver
- Tape Measure
- Safety Glasses
- Drill
- Vinyl Cement
- #2 Square Drive Bit
- Line Level
- Gate Hardware (Hinges/Latch)

ATTENTION: Before you assemble the gate:

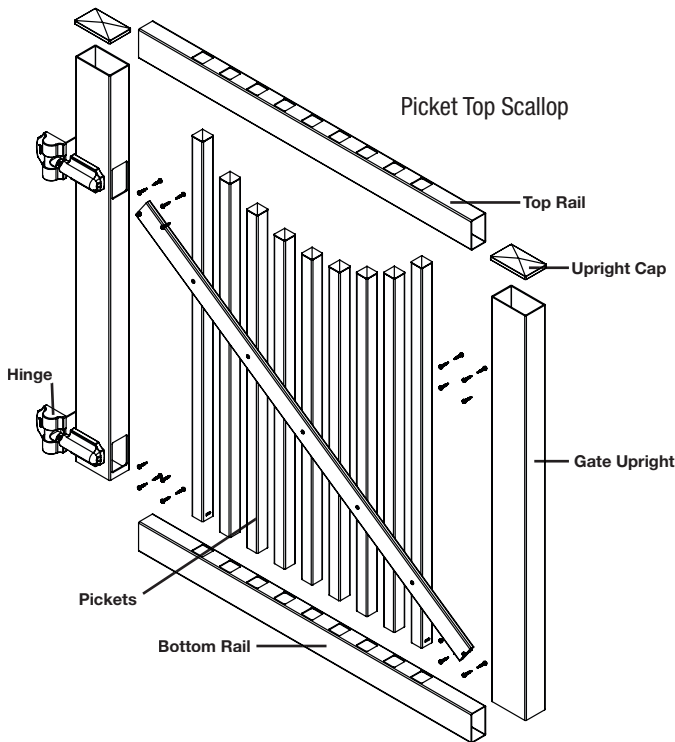
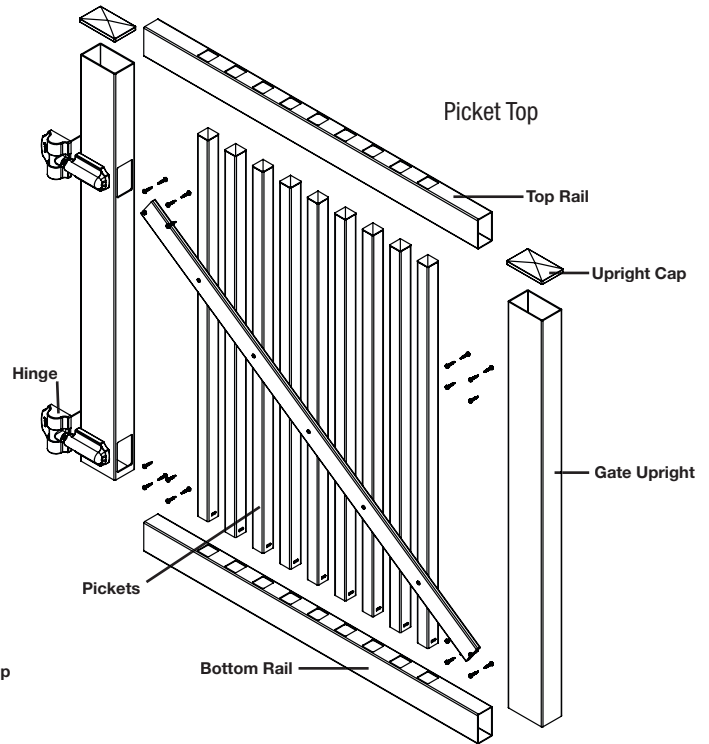
PLEASE TAKE A COMPLETE INVENTORY OF ALL PARTS USING THE KIT CONTENTS.

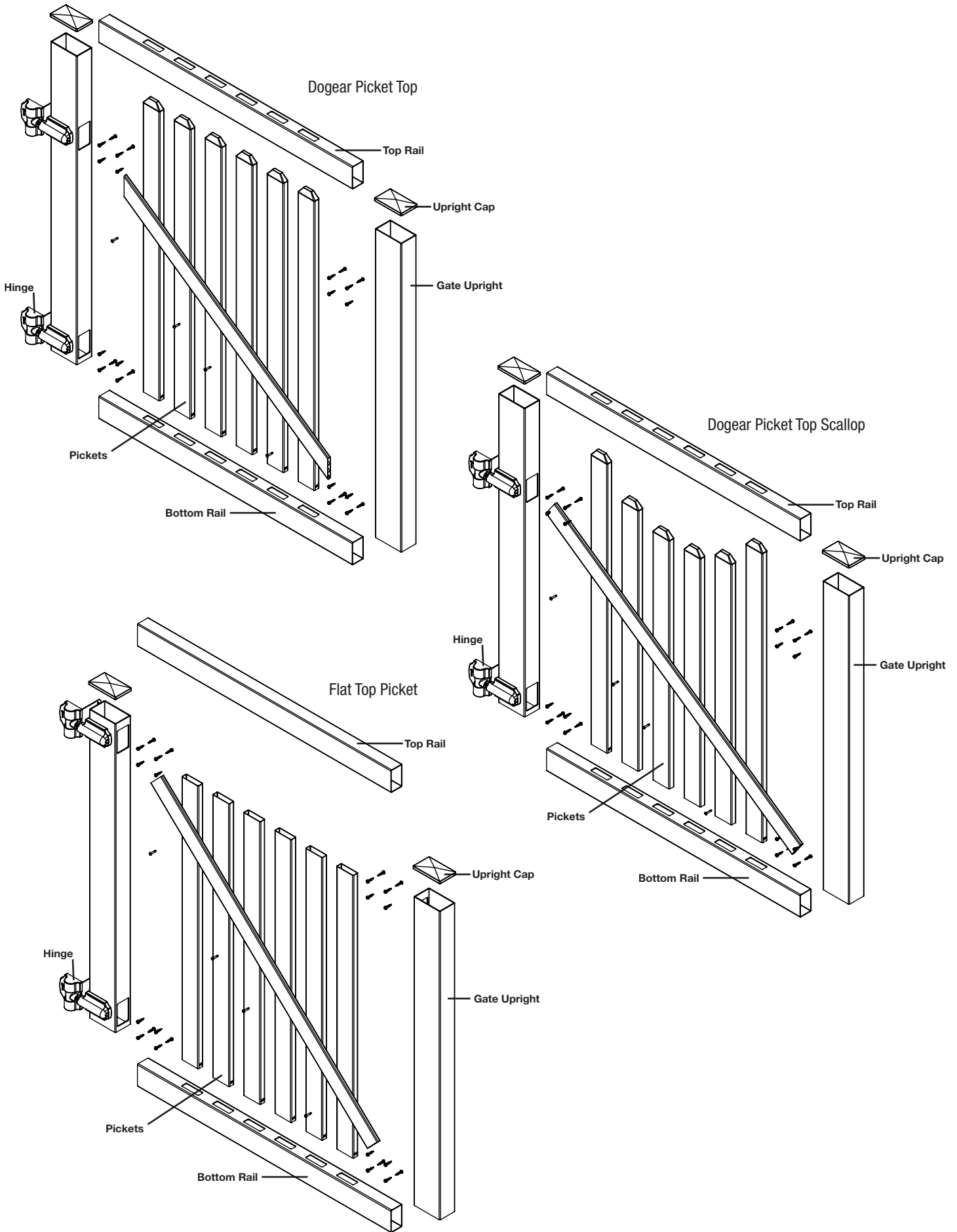
DO NOT ATTEMPT TO ASSEMBLE THE GATE IF PARTS ARE MISSING OR DAMAGED.

Please do not return the product to the store, for assistance or replacement parts call:

1-800-336-2383

Picket Gates

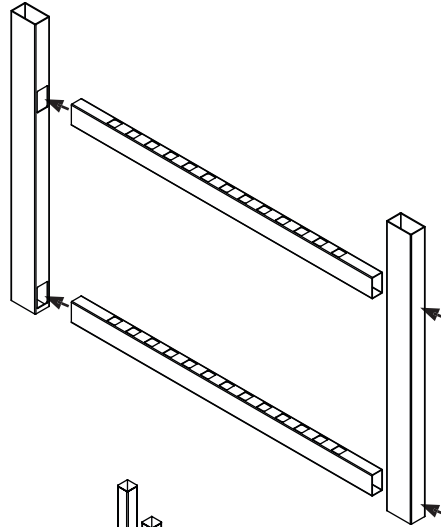




Installation

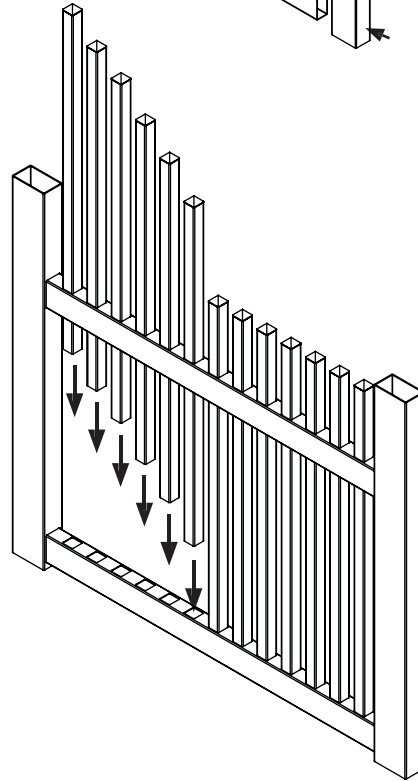
- 1.) For picket top gates:
Insert top and bottom rails into upright routes.

For flat top picket gates:
Insert bottom rail into gate uprights.

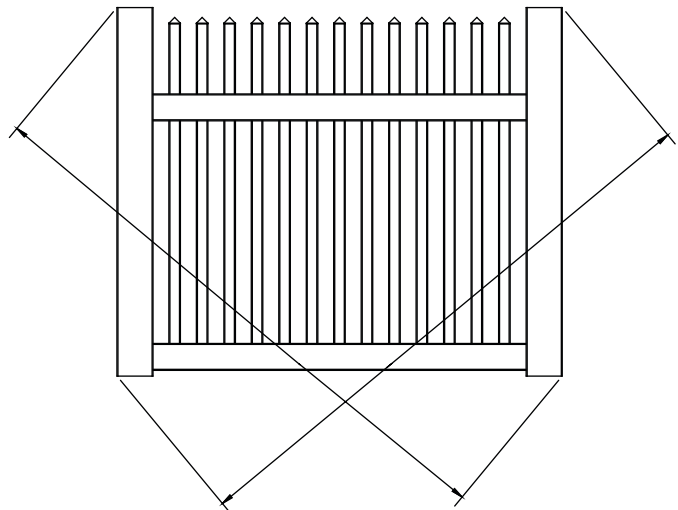


- 2.) For picket top gates:
Slide all pickets through top rail into bottom rail to complete gate assembly.

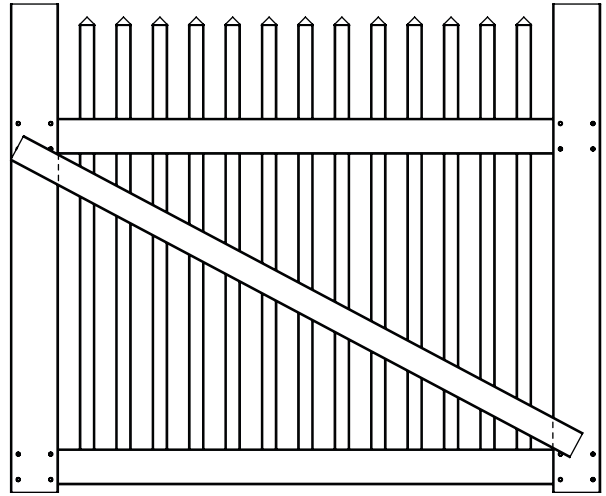
For flat top picket gates:
Insert pickets into bottom rail, slide top rail over pickets and insert top rail into gate uprights.



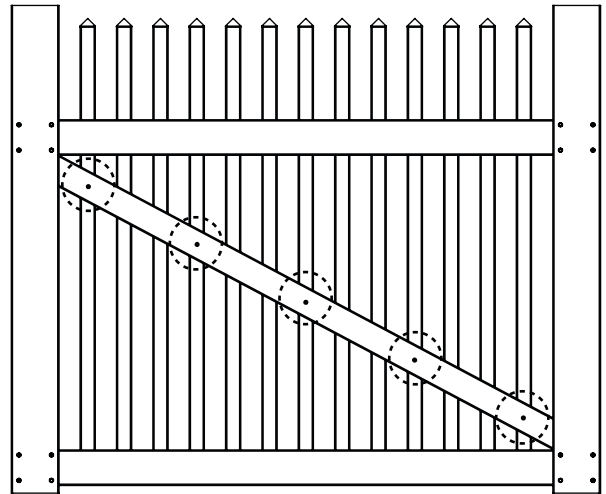
- 3.) Ensure gate is square. Measure from top left corner to bottom right corner and write down measurement. Measure from top right corner to bottom left corner and write down measurement. Make sure measurements are equal before installing screws into uprights.



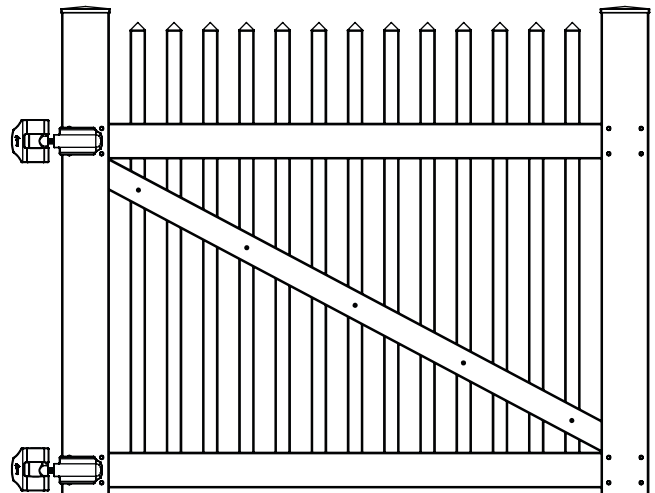
- 4.) Install hex head screws into intersection of rail and upright on both sides of gate. Four screws are installed in each location.
- 5.) Lay gate brace from top corner of one gate upright (under top rail) to bottom corner of opposite gate upright (above bottom rail).
- 6.) Mark the gate brace as shown and cut.



- 7.) Screw gate brace to pickets in 4 to 5 locations (depending on gate style) with square drive pan head screws.



- 8.) Attach upright caps, install hinges and hang gate according to hinge instructions.





Transferable Limited Lifetime Warranty

What is covered: Barrette Outdoor Living warrants vinyl and aluminum products to include; vinyl and aluminum fence, vinyl and aluminum railing and plastic lattice against defects or workmanship for as long as you own your home. Barrette Outdoor Living will at its option replace the product in question with new product of the same or equivalent value at no charge. Barrette Outdoor Living warrants these products against peeling, flaking, splintering, corrosion, rusting or abnormal discoloration under normal use. This warranty extends to the original purchaser or transferee as specified herein on the products noted above. Separate and distinct warranties for hardware and other products are not covered under this warranty.

What this warranty does not cover: This limited warranty does not cover damage resulting from accident, unreasonable use, neglect, alteration, improper service, improper installation, acts of God or any other causes not arising out of defects in materials or workmanship. Additionally, this warranty does not cover costs of installation, removal, reinstallation or surface mold and mildew created by excessive environmental conditions. Any service or repair provided outside the scope of this limited warranty shall be at Barrette Outdoor Living's rate and terms then in effect.

What do we do to correct the problems? Should your Barrette Outdoor Living product prove defective under warranty, reference the website or call the phone number listed below. Your problem will be assigned a tracking number and an authorized Barrette Outdoor Living representative will contact you to arrange a convenient time to schedule an onsite inspection, or request pictures, if need be. If after inspection product is deemed to be manufacturer defect we will make arrangements to rectify the issue. You must have proof of your purchase in order for the problem to be corrected.

Transferee Coverage: Warranty coverage will be extended to one transferee on the above listed products with the following limitations. Transferee must obtain an original or copy of the initial sales receipt (with proof of date) from the previous owner(s). Additionally, if fence is purchased from a builder or installer, documentation must be supplied that names the product installed on property and date of transfer.

Registration: To activate this warranty, the online registration card must be completed and returned to Barrette Outdoor Living within 30 days of installation.

Additionally, this Warranty does not cover damage associated with surface mold and mildew resulting from environmental conditions including air pollution, or any other causes not arising out of defects in materials or workmanship by Barrette Outdoor Living.

This Warranty does not cover costs of removal or disposal of product, or reinstallation of replacement product. Any service provided outside the scope of this limited Warranty shall be at Barrette Outdoor Living's standard rate and terms then in effect.

Barrette Outdoor Living reserves the right to discontinue or modify any of its products, including the color of its products, without notice to the homeowner/consumer, and Barrette Outdoor Living does not warrant that any replacement material will match or be identical to the original product as replacement products may vary in color or gloss in comparison to the original product as a result of normal weathering. If Barrette Outdoor Living replaces any material under this Warranty, it may substitute products designated by Barrette Outdoor Living to be of comparable quality or price range in the event the product initially installed has been discontinued or modified.

THIS WARRANTY IS IN LIEU OF ALL CONDITIONS OR WARRANTIES, EXPRESS, OR IMPLIED INCLUDING BUT NOT LIMITED TO ANY IMPLIED CONDITIONS OR WARRANTIES OR MERCHANTABILITY OR FITNESS FOR A PARTICULAR PURPOSE ON THE PART OF Barrette OR ITS LICENSORS, SOME STATES DO NOT ALLOW THE EXCLUSIONS OF IMPLIED WARRANTIES OR LIMITATIONS OF HOW LONG AN IMPLIED WARRANTY LASTS, SO THE ABOVE LIMITATIONS MAY NOT APPLY TO YOU. IF THE PRODUCT IS DEFECTIVE PER THE ABOVE COVERAGES, YOUR SOLE AND EXCLUSIVE REMEDY SHALL BE REPAIR OR REPLACEMENT AS PROVIDED ABOVE. BARRETTE AND ITS LICENSORS SHALL NOT BE LIABLE FOR ANY DAMAGES, LOSS OF USE, LOSS OF PROFITS OR INTERRUPTION OF BUSINESS WHETHER SUCH ALLEGED DAMAGES ARE BASED IN WARRANTY, TORT, CONTRACT, OR INDEMNITY. SOME STATES DO NOT ALLOW THE EXCLUSION OF LIMITATIONS OF INCIDENTAL OR CONSEQUENTIAL DAMAGES, SO THE ABOVE LIMITATIONS MAY NOT APPLY TO YOU. This warranty is valid only in the United States and Canada.

For any specific questions about the Barrette Outdoor Living Warranty or to make a warranty claim please contact Barrette Outdoor Living by visiting our website www.barretteoutdoorliving.com, emailing or calling 1-800-336-2383.

Begin your warranty coverage and register your Barrette Outdoor Living product at
www.BarretteOutdoorLiving.com