



LWSAFGATE

# Aluminum Fence Gate

INSTALLATION INSTRUCTIONS



Read all instructions prior to installing product.

Refer to manufacturers safety instructions when operating any tools.

To register your product, please visit: [barretteoutdoorliving.com](http://barretteoutdoorliving.com)

**⚠ WARNING:**

- Improper installation of this product can result in personal injury. Always wear safety goggles when cutting, drilling and assembling the product.
- Incorrect installation may cause harm to the product or individual.

**NOTICE:**

- DO NOT attempt to assemble the kit if parts are missing or damaged.
- DO NOT return the product to the store. For assistance or replacement parts call: 1-800-336-2383.

**BEFORE YOU BEGIN:**

Check your local zoning laws.

- Local zoning laws and Home Owners Associations may regulate the location, style and height of your fence and gate or even require a permit signoff beforehand.
- Check local codes for frost line depth and regulations.
- Additional products and assembly may be required to meet wind code requirements. Notice of acceptance (NOA) can be found at [www.miamidade.gov/building/pc-search\\_app.asp](http://www.miamidade.gov/building/pc-search_app.asp)

Contact your local utilities companies.

- You must have the utility companies clearly mark your property for electrical, gas or water lines to avoid puncturing any unseen underground utilities.

**TOOLS NEEDED:**

	Boerboel® Hardware
	Safety Glasses
	Level
	Tape Measure
	Drill
	3/32" Drill Bit
	Pencil
	2" Spacer Blocks

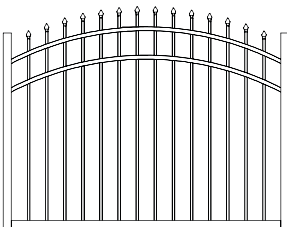
**INSTALLATION TIPS:**

- When installing gate hardware onto gate, it needs to be on level ground
- Review enclosed Boerboel® butterfly hinge instructions before installation
- For measuring, note that gates 6' or larger come with 2" U-frame construction

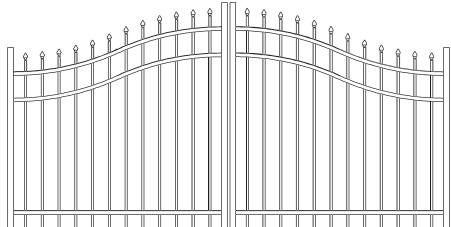
**HOW TO MEASURE:**

When measuring for your drive gate, make sure to leave enough space for all gate hardware, including hinges, gate latch and drop rod. When using Boerboel® hardware, leave 1" clearance for all hinges and 1" clearance for a drop rod. Refer to specific hardware instructions for space requirements.

Walk Gate



Drive Gate

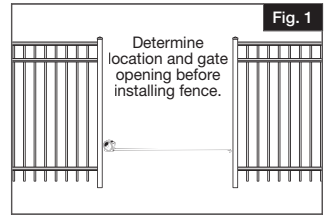


# 1.

## Determine Gate Opening:

Refer back to "How to Measure"

Gate opening is determined by width of gate plus clearance for hinge, latch, and drop rod (sold separately); refer to latch and drop rod installation instructions for specific space requirements (Fig. 1).

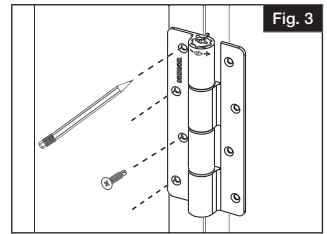
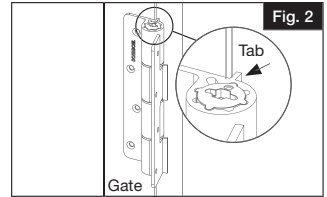


# 2.

## Mount Hinges on Gates:

For best results, work on a clean, flat, stable surface when mounting hinges to gates.

- Place hinges at desired position on each gate with a minimum spacing or 32" between each hinge. Tabs on hinges must rest firmly against gate upright or U-frame (Fig. 2).
- Mark pilot holes through screw holes on hinge then pre-drill using  $\frac{3}{32}$ " bit (Fig. 3).
- Secure hinges to each gate with included 1" screws (Fig. 3).

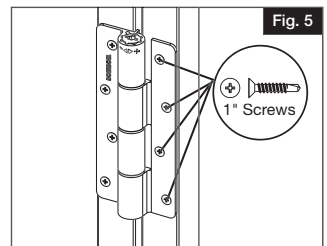
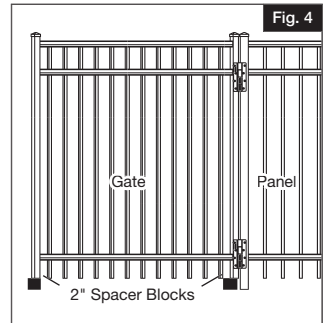


# 3.

## Mount Gate to Post:

**NOTE:**

- Gate posts must be plumb prior to gate installation. Posts must also have set for at least 24 hours in concrete prior to any gate installation.
  - Cut two (2) 2" spacer blocks to help support each gate during installation.
- Set gate on spacer blocks and hold it up to the gate post. Tabs on hinges must rest firmly against gate post (Fig. 4)
  - Mark pilot holes on the post, through the screw holes in the hinges.
  - Remove gate and pre-drill  $\frac{3}{32}$ " pilot holes.
  - Re-position gate on post and secure hinges with 1" included screws (Fig. 5).
  - Repeat for additional gate(s).



# 4.

## Hinge Tension Adjustment

### NOTE:

HINGE TENSION IS PRE-SET AT THE FACTORY AND USUALLY DOES NOT REQUIRE ADJUSTMENT.

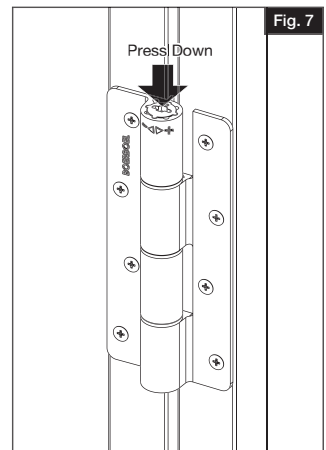
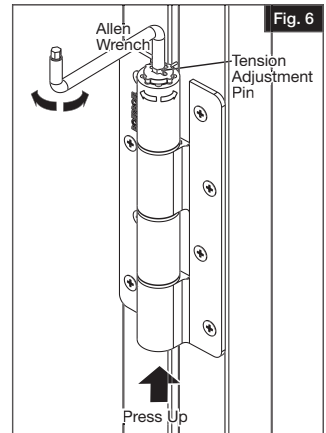
If you wish to change tension setting/gate swing speed, or completely disable the self-closing feature, please see the following:

- a. Place included Allen wrench into head of tension adjustment pin in hinge. The head is at the end closest to the + or - symbol on the hinge barrel (Fig. 6).
- b. While holding the tension adjustment pin with Allen wrench, press the opposite end of the pin into the hinge barrel. This will cause the head of the tension adjustment pin to extend beyond the hinge barrel (Fig. 6).

### NOTE:

DO NOT remove the Allen wrench or release the tension on the tension adjustment pin at any time during the adjustment.

- c. Following the indicators on the + or - symbol on the hinge barrel, turn the tension adjustment pin toward + to tighten, or toward - to loosen. DO NOT adjust by more than 1/4 turn, unless you want to disable the self-closing feature (Fig. 6).
- Self-closing feature can be disabled by loosening the tension adjustment pin one full turn.
- Do not over-tighten or over-loosen the tension adjustment pin, as this may damage the tension spring.
- d. When you have set the desired tension, press down on the head of the tension adjustment pin to lock it back into the hinge barrel. Tabs on pin head will fit into notches in hinge barrel when pin is in fully locked position (Fig. 7).



# 5.

Where applicable, install gate latch or drop rod according to instructions provided with those products.

## Transferable Limited Lifetime Warranty

What is covered: Barrette Outdoor Living warrants vinyl and aluminum products to include; vinyl and aluminum fence, vinyl and aluminum railing and plastic lattice against defects or workmanship for as long as you own your home. Barrette Outdoor Living will at its option replace the product in question with new product of the same or equivalent value at no charge. Barrette Outdoor Living warrants these products against peeling, flaking, splintering, corrosion, rusting or abnormal discoloration under normal use. This warranty extends to the original purchaser or transferee as specified herein on the products noted above. Separate and distinct warranties for hardware and other products are not covered under this warranty.

What this warranty does not cover: This limited warranty does not cover damage resulting from accident, unreasonable use, neglect, alteration, improper service, improper installation, acts of God or any other causes not arising out of defects in materials or workmanship. Additionally, this warranty does not cover costs of installation, removal, reinstallation or surface mold and mildew created by excessive environmental conditions. Any service or repair provided outside the scope of this limited warranty shall be at Barrette Outdoor Living's rate and terms then in effect.

What do we do to correct the problems? Should your Barrette Outdoor Living product prove defective under warranty, reference the website or call the phone number listed below. Your problem will be assigned a tracking number and an authorized Barrette Outdoor Living representative will contact you to arrange a convenient time to schedule an onsite inspection, or request pictures, if need be. If after inspection product is deemed to be manufacturer defect we will make arrangements to rectify the issue. You must have proof of your purchase in order for the problem to be corrected.

Transferee Coverage: Warranty coverage will be extended to one transferee on the above listed products with the following limitations. Transferee must obtain an original or copy of the initial sales receipt (with proof of date) from the previous owner(s). Additionally, if fence is purchased from a builder or installer, documentation must be supplied that names the product installed on property and date of transfer.

Registration: To activate this warranty, the online registration card must be completed and returned to Barrette Outdoor Living within 30 days of installation.

Additionally, this Warranty does not cover damage associated with surface mold and mildew resulting from environmental conditions including air pollution, or any other causes not arising out of defects in materials or workmanship by Barrette Outdoor Living.

This Warranty does not cover costs of removal or disposal of product, or reinstallation of replacement product. Any service provided outside the scope of this limited Warranty shall be at Barrette Outdoor Living's standard rate and terms then in effect.

Barrette Outdoor Living reserves the right to discontinue or modify any of its products, including the color of its products, without notice to the homeowner/consumer, and Barrette Outdoor Living does not warrant that any replacement material will match or be identical to the original product as replacement products may vary in color or gloss in comparison to the original product as a result of normal weathering. If Barrette Outdoor Living replaces any material under this Warranty, it may substitute products designated by Barrette Outdoor Living to be of comparable quality or price range in the event the product initially installed has been discontinued or modified.

THIS WARRANTY IS IN LIEU OF ALL CONDITIONS OR WARRANTIES, EXPRESS OR IMPLIED, INCLUDING BUT NOT LIMITED TO ANY IMPLIED CONDITIONS OR WARRANTIES OR MERCHANTABILITY OR FITNESS FOR A PARTICULAR PURPOSE ON THE PART OF BARRETTE OR ITS LICENSORS, SOME STATES DO NOT ALLOW THE EXCLUSIONS OF IMPLIED WARRANTIES OR LIMITATIONS OF HOW LONG AN IMPLIED WARRANTY LASTS, SO THE ABOVE LIMITATIONS MAY NOT APPLY TO YOU. IF THE PRODUCT IS DEFECTIVE PER THE ABOVE COVERAGES, YOUR SOLE AND EXCLUSIVE REMEDY SHALL BE REPAIR OR REPLACEMENT AS PROVIDED ABOVE. BARRETTE AND ITS LICENSORS SHALL NOT BE LIABLE FOR ANY DAMAGES, LOSS OF USE, LOSS OF PROFITS OR INTERRUPTION OF BUSINESS WHETHER SUCH ALLEGED DAMAGES ARE BASED IN WARRANTY, TORT, CONTRACT, OR INDEMNITY. SOME STATES DO NOT ALLOW THE EXCLUSION OF LIMITATIONS OF INCIDENTAL OR CONSEQUENTIAL DAMAGES, SO THE ABOVE LIMITATIONS MAY NOT APPLY TO YOU. This warranty is valid only in the United States and Canada.

For any specific questions about the Barrette Outdoor Living Warranty please contact Barrette Outdoor Living by visiting our website [www.barretteoutdoorliving.com](http://www.barretteoutdoorliving.com), emailing or calling 1-800-336-2383.

To begin your warranty coverage and register your product visit: [www.barretteoutdoorliving.com](http://www.barretteoutdoorliving.com). Retain manual and your dated sales slip for future reference or warranty claims.





**BARRETTE OUTDOOR LIVING**

7830 FREEWAY CIRCLE  
MIDDLEBURG HEIGHTS, OHIO 44130

TEL: (800) 336-2383  
[WWW.BARRETTEOUTDOORLIVING.COM](http://WWW.BARRETTEOUTDOORLIVING.COM)

