



Ready-to-Assemble Picket Vinyl Fence

INSTALLATION INSTRUCTIONS



Read all instructions prior to installing product.

Refer to manufacturers safety instructions when operating any tools.

To register your product, please visit:

freedomproduct.com

⚠ WARNING:

- Improper installation of this product can result in personal injury. Always wear safety goggles when cutting, drilling and assembling the product.
- Incorrect installation may cause harm to the product or individual.
- Check local building codes to determine pool-safe fencing options.

NOTICE:

- DO NOT attempt to assemble the kit if parts are missing or damaged.
- DO NOT return the product to the store. For assistance or replacement parts call: 1-800-336-2383.

BEFORE YOU BEGIN:

Check your local zoning laws.

- Local zoning laws and Home Owners Associations may regulate the location, style and height of your fence or even require a permit signoff beforehand.
- Check local codes for frost line depth and regulations.
- Additional products and assembly may be required to meet wind code requirements. Notice of acceptance (NOA) can be found at www.miamidade.gov/building/pc-search_app.asp

Contact your local utilities companies.

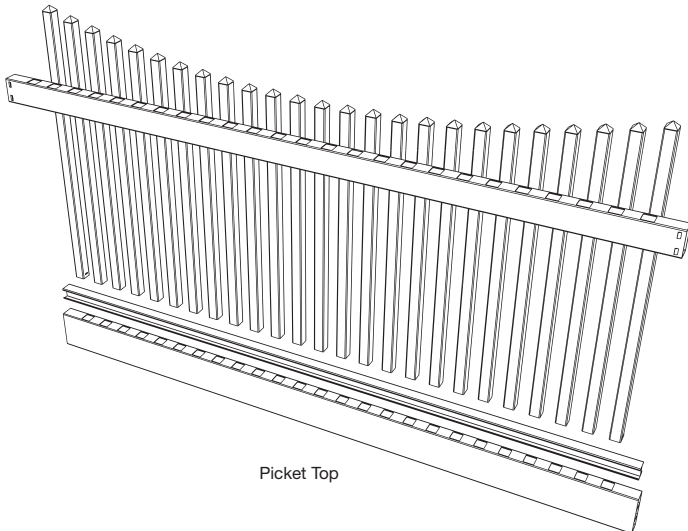
- You must have the utility companies clearly mark your property for electrical, gas or water lines to avoid puncturing any unseen underground utilities.

TOOLS NEEDED:

	Posts
	Post Tops
	Concrete
	Coarse Gravel (6" per hole)
	Post Hole Digger/Shovel
	String Line Stakes with String
	Level
	Tape Measure
	Rubber Mallet
	Safety Glasses
	Glue

Component list:

Description
Rails
Pickets



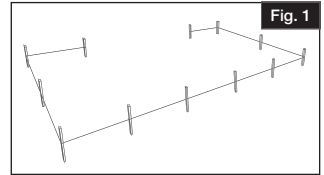
Picket Top

1

Mark the fence location using string and line stakes (Fig. 1).

NOTE:

Plan gate placement, opening and hardware clearance before installing fencing.

**2**

- a. Dig the first two post holes. Hole size should be dug based on the following determination: Depth is determined by your local frost line measurements plus 6" for gravel/filler (Fig. 2). Width is determined by the post size.

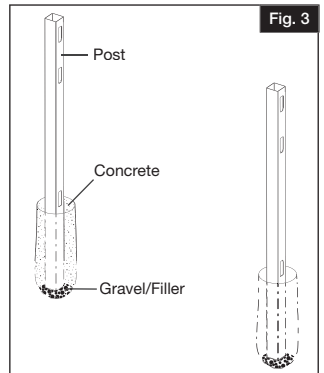
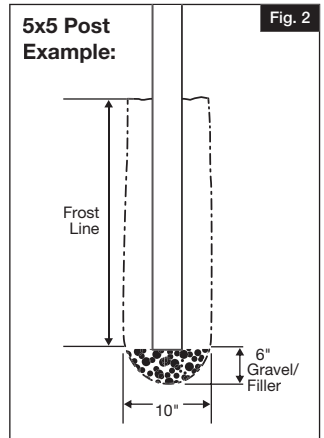
See chart below for measurements.

Diameters based on post size:

10" for 5" x 5" post

8" for 4" x 4" post

- b. Insert 6" of gravel/filler into the bottom of both holes and then set the first post into the ground and level it.
- c. Add wet or dry concrete mix according to manufacturer's instructions to the top of the first post hole only and assure your post remains level (Fig. 3).

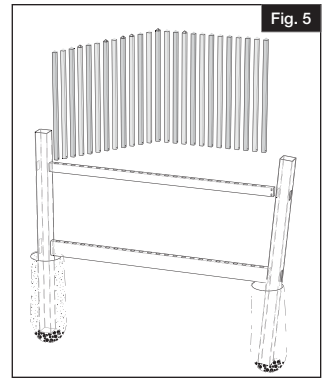
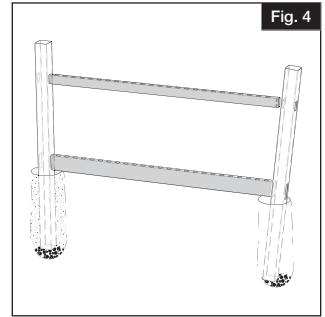
**3**

3

- a. Insert top and bottom rails into top and bottom post hole routes of both posts (Fig. 4).
- b. Starting from the left side, insert pickets/boards down through the top rail. Finish by locking pickets/boards into bottom rail (Fig. 5).

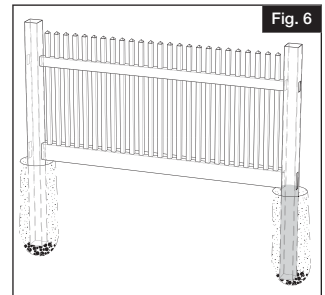
NOTE:

Scalloped and arched panels have pickets/boards that are numbered. Start from left side with #1 picket/board first.



4

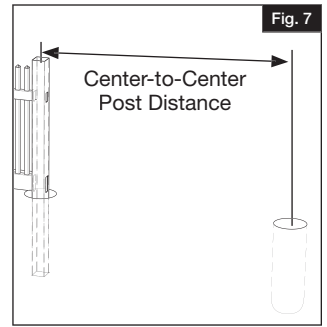
- Plumb and level second post and add concrete according to manufacturer's instructions to top of post hole (Fig. 6).



4

5

Check to ensure the second post is level, then add panel width plus one half ($\frac{1}{2}$) the width of your post. This will locate the center of your next hole. Then dig the third post hole accordingly (Fig. 7).

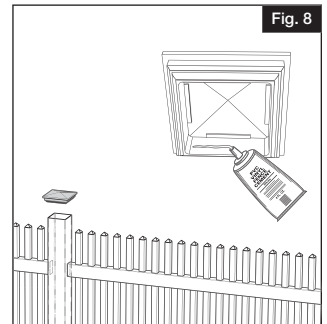


6

Repeat process from steps 2 to 5 until all fence panels and posts have been installed.

7

Apply glue on inside rim of post tops then attach to posts (Fig. 8).



5