



Vinyl Privacy & Picket Gates

INSTALLATION INSTRUCTIONS



Read all instructions prior to installing product.

Refer to manufacturers safety instructions when operating any tools.

To register your product, please visit:

freedomproduct.com

⚠ WARNING:

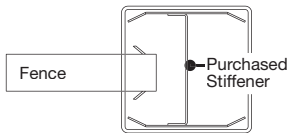
- Improper installation of this product can result in personal injury. Always wear safety goggles when cutting, drilling and assembling the product.
- Incorrect installation may cause harm to the gate or individual.
- Not pool code approved.
- Do not allow children to play with the gate.

NOTICE:

- DO NOT attempt to assemble the kit if parts are missing or damaged.
- DO NOT return the product to the store, for assistance or replacement parts call: 1-800-336-2383.

BEFORE YOU BEGIN:

Vinyl gate posts require an internal support system for weight-bearing purposes therefore a post stiffener is required. Post stiffener needs to be purchased separately.



Top View of Routed Post

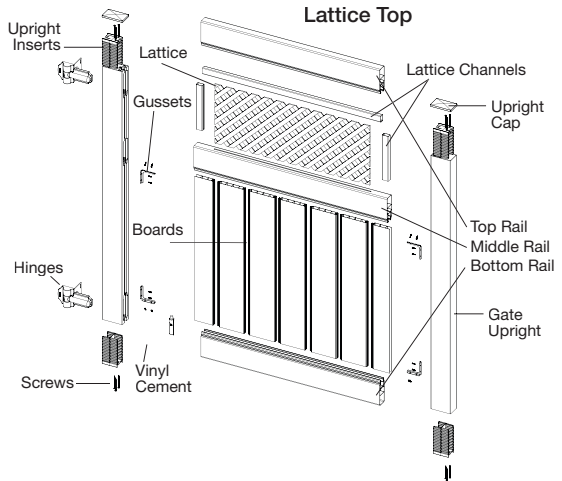
TOOLS NEEDED:

Phillips Screwdriver
Safety Glasses
Line Level
Tape Measure
Drill
#2 Square Drive Bit
Gate Hardware (Latch)

NOTE: Components shown are for visual reference only and may not depict the exact style of your product. Please see product label for correct number of pieces.

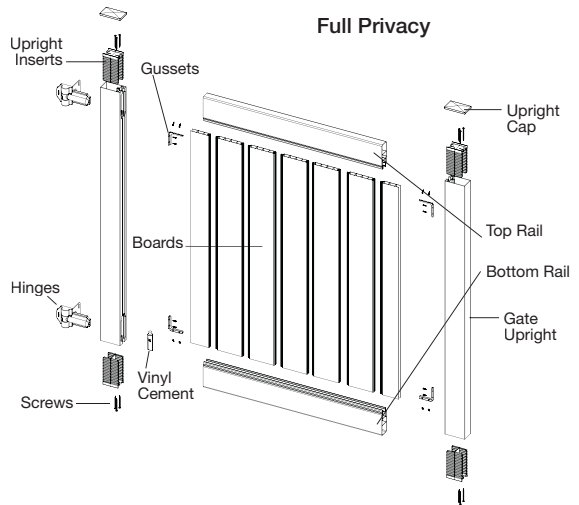
Lattice Top Gate Component list:

Description
Lattice
Boards
Top Rail
Middle Rail
Bottom Rail
Gate Uprights
Upright Inserts
Upright Caps
Screws
Lattice Channels
Vinyl Cement
Hinges
Gusset Hardware Kit



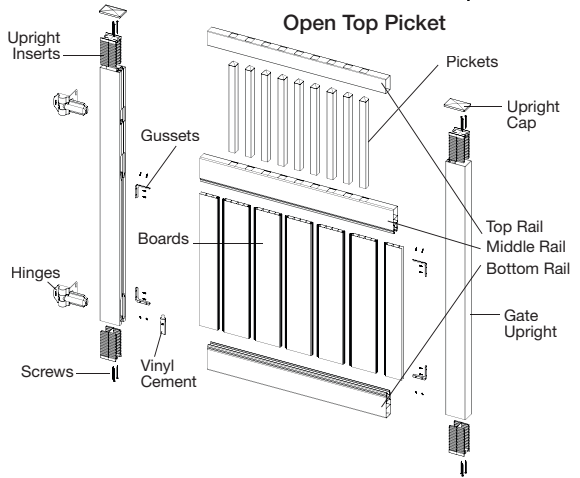
Full Privacy Gate Component list:

Description
Boards
Top Rail
Bottom Rail
Gate Uprights
Upright Inserts
Upright Caps
Screws
Vinyl Cement
Hinges
Gusset Hardware Kit



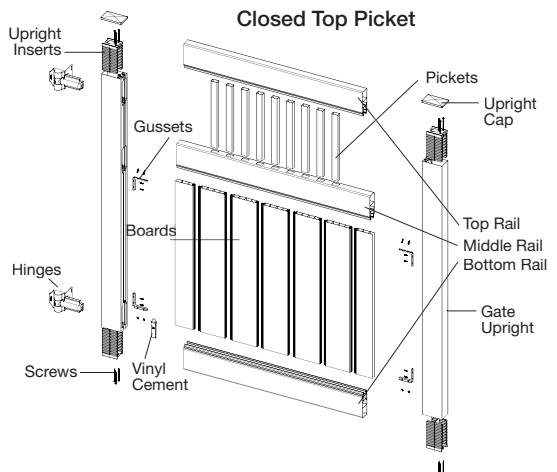
Open Top Picket Gate Component list:

Description
Pickets
Boards
Top Rail
Middle Rail
Bottom Rail
Gate Uprights
Upright Inserts
Upright Caps
Screws
Vinyl Cement
Hinges
Gusset Hardware Kit



Closed Top Picket Gate Component list:

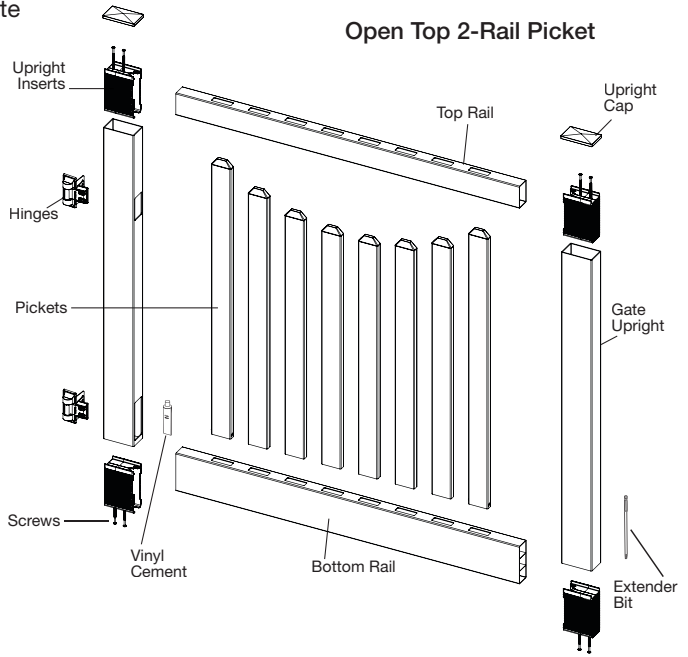
Description
Pickets
Boards
Top Rail
Middle Rail
Bottom Rail
Gate Uprights
Upright Inserts
Upright Caps
Screws
Vinyl Cement
Hinges
Gusset Hardware Kit



NOTE: Components shown are for visual reference only and may not depict the exact style of your product. Please see product label for correct number of pieces.

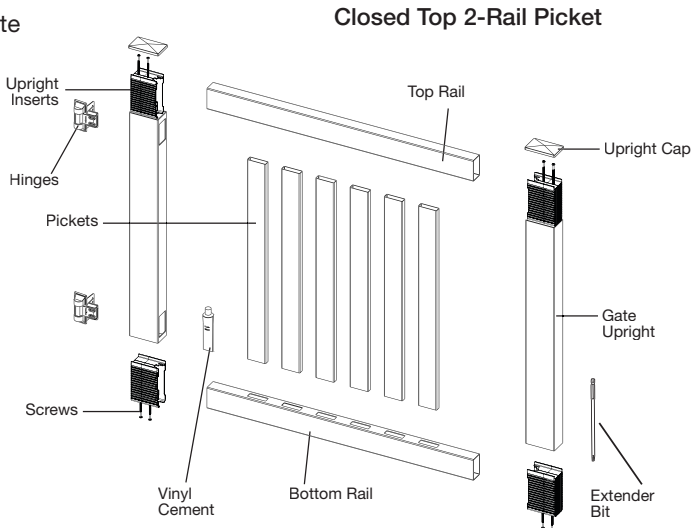
Open Top 2-Rail Picket Gate
Component list:

Description
Pickets
Top Rail
Bottom Rail
Gate Uprights
Upright Inserts
Upright Caps
Screws
Vinyl Cement
Hinges
#2 Square Extender Bit



Closed Top 2-Rail Picket Gate
Component list:

Description
Pickets
Top Rail
Bottom Rail
Gate Uprights
Upright Inserts
Upright Caps
Screws
Vinyl Cement
Hinges
#2 Square Extender Bit



1

Lay gate components on a smooth, flat and clean surface. Begin by arranging the rails in the correct orientations.

2

For Styles With Two Rails:

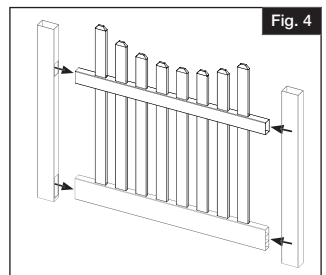
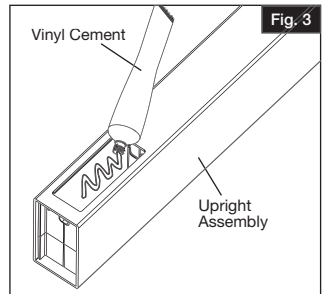
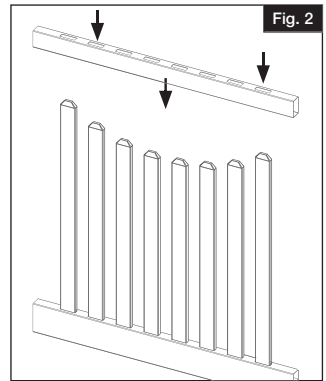
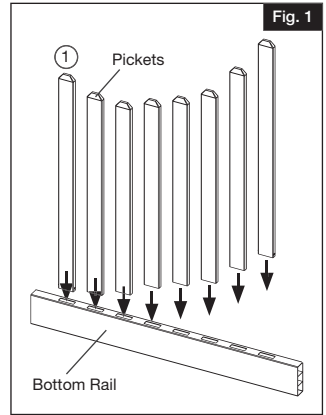
- a. Slide the pickets/boards into the bottom rail. If pickets/boards are numbered, follow the sequence from left to right (Fig. 1).
- b. Slide the top rail over the pickets (Fig. 2).

For Styles With Three Rails:

- a. Slide the pickets/boards into the bottom rail. If pickets/boards are numbered, follow the sequence from left to right (Fig. 1).
- b. Slide the middle rail over the pickets/boards.
- c. Slide the top rail over the pickets/boards (Fig. 2).

3

- a. Apply provided vinyl cement to all inside surfaces of the uprights where the rails will be installed (Fig. 3).
- b. Attach uprights to rails (Fig. 4).



4

Ensure gate is square. Measure diagonally from top of left corner rail (A) to bottom of right corner rail (B) and note the length. Then, measure diagonally from top of right corner rail (C) to bottom of left corner rail (D). Note the length. Make sure both measurements are the same before installing screws into uprights (Fig. 6).

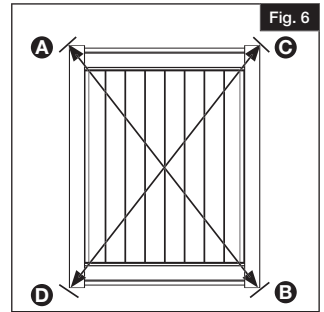


Fig. 6

5

Install two 6" screws (provided) through each upright insert and into the rail using the molded grooves on the insert as a guide (Fig. 7).

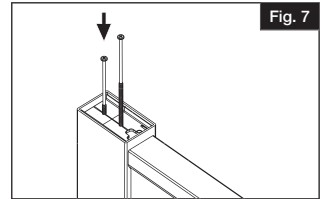


Fig. 7

6

Install upright caps onto the top of each upright with remaining vinyl cement (Fig. 8).

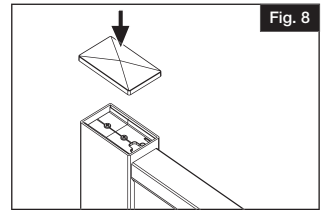


Fig. 8

7

Attaching Boerboel® Hinge To The Upright:

- Attaching the hinges to the inside of the gate will allow the gate to open inward. When attaching them to the outside, the gate will swing outward.
- Mark and pre-drill $\frac{3}{32}$ " pilot holes on top and bottom upright. Secure using six $1\frac{1}{2}$ " screws (provided with the hinge) to front and side of the upright (Fig. 9). Repeat for the bottom hinge.

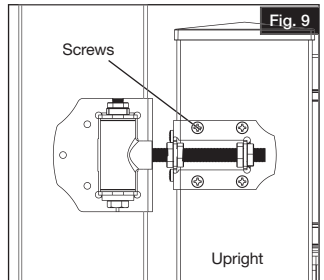


Fig. 9

8

Hold the gate level to the post, pre-drill holes with $\frac{3}{32}$ " bit and secure with six $1\frac{1}{2}$ " screws to the post (Fig. 10). Repeat for the bottom hinge.

NOTE:

Use 2" blocks to align the gate with the fence and help hold the gate steady (Fig. 11).

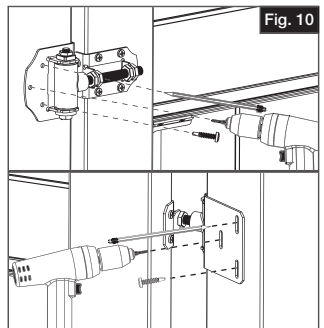


Fig. 10

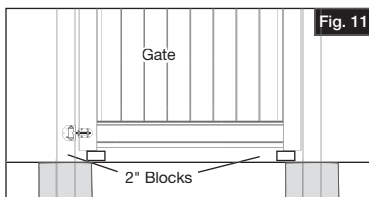


Fig. 11

6

BARRETTE OUTDOOR LIVING

7830 FREEWAY CIRCLE
MIDDLEBURG HEIGHTS, OHIO 44130

TEL: (888) 418-4400
WWW.FREEDOMPRODUCT.COM

