



BARRETTE-WEB

Vinyl Post & Rail/Ranch Rail

INSTALLATION INSTRUCTIONS



Read all instructions prior to installing product.

Refer to manufacturers safety instructions when operating any tools.

To register your product, please visit: barretteoutdoorliving.com

⚠ WARNING:

- Improper installation of this product can result in personal injury. Always wear safety goggles when cutting, drilling and assembling the product.
- Incorrect installation may cause harm to the product or individual.
- Not pool code approved.

NOTICE:

- DO NOT attempt to assemble the kit if parts are missing or damaged.
- DO NOT return the product to the store. For assistance or replacement parts call: 1-800-336-2383.

BEFORE YOU BEGIN:

Check your local zoning laws.

- Local zoning laws and Home Owners Associations may regulate the location, style and height of your fence or even require a permit signoff beforehand.
- Check local codes for frost line depth and regulations.
- Additional products and assembly may be required to meet wind code requirements. Notice of acceptance (NOA) can be found at www.miamidade.gov/building/pc-search_app.asp

Contact your local utilities companies.

- You must have the utility companies clearly mark your property for electrical, gas or water lines to avoid puncturing any unseen underground utilities.

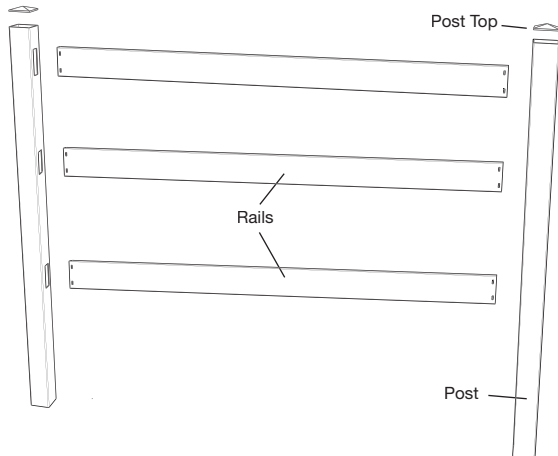
TOOLS NEEDED:

Safety Glasses
Level
Tape Measure
Concrete
Coarse Gravel (6" Per Hole)
Post Hole Digger
String Line Stakes
Shovel
Rubber Mallet
Vinyl Cement

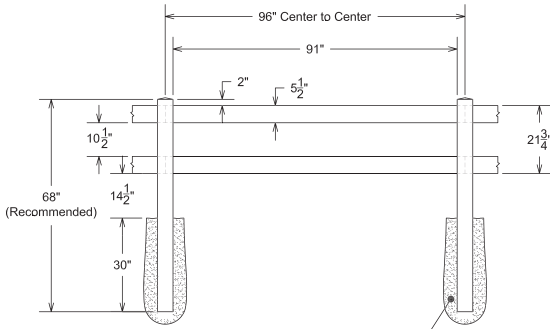
NOTE: Components shown are for visual reference only and may not depict the exact style of your product. Please see product label for correct number of pieces.

**Post & Rail
Component list:**

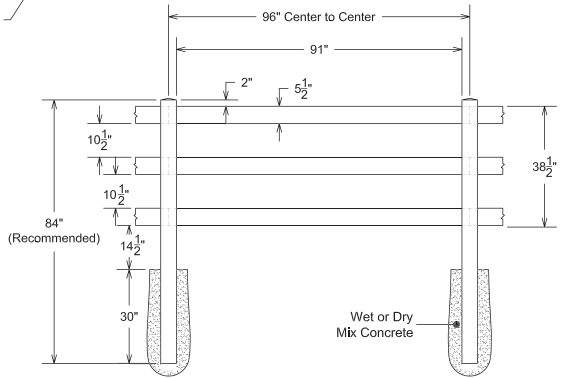
Description
Rails
Posts (Sold Separately)
Post Tops (Sold Separately)



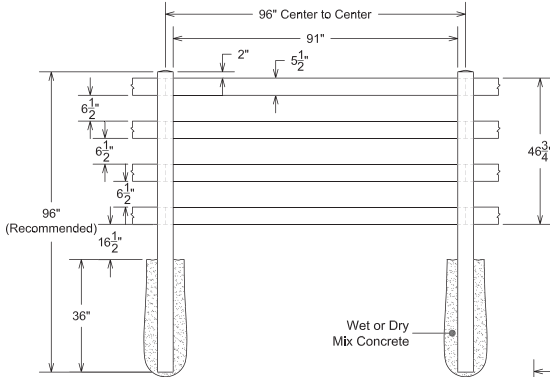
To obtain and review a copy of the warranty please go to: BarretteOutdoorLiving.com/warranty. You can also contact 1-800-336-2383 or write to Barrette Outdoor Living, 7830 Freeway Circle, Middleburg Heights, Ohio 44130 to obtain a copy of the warranty.



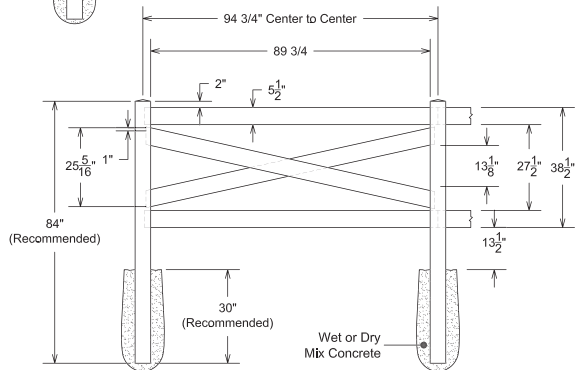
2-Rail



3-Rail



4-Rail



Crossback

1.

Mark the fence location using string and line stakes (Fig. 1).

NOTE:

Plan gate placement, opening and hardware clearance before installing fencing.

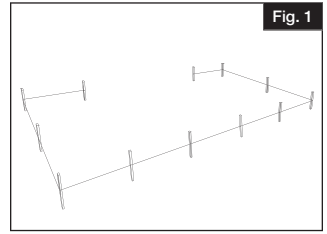


Fig. 1

2.

Post Location:

Measure the width of the rails (X) plus the width of the post (Y). This is the common center-to-center measurement (unless there is a cut-down rail) for post hole location (Fig. 2).

Post Installation:

Dig the first two post holes. Hole size should be dug based on the following determination: Depth is determined by your local frost line measurements plus 6" for gravel/filler (Fig. 3). Width is 10".

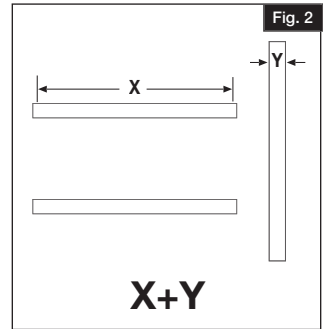


Fig. 2

3.

Insert 6" of gravel/filler into the bottom of both holes and then set both posts into the ground and level the first post.

Add wet or dry concrete mix according to manufacturer's instructions to the top of the first post hole (Fig. 3). Make sure rails will be at least 2" above the ground.

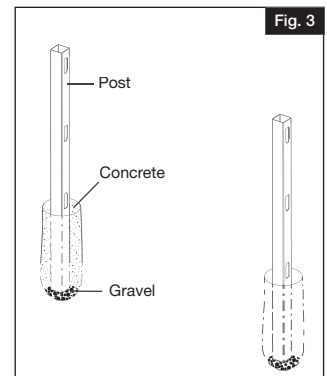
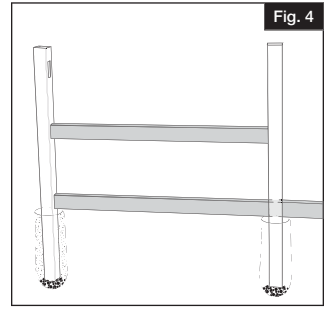


Fig. 3

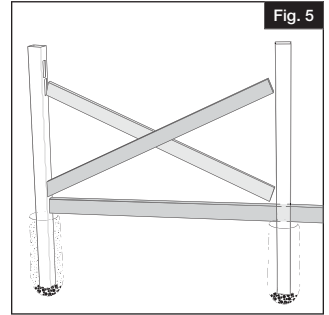
4.

For 2-Rail, 3-Rail, & 4-Rail, insert bottom rail into bottom post route hole of first post only, then do the same for the middle & top rails accordingly. If using 16' Rails, alternate rails so rail ends do not begin at the same post (Fig. 4).



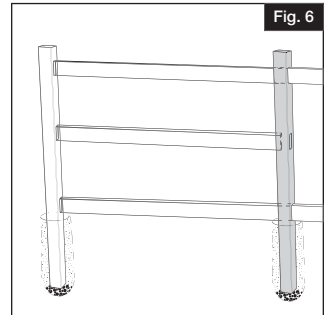
5.

For Crossbuck Styles, insert bottom rail into bottom post route hole, then first cross rail, followed by second cross rail, and finally the top rail accordingly (Fig. 5)



6.

Insert the rails into the route holes of the second fence post and continue process for the rest of set posts.



7.

Apply glue on inside rim of post tops then attach to posts (Fig. 7). Repeat these steps until completed.



BARRETTE OUTDOOR LIVING

7830 FREEWAY CIRCLE
MIDDLEBURG HEIGHTS, OHIO 44130

TEL: (800) 336-2383
WWW.BARRETTEOUTDOORLIVING.COM

