



SCHLAGE LiNK™

BE369 Deadbolt Installation Instructions



Important Information

Lock Programming Code

six (6) digits

User Code A

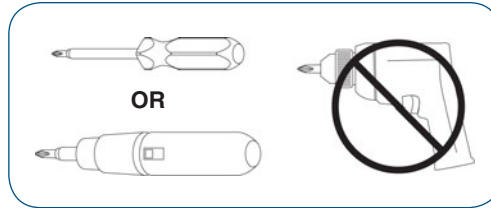
four (4) digits

User Code B

four (4) digits

Web Support: www.part2.schlage.com

Customer Service: (877) 288-7707



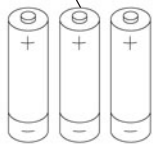
OR



Alternate Faceplate



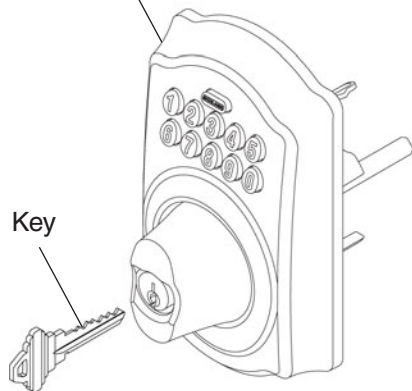
AA batteries



9V battery

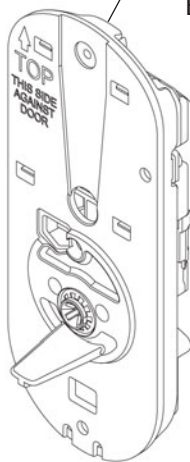


Keypad

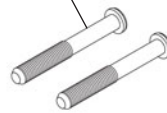


Key

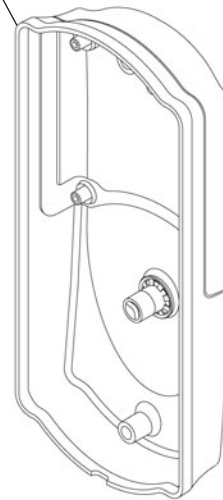
Baseplate



Baseplate screws



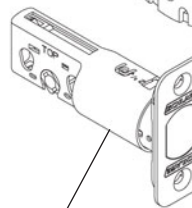
Cover



Cover screws

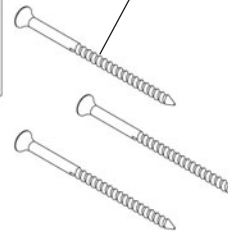


Latch/strike screws



Bolt

Reinforcement screws



Strike

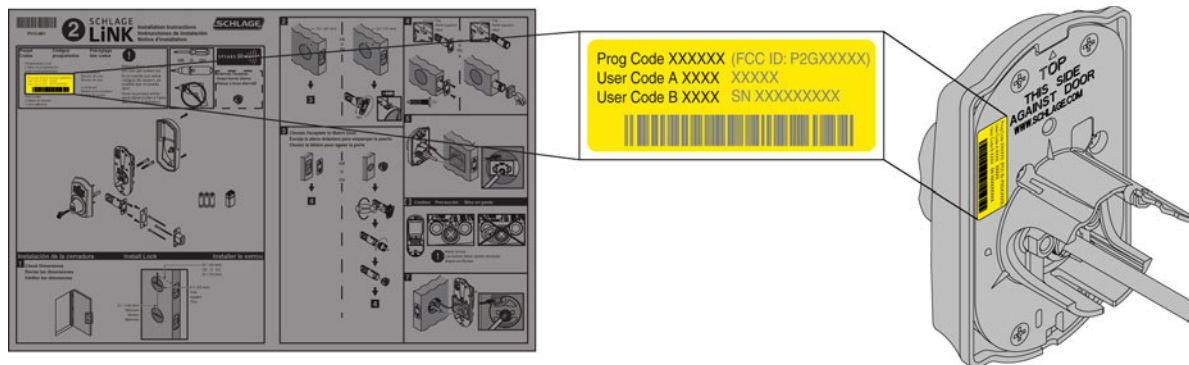


Dust box



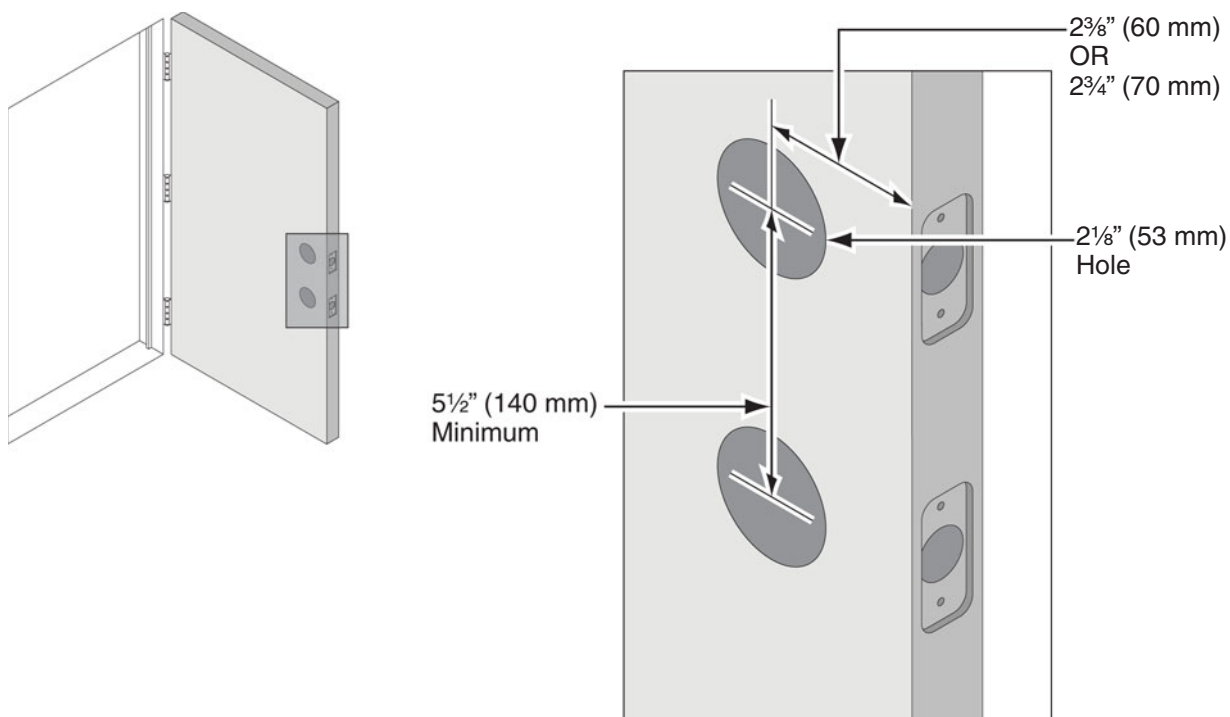
1 Locate Programming Code and Preset User Codes

The programming code and the preset user codes are printed on the yellow stickers located on the back of the keypad and on the installation sheet that came in the box. Write these codes in the space provided on the first page.



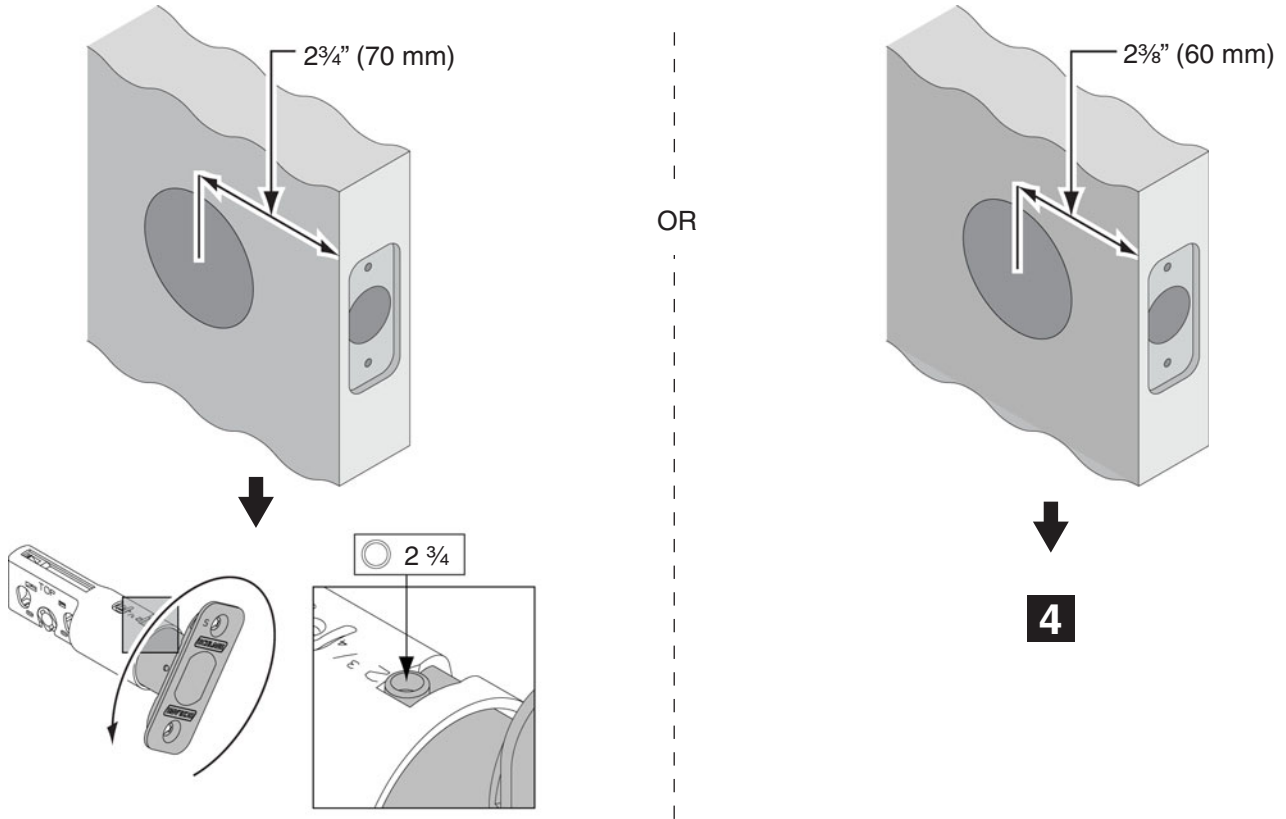
2 Check Door Dimensions

If your door does not match the dimensions shown, go to www.part2.schlage.com for instructions on how to prepare your door.



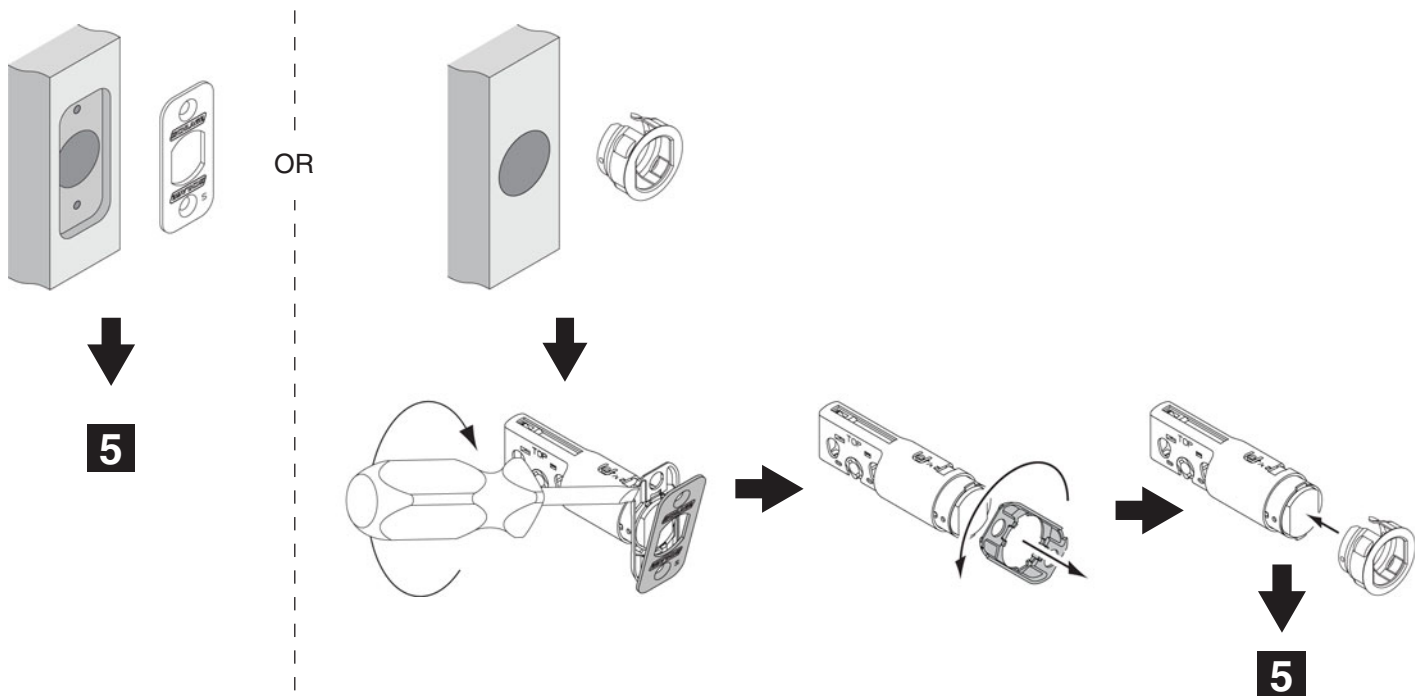
3 Check Backset

The backset is the distance from the edge of the door to the center of the hole through which the lock is installed. This lock will fit either a $2\frac{3}{8}$ " backset or a $2\frac{3}{4}$ " backset. The bolt is preset to fit a $2\frac{3}{8}$ " backset. If your backset is not $2\frac{3}{8}$ ", you need to adjust your bolt by rotating it counterclockwise.



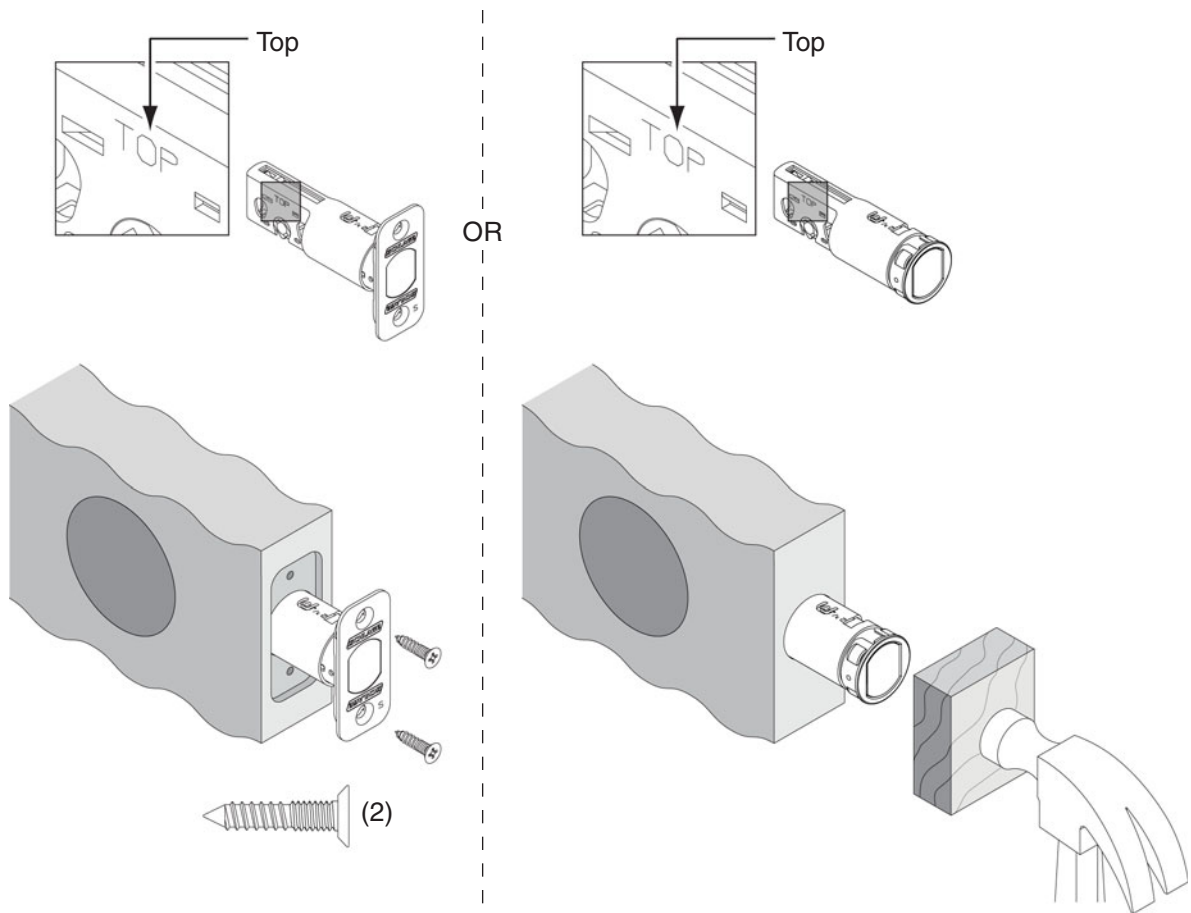
4 Choose Faceplate

Choose the faceplate that most matches your existing door preparation. To use the round faceplate, first remove the rectangular faceplate and back plate. Then attach the round faceplate.



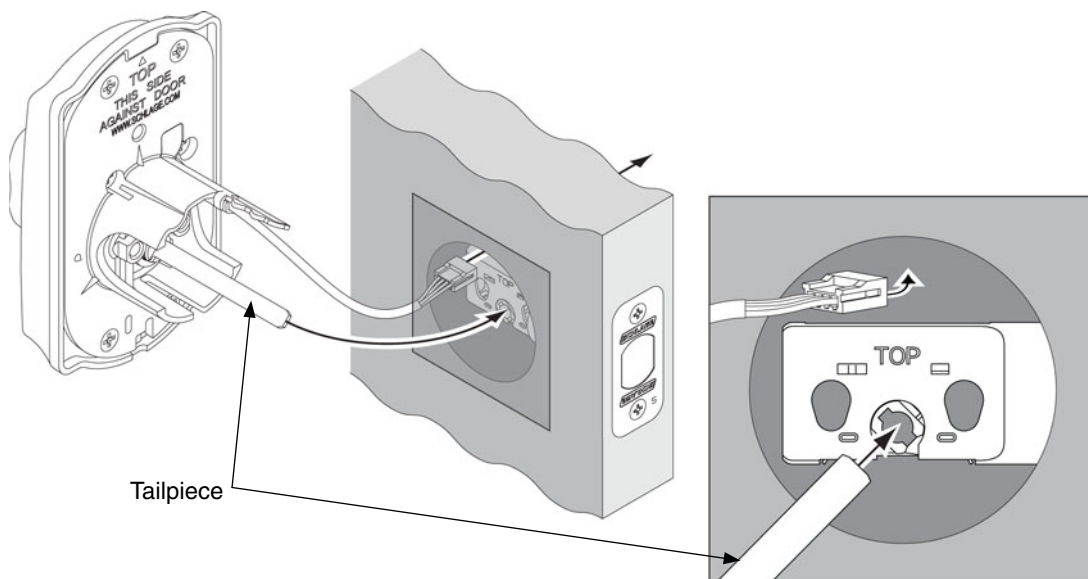
5 Install Bolt

The word "TOP" should be facing upward as shown below.



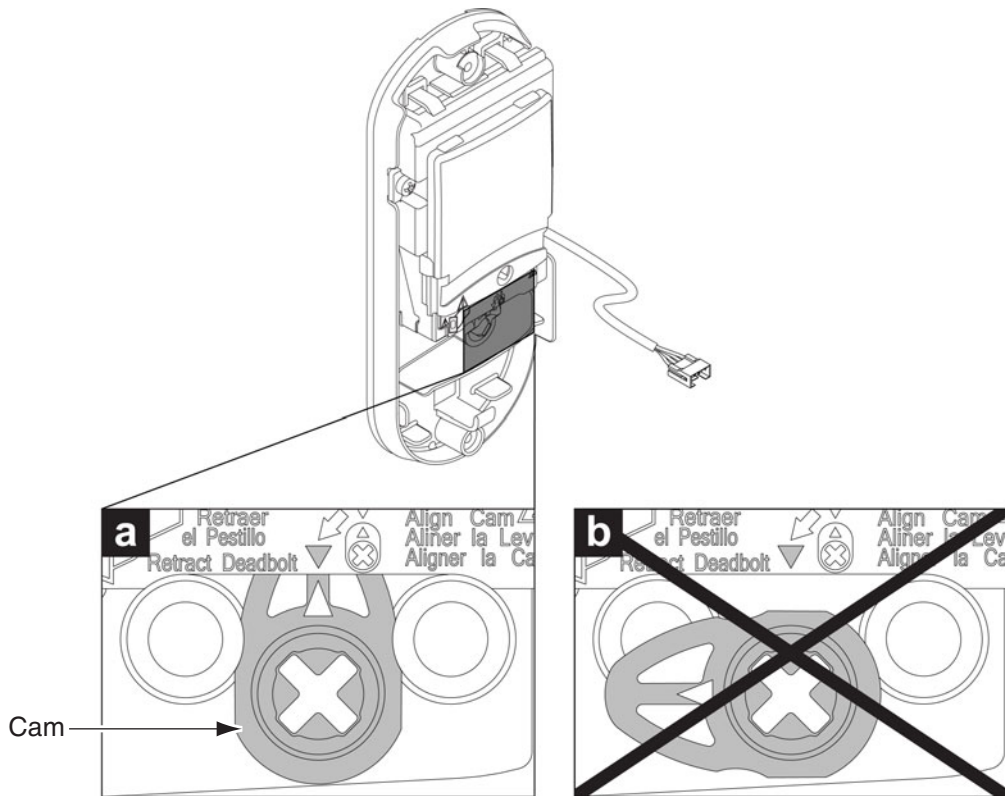
6 Install the Keypad

Feed the cable over the top of the bolt assembly as shown below. Then slide the tailpiece through the correct hole as shown below.



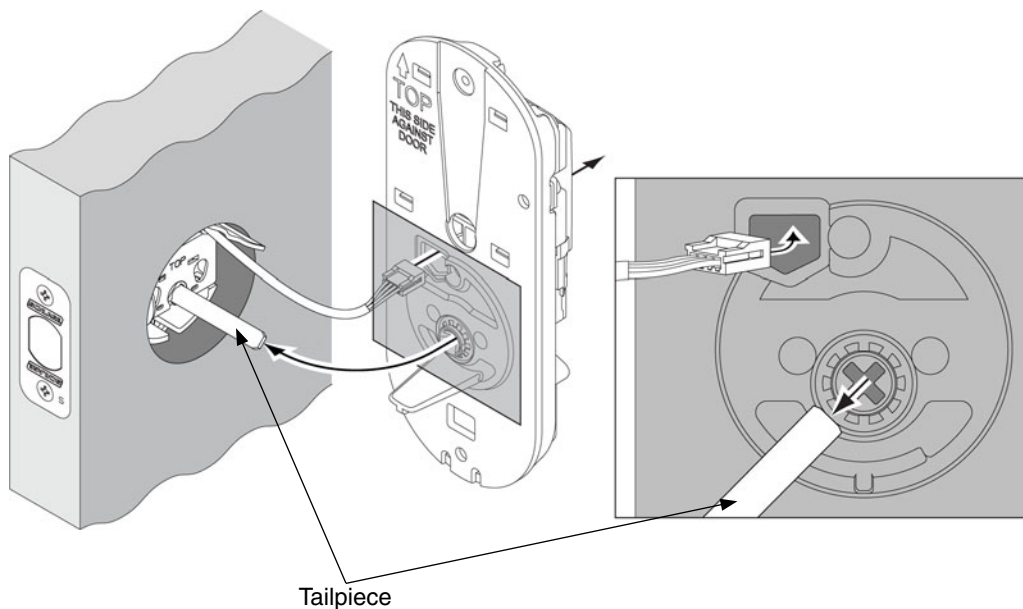
7 Check the Cam on the Baseplate

Locate the cam on the baseplate. This cam has a small arrow on it that should point to the arrow that is printed on the casing above the cam, like picture "a" below. If the cam is oriented sideways, like the picture "b", rotate the cam until the arrows match.



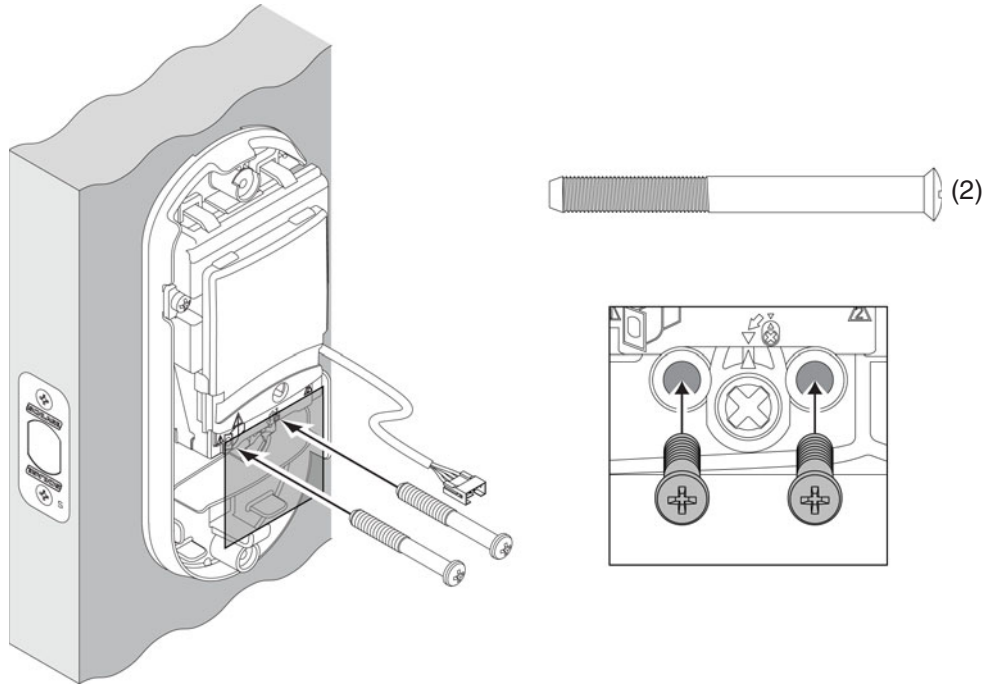
8 Install the Baseplate

Feed the cable through the hole as shown below. **DO NOT connect the cable at this time.** Then slide the baseplate onto the tailpiece and press against the door. The baseplate should stay in place.



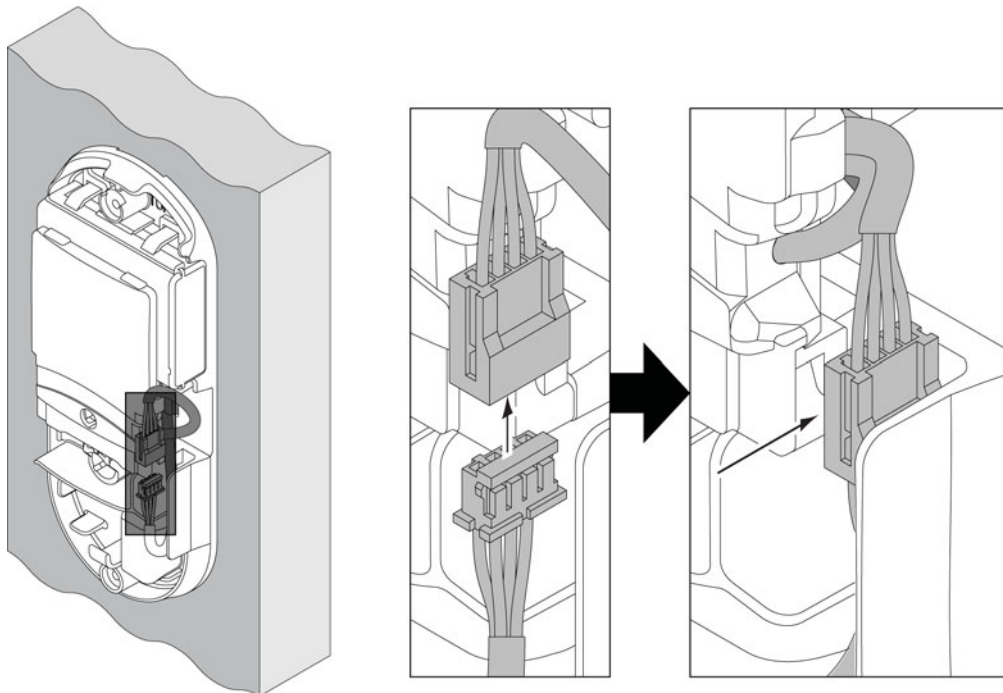
9 Secure the Baseplate to Door

Use the two screws shown to secure the baseplate to the door.



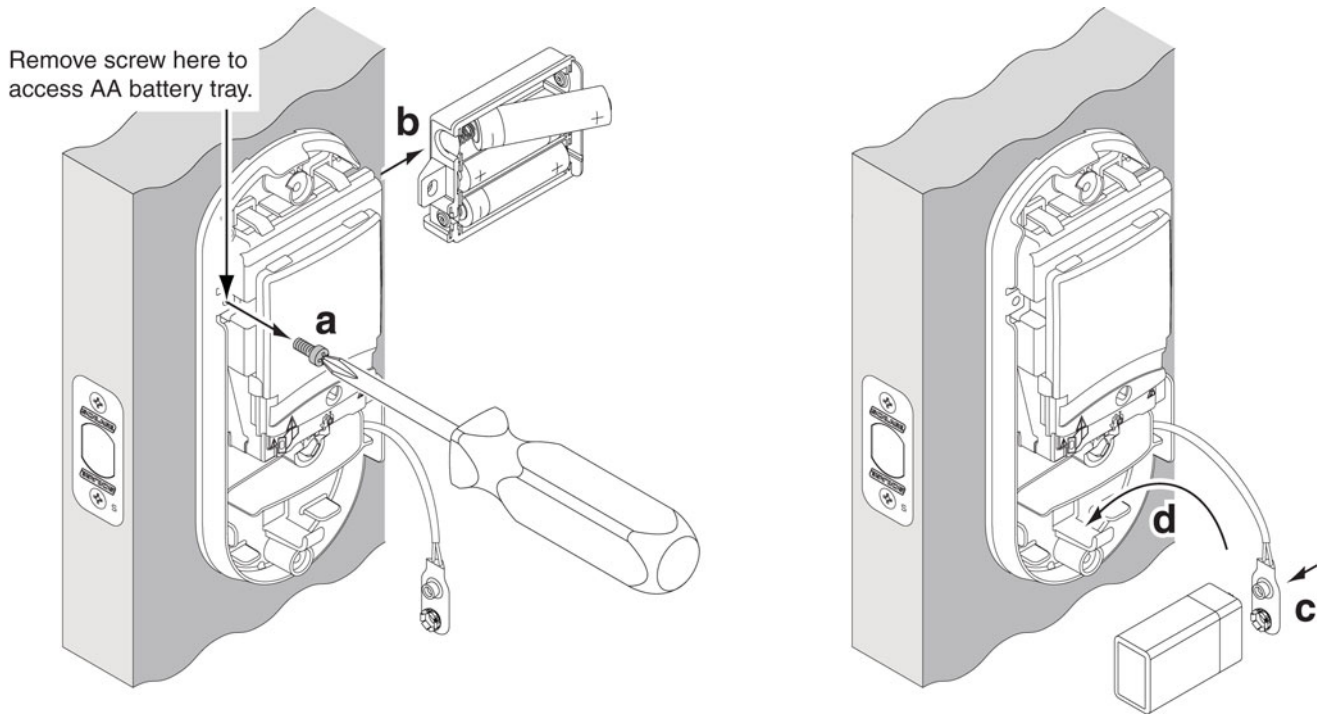
10 Connect the Cable

Snap the connectors together. Tuck them into the open space in the baseplate. Make sure no wires will be pinched when the cover is installed.



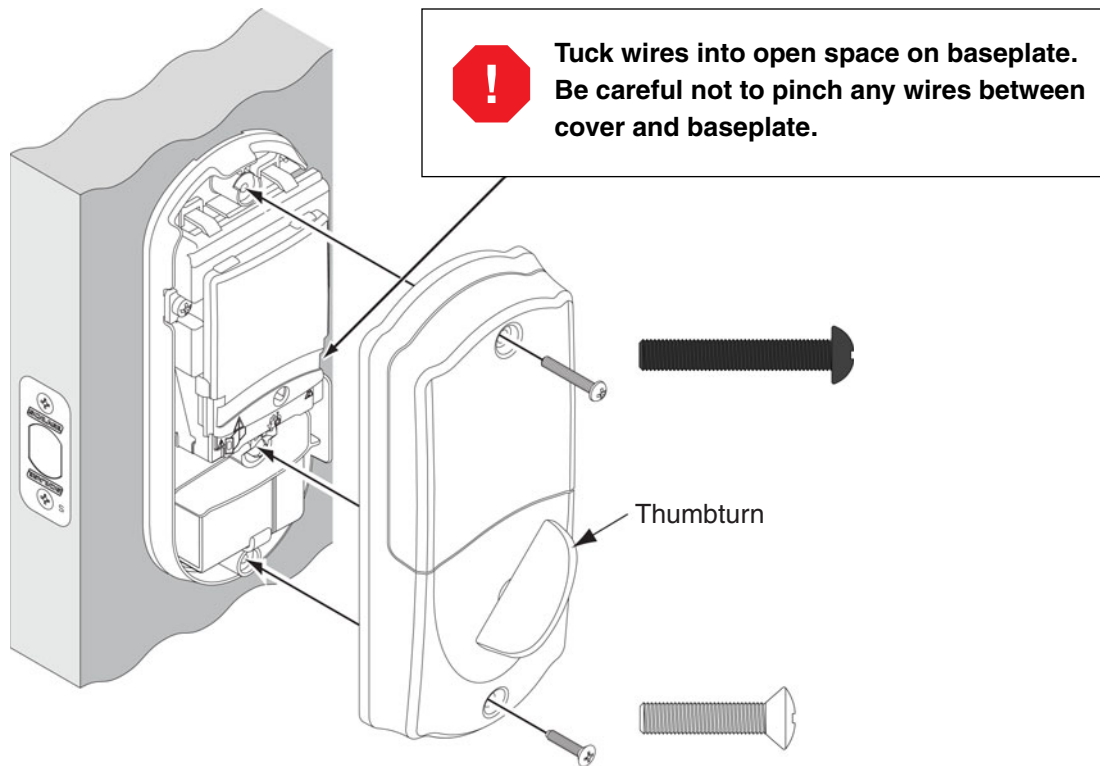
11 Install the Batteries

There are two sets of batteries. Install both the 9V and the AA batteries.



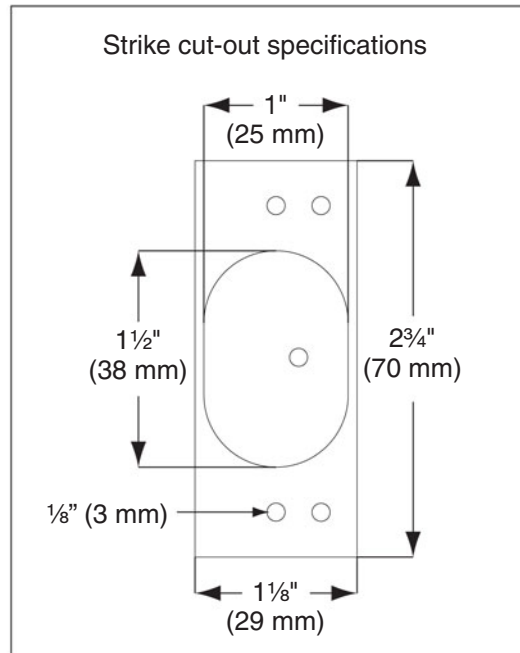
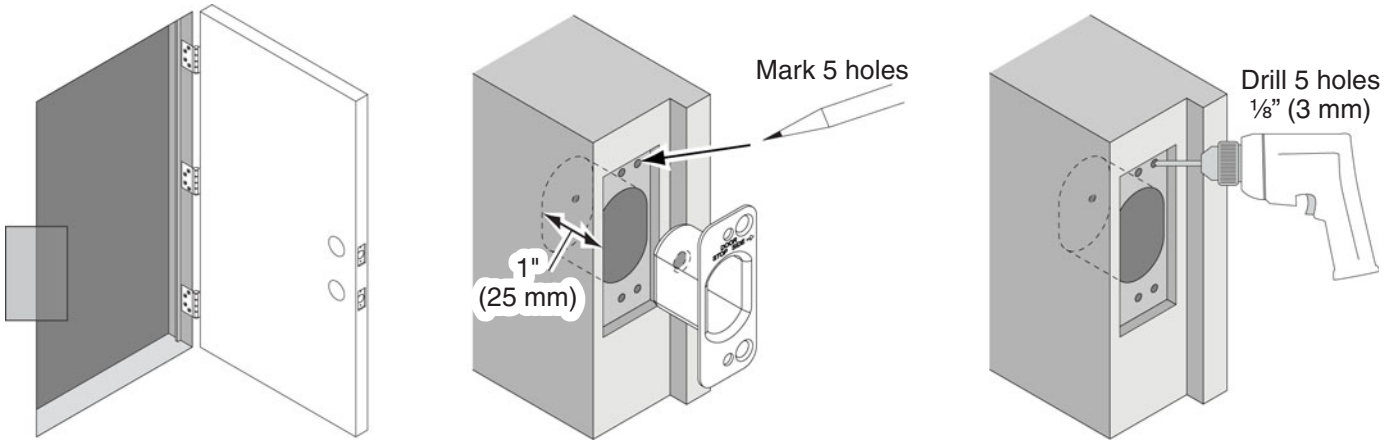
12 Install the Cover

Place the cover against the door and secure using the two screws. You may need to rotate the thumbturn to the proper position, shown below. Note that the top screw is longer and painted black.

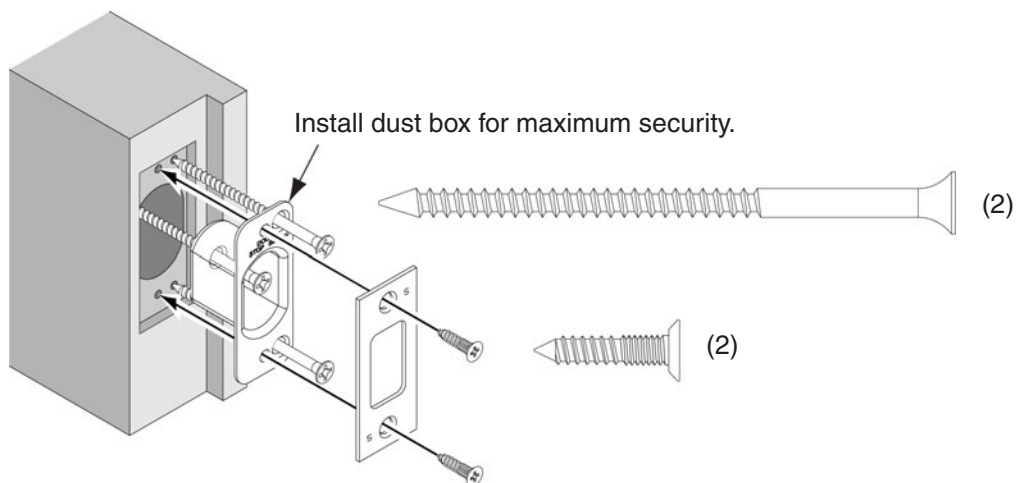


13 Prepare the Frame for the Strike

Place the dust box inside the strike hole and mark the 5 hole locations. Drill them as shown.
If the strike cut-out has not been prepared in the frame, see the "Strike cut-out specifications" box.



14 Install the Strike

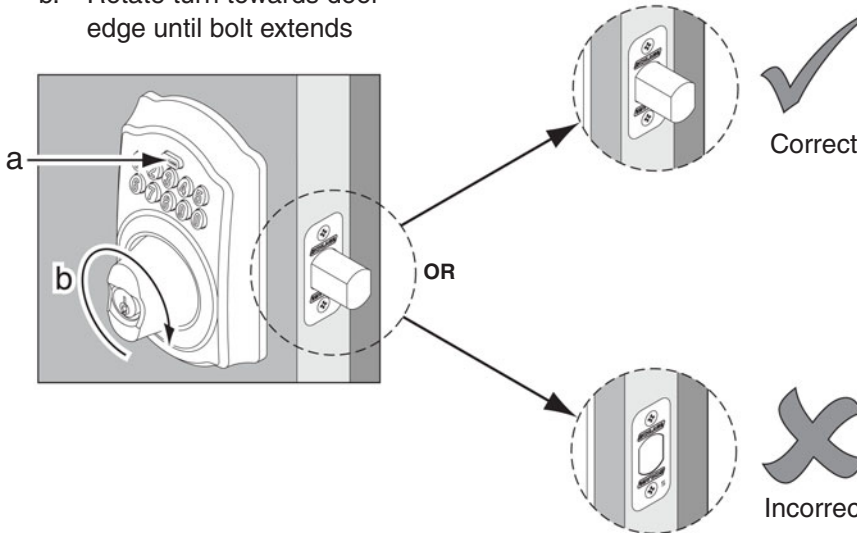


15 Test Locking Function

Make sure that the bolt extends as shown in the “correct” drawing below.

! Test with door open to avoid being locked out!

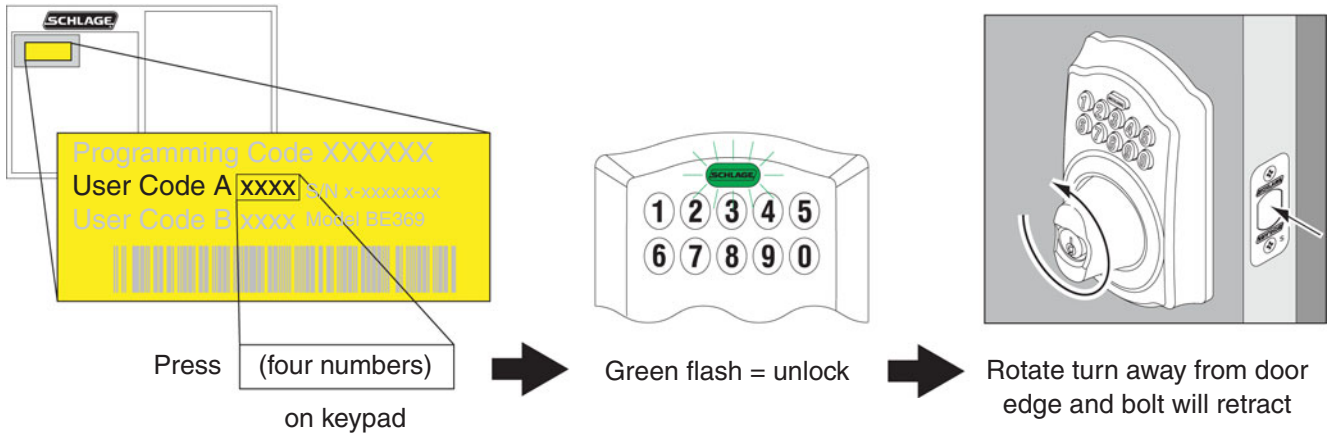
- Press 
- Rotate turn towards door edge until bolt extends



If bolt does not extend, remove lock from door. Follow steps 5-10 to reinstall lock. Pay special attention to step 7.

16 Test Unlocking Function

! Test with door open to avoid being locked out!



17 This portion of the setup is complete.

Follow the directions on document **3** to continue setup.

For troubleshooting, see www.part2.schlage.com.

FCC Notice

This device complies with part 15 of the FCC rules. Operation is subject to the following two conditions: (1) This device may not cause harmful interference, and (2) this device must accept any interference received, including interference that may cause undesired operation.

Changes or modifications to this equipment not expressly approved by Schlage could void the user's authority to operate the equipment.

FCC ID: P2GBE369

IC: 7954A-BE369

PATENT NOTICE

Schlage® products and those of its subsidiary companies and licensees may be covered by both issued and pending U.S. and foreign patents, copyrights and trademarks. Manufactured items are covered by one or more of the following patents:

5070715	5765412	6523375	D372417	D458829
5152558	5769472	6533336	D372854	D467155
5308131	5809816	6540274	D406056	D472788
5395144	5816086	6581426	D406528	D487388
5593193	5820290	6802546	D426452	D520331
5598726	5881590	6905773	D428324	D520332
5640863	5918916	6926319	D450558	D537702
5683127	6286347	7143477	D457048	D541620
5715717	6297725	7159424	D457049	D543435

LOCK PRODUCT: Lifetime Limited Mechanical and Finish Warranty and 1-Year Limited Electronics Warranty

Subject to the terms and conditions of this warranty, Schlage extends a lifetime limited mechanical and finish warranty and a one-year limited electronics warranty to the original consumer user ("Original User") of our Schlage brand lock product ("Lock Product") against defects in material and workmanship, as long as the Original User occupies the residential premises upon which the Lock Product was originally installed.

NON-LOCK PRODUCT: 1-Year Limited Mechanical and Electronics Warranty

Subject to the terms and conditions of this warranty, Schlage extends a 1-year limited mechanical and electronics warranty to the original consumer user ("Original User") of our Schlage brand non-lock product used in conjunction with our Lock Product ("Non-Lock Product") against defects in material and workmanship, as long as the Original User occupies the residential premises upon which the Lock Product was originally installed.

"Lock Product" and "Non-Lock Product" are collectively referred to herein as "Product".

What Schlage will do: Upon return of the defective Product to Schlage, Schlage's sole obligation, at its option, is to either repair or replace the Product, or refund the original purchase price in exchange for the Product.

Original User: This warranty only applies to the Original User of Products. This warranty is not transferable.

What is not covered: The following costs, expenses and damages are not covered by the provisions of this limited warranty: (i) labor costs including, but not limited to, such costs as the removal and reinstallation of Product; (ii) shipping and freight expenses required to return Product to Schlage; (iii) failures, defects, or damage (including, but not limited to, any security failure or loss of data) caused by any third party product, service, or system connected or used in conjunction with the Product; and (iv) any other incidental, consequential, indirect, special and/or punitive damages, whether based on contract, warranty, tort (including, but not limited to, strict liability or negligence), patent infringement, or otherwise, even if advised of the possibility of such damages.

The provisions of this warranty do not apply to Product: (i) used in commercial applications; (ii) used in common area applications; (iii) used for purposes for which they are not designed or intended; (iv) which have been subjected to alteration, abuse, misuse, negligence or accident; (v) which have been improperly stored, installed, maintained or operated; (vi) which have been used in violation of written instructions provided by Schlage; (vii) which have been subjected to improper temperature, humidity or other environmental conditions; or (viii) which, based on Schlage's examination, do not disclose to Schlage's satisfaction non-conformance to the warranty. Additionally, this warranty DOES NOT

COVER scratches, abrasions, or deterioration due to the use of paints, solvents or other chemicals.

Exclusions: Oil Rubbed Bronze finish (613) is designed to improve over time and change in appearance, creating a living finish through daily use and thus, finish discoloration is not applicable to the above warranty.

Additional terms: Schlage does not authorize any person to create for it any obligation or liability in connection with the Product. Schlage's maximum liability hereunder is limited to the original purchase price of the Product. No action arising out of any claimed breach of this warranty by Schlage may be brought by the Original User more than one (1) year after the cause of action has arisen.

How local law applies: This warranty gives you specific legal rights, and you may also have other rights as otherwise permitted by law. If this Product is considered a consumer product, please be advised that some local laws do not allow limitations on incidental or consequential damages or how long an implied warranty lasts, so that the above limitations may not fully apply. Refer to your local laws for your specific rights under this warranty.

Guaranteed Fit Program: Schlage products are designed to fit standard residential door preparations and retrofit existing tubular locks. Note: Mortise locks and preparations are not considered standard and are not guaranteed under this program. During the initial installation, if there is a problem with the Product's performance, the Original User may simply contact Schlage Customer Service at (877) 288-7707 in the U.S. and Canada for assistance.

Program and warranty claims: If you encounter a residential door preparation or fit issue under the Guaranteed Fit Program or have a claim under this warranty, please contact Schlage Customer Service for repair, replacement or refund of the original purchase price in exchange for the return of the Product to Schlage.

