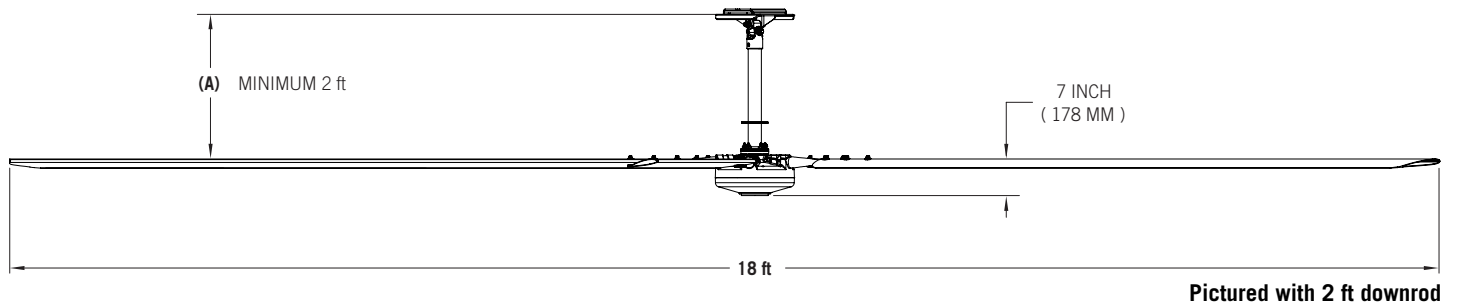


POWER & EFFICIENCY

INPUT POWER OPTIONS	AC 1PH 200-240V 60Hz AC 3PH 200-240V 60Hz AC 3PH 380-480V 60Hz		
MAXIMUM RATED CURRENT (amp)	7.8-6.5 A		4.1-3.4 A 3.3-2.7 A
POWER (hp)	1 hp		
MAXIMUM SPEED (RPM)	95 RPM		
EFFICIENCY	215,000 CFM/HP		

DIMENSIONS & WEIGHT

FAN DIAMETER	18 ft
FAN WEIGHT	183 lb (83 kg)



MOUNTING & SAFETY

MOUNTING OPTIONS	I-beam Glulam
DOWNROD (A)	Downrods available in 1 ft increments: 2 ft min., 10 ft max. Downrod length must be specified at time of order.
SAFETY FEATURES	Fan Retention System Airfoil Retention System Fire relay

IN THE BOX

INCLUDED	Fan I-beam mount with pre-wired downrod Control panel Install manual Mounting hardware kit Communication Kit Guy wire kit
OPTIONAL	Additional cable lengths Touchscreen (5 in) Glulam brackets

WARRANTY & CERTIFICATIONS

CERTIFICATIONS	ETL/Intertek-certified to ANSI/UL 507 and CSA C22.2 No. 113 in North America
WARRANTY ¹	15-year, Non-Prorated Warranty

¹See complete warranty for details.