

*American  
Standard*

SKU: 463764 / QK015

Owner's Manual

## Stainless Steel Double Bowl Sink Kit



### **THANK YOU**

for selecting American Standard... the benchmark of fine quality for over 100 years. To ensure that your installation proceeds smoothly, please read these instructions carefully before you begin.

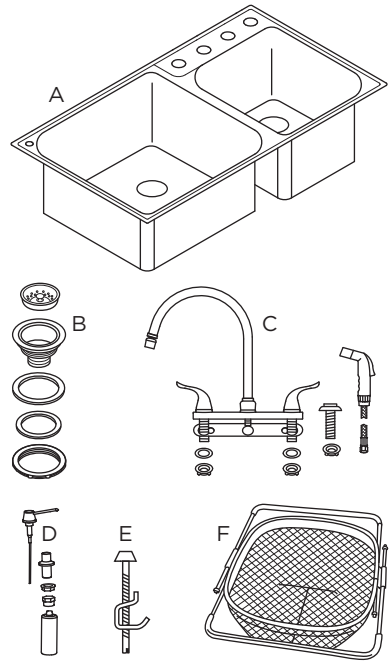
## ATTENTION:

Carefully check the unit prior to installation to ensure there is no damage. Do not dispose of any packaging until you are satisfied with this product.

1. Your installation must comply with all local plumbing building codes. Have a qualified tradesman do or approve your plumbing installation.
2. Please read and save this guide before using this product. Store the guide in a safe place so you will know where it is when you want to refer to it.

**WARNING:** Always wear safety goggles and gloves in order to avoid any personal injuries.

## Parts List



[A] Stainless steel sink.....	1 pc
[B] Strainer assembly.....	2 sets
[C] Faucet with sprayer assembly .....	1 set
[D] Soap dispenser assembly .....	1 set
[E] Topmount clips.....	1 pkg
[F] Colander .....	1 pc

## Tools and Materials Required

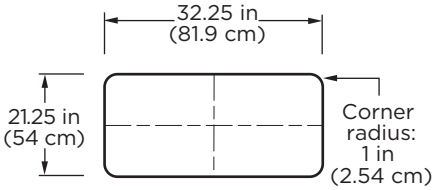
Tape measure  
Carpenter's square  
Pencil  
Saber-saw/Jig-saw  
Electric drill with 0.375 in (10 mm) drill bit and 2 in (51 mm) hole saw  
Pipe wrench  
Phillips screwdriver  
Plumber's putty  
Silicone sealant  
Hacksaw  
Teflon tape  
Tail pipe

## Counter Cutout

**NOTE: Check very carefully that the sink will cover all of the area traced for cutout.**

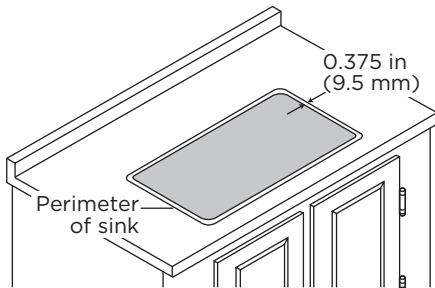
### REPLACEMENT SINK

If this sink is a replacement sink, ensure that the cutout in your counter top is 32.25 in. x 21.25 in. (81.9 cm x 54 cm) with rounded corners, as shown in the diagram below.



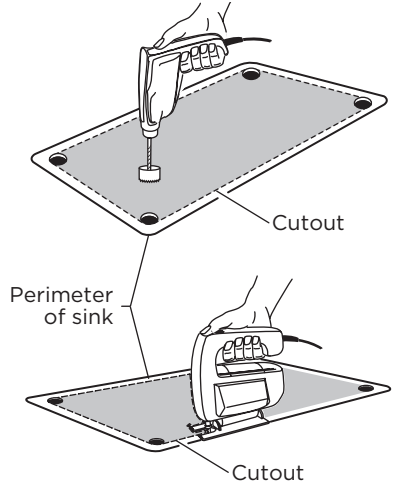
### NEW INSTALLATION

1. If this sink is being installed in a new counter top, place the sink upside down on the counter top. Centre the sink left to right on the cabinet, making sure that it will not interfere inside with the structure of the cabinet or the counter top. The unit should be placed so that it is parallel to the front of the counter top and clears the overhang of the counter top and the face of the cabinet.
2. Trace the outline of the sink.
3. Draw a new line 0.375 in. (9.5 mm) inside the outline. This will be the cut line. The size of the cut line should be 32.25 in. x 21.25 in. (81.9 cm x 54 cm). The cut line is smaller than the size of the sink and must have rounded corners. Do not cut the opening with square corners.

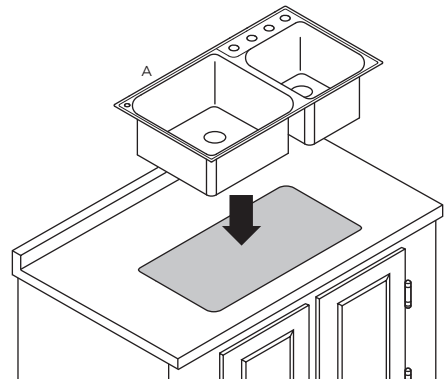


4. Using a 2 inch (51 mm) hole saw, carefully drill four corner holes inside the cut line. Use a saber-saw or jig-saw to cut along the cut line. Place a support underneath the cutout portion of the counter top to prevent it from falling during cutting.

Note: These instructions are for cutting Formica countertops only. Contact your countertop distributor for the best method of cutting other materials such as marble, hard synthetics, etc.

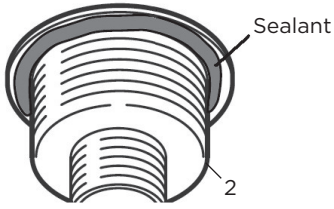


5. Insert the sink (A) into the hole in the counter top to test the fit. Make adjustments to the hole, if necessary.
6. Once the fit of the sink in the counter top is precise, place the sink on a blanket and proceed with the next step.

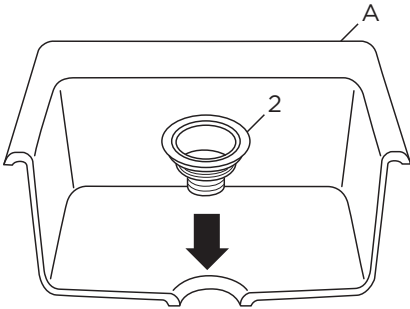


## Strainer Installation

1. Apply a sealing ring of plumber's putty to the underside of strainer flange.

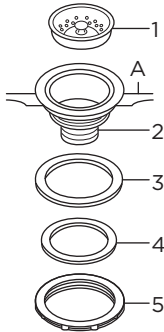


2. Insert the strainer body (2) into the sink (A).



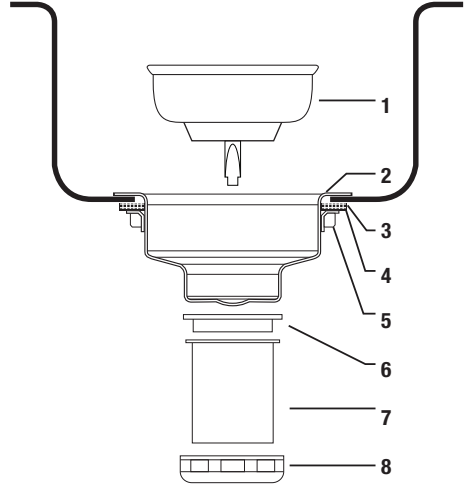
3. Assemble the rubber gasket (3), friction washer (4) and locknut (5) onto the strainer body (2) from under the sink (A).

- |   |                             |
|---|-----------------------------|
| 1 | Basket                      |
| 2 | Strainer body               |
| 3 | Rubber gasket               |
| 4 | Friction washer             |
| 5 | Locknut                     |
| 6 | Plastic flange              |
| 7 | Tail pipe<br>(not supplied) |
| 8 | Connecting<br>nut           |



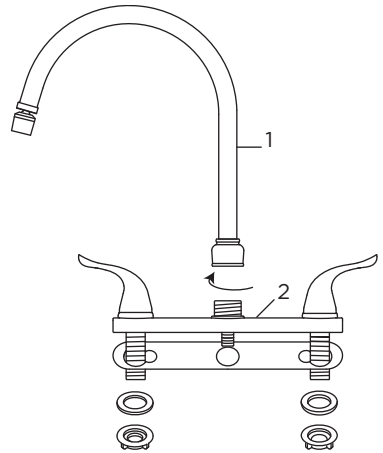
4. Hand tighten the locknut (5). Do not over tighten the locknut as it may split or deform the strainer body.

5. Assemble the plastic flange (6) and tail pipe (not supplied) (7) together. Attach the connecting nut (8), through the tail pipe (7) and plastic flange (6), to the lower threaded part of strainer body (2). Lock the connecting nut by hand. Do not over tighten.



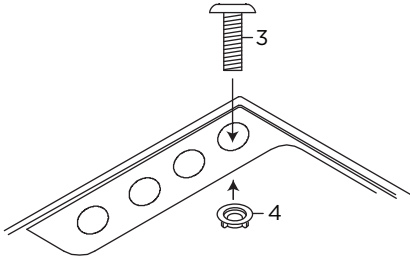
## Faucet and Sprayer Installation

1. Install the faucet (1) by inserting the bottom of the faucet with the O-ring on to the deck (2). Hand tighten the retaining collar clockwise.

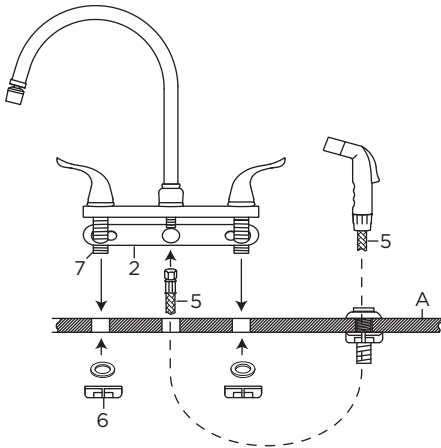


## Soap Dispenser Installation

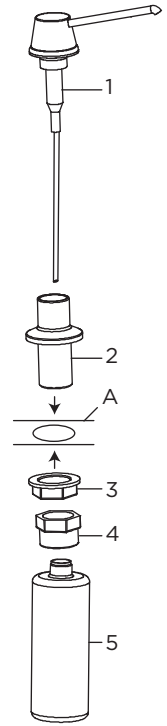
2. Insert the sprayer housing support (3) through the pre-drilled hole in the corner of the sink (A). Screw the nut (4) onto the threads of the sprayer housing support (3) and hand tighten.



3. Run the sprayer hose (5) down through the sprayer housing support (3) and up through the central faucet mounting hole. Connect the sprayer hose (5) to the deck (2) and tighten with a wrench. DO NOT OVER-TIGHTEN.
4. Install the deck (2) on to the sink (A) with hot to the left and cold to the right. From under the sink (A), thread the mounting nuts (6) onto the faucet shanks (7). Tighten the mounting nuts.



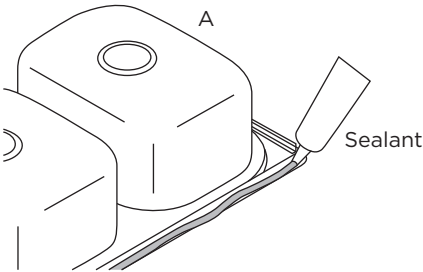
1. Insert the dispenser assembly (2) and pump top (1) through the pre-drilled hole on the top surface of the sink (A).
2. From the bottom of the sink, insert the bottom gasket (3) and lock nut (4) through the dispenser assembly (2). Hand tighten.
3. Screw the soap reservoir (5) into the dispenser assembly (2) to complete the installation.
4. To fill the reservoir, lift the pump top (1) straight up to remove it from dispenser assembly (2). Carefully pour in liquid soap to fill the reservoir, then replace pump top.



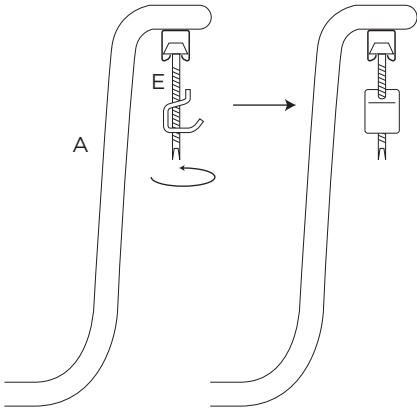
**CAUTION:** This unit is designed for use with household liquid soap only. Using any other soap or chemicals in this unit may damage the dispenser and void the warranty.

## Sink Installation

1. Test the whole assembly to see if it fits properly. Adjust the cutout if necessary.
2. Apply silicone sealant around the underside rim of the sink (A).

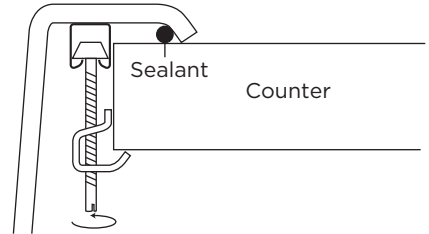


3. Insert the heads of the topmount clips (E) in the rails of the sink (A), making sure that the clips are flat against the sink. Place three clips in the front rail, three in the back rail and two in each side rail.

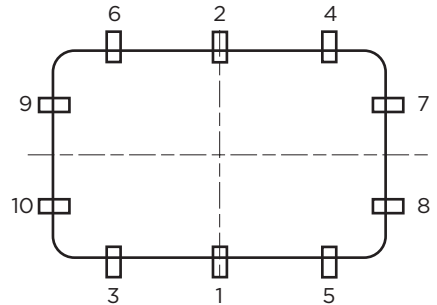


4. Swing the topmount clips (E) around so that their long sides are facing towards countertop. Tighten the screws until the sink rim is flush with countertop. See illustration below for tightening order.

Check the alignment of the sink (A) several times as you tighten to make sure that the front of the sink is parallel to the front of the counter top.



Tightening Sequence For Clips



5. Check all connections for leaks. Adjust and re-tighten, if necessary. Do not over-tighten. Wipe excess sealant with a rag. Connect the strainers to the drain pipe (connections not provided).

## Troubleshooting

If there is no water from the faucet, check that the valve is turned on and the water supply is normal.

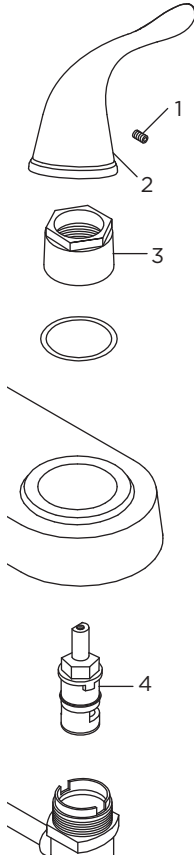
If there are any leaks, check that the washer is installed in the hose and that the hose is tightened.

## Care and Maintenance

### CARTRIDGE REPLACEMENT

If the washerless cartridge needs to be replaced in the future, follow these instructions to replace it:

1. Turn off the water supply to the faucet.
2. Remove the lever (2) by loosening the screw (1) with an Allen wrench. The cartridge cover (3) will then be exposed.
3. Carefully remove the cartridge cover (3) with a pipe wrench to reveal the washerless cartridge (4).
4. Remove the cartridge (4) and replace it with a new 0.79 in. (20 mm) washerless cartridge. Make sure the spindle of the cartridge is pointing through the center hole of the panel, otherwise the cartridge will not work.
5. Screw the cartridge cover (3) back on and replace the handle lever (2), tightening it in place with the screw (1) using an Allen wrench.





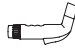

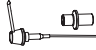
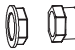

### CLEANING

Your sink is manufactured with the highest grade stainless steel and will provide you with many years of enjoyment with the proper care and maintenance.

1. After use, always rinse your sink with tap water to dilute and remove any deposit(s). Do not allow any residue of food, detergent, soap, grease or condiment to dry or sit for extended periods of time on the surface of the sink.
2. Towel dry after use when possible to prevent water spots. Should these occur, cleanse with a mild solution of vinegar and water followed by a good rinse.
3. Use liquid soap, a general household cleaner, or a weak solution of vinegar and water for regular cleaning. Never use abrasive products as they will dull and scratch the finish.
4. Scouring pads should be of a plastic nature recommended for use in stainless steel sinks. They should only be used in the bowls of the sink and the scrubbing should be done in the direction of the satin finish lines. Do not use scouring pads on the deck, as they will dull the mirror finish.
5. Never use steel wool pads, as they will leave iron particles on the sink and will lead to corrosion. For the same reason, never leave mild steel or cast iron pans on your sink for extended periods of time.

## Replacement Parts

If you are missing or require replacement parts, please call customer service at 1-877-333-0098 or email us at [customer.service@conglomkb.com](mailto:customer.service@conglomkb.com). Identify the required part(s) and have the replacement part number ready when you call.

Part Name	Part Number	Picture	Quantity
sink clips	QH0001		10
spray housing support kit	QH0006		1
sprayer	QH0007		1
sprayer hose	QH0008		1
dispenser pump top and assembly	QK014		1
dispenser lock nut and washer	QH0009		1
strainer assembly	QH0002		1

## Lifetime Parts and Finish Limited Warranty

All parts and finishes of this product are warranted to the original consumer purchaser to be free from defects in material and workmanship for as long as the original consumer purchaser owns their home. We recommend using a professional plumber for all installation and repair.

We will replace, free of charge, during the warranty period, any part or finish that proves defective in material and/or workmanship under normal installation, use and service.

Replacement parts may be obtained by calling 1-877-333-0098 (8:30 am - 5:00 pm EST) or through our website at [www.conglomkb.com](http://www.conglomkb.com).

This warranty is extensive in that it covers replacement of all defective parts and even finish, but these are the only two things that are covered. LABOR CHARGES AND/OR DAMAGE INCURRED INSTALLATION, REPAIR, OR REPLACEMENT, AS WELL AS ANY OTHER KIND OF LOSS OR DAMAGE ARE EXCLUDED. Proof of purchase (original sales receipt) from the original consumer purchaser must be supplied for all warranty claims. THIS IS THE EXCLUSIVE WARRANTY BY CONGLOM KITCHEN & BATH, WHICH DOES NOT MAKE ANY OTHER WARRANTY OF ANY KIND, INCLUDING THE IMPLIED WARRANTY OF MERCHANTABILITY.

This warranty excludes all industrial, commercial and business usage. Some states do not allow the exclusion or limitation of incidental or consequential damages, so the above limitation or exclusion may not apply to you. Any damages to this product as a result of misuse, abuse, or neglect or any use of other than parts supplied by Conglom Kitchen & Bath WILL VOID THE WARRANTY. This warranty gives you specific legal rights, and you may also have other right which vary from state to state.

Imported by:

**Conglom**  
KITCHEN • BATH

St-Laurent, Quebec, H4S 2C3  
1-877-333-0098  
[www.conglomkb.com](http://www.conglomkb.com)  
Made in Malaysia

*American Standard*

Style That Works Better