

*American  
Standard*

SKU: 466797 / QK025

Owner's Manual

## Stainless Steel Sink Dual Bowl

With Brushed Nickel Pull Down  
Faucet and Metallic Strainer



### THANK YOU

for selecting American Standard... the benchmark of fine quality for over 100 years. To ensure that your installation proceeds smoothly, please read these instructions carefully before you begin.

## Table of Contents

<b>Table of Contents</b>	<b>2</b>	<b>Package Contents</b>	<b>5</b>
<b>Safety Information</b>	<b>2</b>	<b>Installation</b>	<b>6</b>
<b>Warranty</b>	<b>3</b>	Undermount	6
One-Year Manufacturer Defect Warranty	3	Faucet	8
Warranty Claim Procedure	3	Topmount	10
<b>Pre-Installation</b>	<b>4</b>	<b>Care and Cleaning</b>	<b>12</b>
Planning Installation	4	Cartridge Replacement	12
Tools Required	4	<b>Service Part</b>	<b>13</b>
Parts Required	4		

## Safety Information

1. Your installation must comply with all local plumbing building codes. Have a qualified tradesman do or approve your plumbing installation.
2. Please carefully read this guide before installing or using this product. Store this guide in a safe place so you will know where it is when you want to refer to it.



**CAUTION:** Always wear safety goggles and gloves during installation to prevent personal injury.

## Warranty

### ONE-YEAR MANUFACTURER DEFECT WARRANTY

This stainless steel double-bowl sink is warranted to the original purchaser to be free of defects in material and workmanship for one (1) year from the date of purchase.

Our obligation shall be limited to the repair or replacement of a unit (at our discretion) that may prove, by our sole examination, to be defective under normal use and service during the warranty period. We may issue credit in the amount of the invoice value of the defective product (or a percentage of it according to use) in lieu of repair or replacement.

Any failure of this product that is not traceable to a defect in material or workmanship is not covered by this warranty. These non-warrantable items include, but are not limited to:

- Change in colour or finish due to chemical usage
- Damage due to the use of steel wool on the stainless steel surface
- Improper installation not in accordance with the manufacturer's instructions
- Dents, bumps, and scratches incurred during shipping, handling, or installation
- Damage caused by failure to follow care and cleaning guidelines
- Alterations made to the unit by the purchaser or installer
- Damage caused by accidental impact, fire, flood, freezing, or normal wear
- Bends and warping caused by forced connections, over-tightened fittings, and inadequate support during installation

A thorough inspection must be made before installation and any damage must be promptly reported. We will not be liable for failures or damage that could have been discovered or avoided by proper inspection and testing prior to installation.

Incidental repairs that would involve a minimum of time and effort on behalf of the purchaser will not be considered warranty work and no compensation will be deemed forthcoming.

This warranty is non-transferable and shall be voided if the unit is removed from its initial installation or if it is not installed following the manufacturer's instructions.

Under no circumstance shall we be held liable for personal injury or property damage resulting from improper installation or use of this product. We will not be held liable for inconvenience caused by loss of use of this product, costs incurred for labour materials, removal and installation of replacement units, or any other incidental or consequential damages. Costs relating to obtaining access for repair or replacement are the responsibility of the user.

This warranty does not extend to commercial and institutional installation or use.

### WARRANTY CLAIM PROCEDURE

If a claimable defect occurs, please contact our customer service team at 1-877-333-0098, 8:30 a.m. - 5 p.m., EST, Monday-Friday.

Before you make your claim call, please ensure you have:

- Description of the sink
- Proof of sale
- Details regarding the defect
- Name(s) and address(es) of the owner and installer

Claims must be filled out in writing and returned within six (6) months of the appearance of a defect. Failure to comply with this stipulation will make this warranty null and void. We reserve the right to a thirty-day (30) delay following the receipt of a claim in which to inspect the product. We assume no responsibility for labour costs, removing or replacing a previously installed product, transportation, or the return of a product.

## Pre-Installation

### PLANNING INSTALLATION



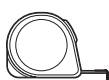
**CAUTION:** Always wear safety goggles and gloves during installation to prevent personal injury.

Inspect your unit before proceeding. Check the surface for any flaws or damage, including dents, bends, bumps, or scuff marks. If any damage is noticed, do not proceed with installation. Report any damage immediately.

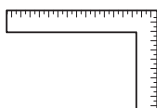
You may choose to install this sink either undermount (from below the counter) or topmount (from above the counter). You must install this sink only in a counter at least 36 in. (914 mm) wide with a solid surface that has a minimum thickness of at least 3/4 in. (19 mm).

Protect the entire surface of the product during installation to prevent damage.

### TOOLS REQUIRED



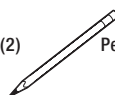
Measuring tape



Carpenter's square



Wrenches (2)



Pencil



Saber-saw  
or Jig-saw



Electric drill with  
3/8 in. (10 mm) drill  
bit and 1 in. (25.4  
mm) or 3 in. (76.2  
mm) hole saw



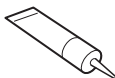
Pipe wrench



Phillips  
screwdriver



Plumber's putty



Silicone sealant



Hacksaw



Teflon tape



Safety goggles

### PARTS REQUIRED



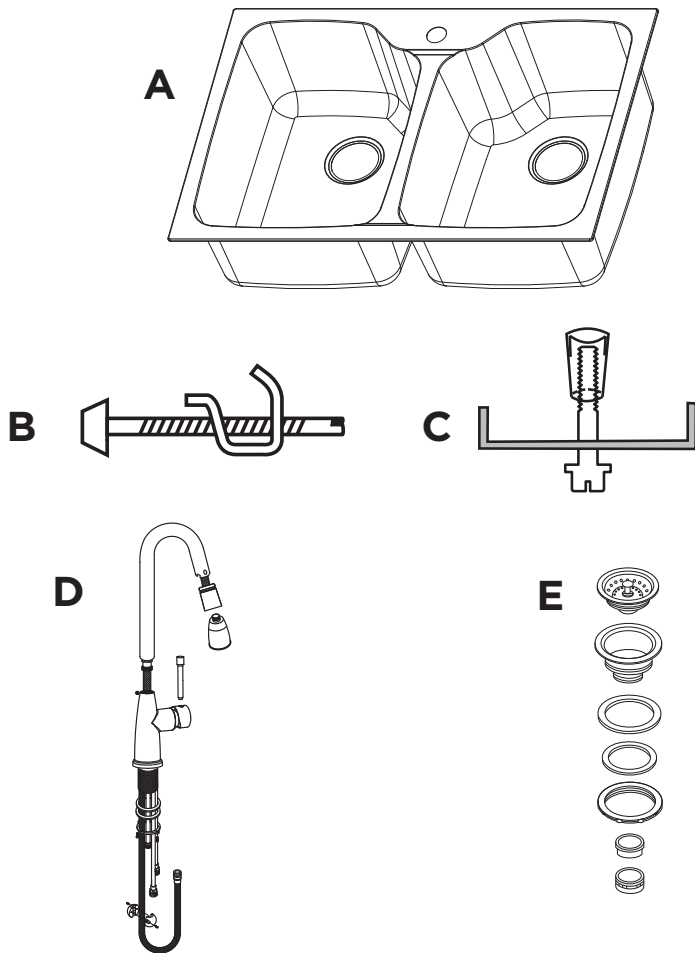
**NOTE:** Parts not shown to actual size.



Tail Pipe (2)

## Pre-Installation (continued)

### PACKAGE CONTENTS



Part	Description	Quantity
A	Stainless steel sink	1
B	Topmount clamps	10
C	Undermount clamps	10
D	Faucet	1
E	Strainer	2

## 1 Creating the template



**NOTE:** Undermount sinks are mounted from below the counter. If you are installing a topmount or “drop-in” sink, please see “installation-topmount” on page 10.



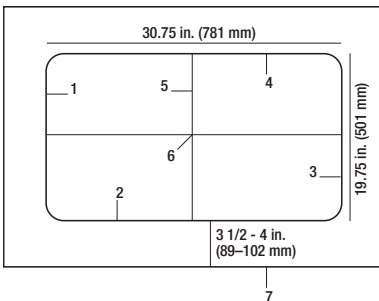
**NOTE:** It is highly recommended that undermounting be performed by a professional installer. Improper installation will void the warranty.

- Using a carpenter’s square, draw a line (5) from front to back on the bottom of the counter to indicate the location of the center of the sink.
- Draw a line (2) parallel to the front edge of the counter to indicate how far back the sink should be located from the front of the counter (7). Typical setback is 3 1/2 - 4 in. (89 - 102 mm) from the front of the counter, depending on the cabinet structure, the counter overhang, the type of sink bowl, and the deck size.
- On a piece of cardboard or paper, draw a rectangle of the same size as the hole that you will cut out to accommodate the sink. As this sink is 33 in. x 22 in. (838 mm x 559 mm), we recommend that you use a template size of 30 3/4 in. x 19 3/4 in. (781 mm x 501 mm) with a rounded corner radius of 2 in. (51 mm).



**NOTE:** The flat mating surface of the sink that will touch the underside of your counter is 1 1/8 in. (29 mm) wide on all four sides.

- Mark the center point (6) of the sink on the template.
- Cut the template out of the piece of cardboard or paper.

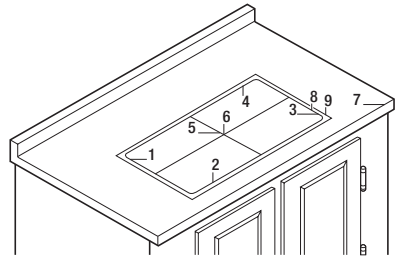


## 2 Cutting the counter



**CAUTION:** Always wear safety goggles and gloves when using power tools to prevent personal injury.

- Place the template (8) on the counter with its front (2) parallel to the front of the counter (7). Ensure that it is placed so that the sink will clear all objects and the mounting hardware can be installed. Make sure there is a minimum of 3 in. (76.2 mm) of space underneath on all four sides for the undermount clips (1).
- Stick a line of tape (9) around the template, and trace the template onto the tape with a pencil.
- Double check the location of the cut line before removing the template.
- Use a saber-saw or jig-saw to cut along the cut line. Place a support underneath the cut-out portion of the counter to prevent it from falling during cutting.



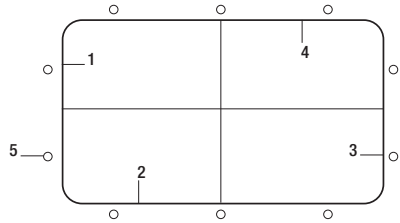
## Installation - Undermount (continued)

### 3 Drilling the holes for the undermount clips



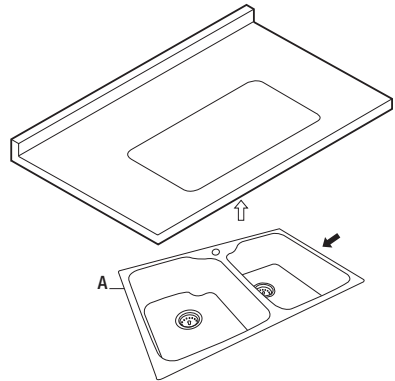
**CAUTION:** Always wear safety goggles and gloves when using power tools to prevent personal injury.

- On the underside of the counter, mark the location of the ten holes (5) for the undermount clips (I). These holes should be equally spaced around the perimeter of the cutout with three each on sides 2 and 4 and two each on sides 1 and 3. They should be set back from the cutout opening by 1 1/2 in. (38 mm).
- Using an electric drill with a 3/8 in. (10 mm) drill bit, drill each hole so that it is 3/8 in. (10 mm) in diameter and 5/8 in. (15.8 mm) deep.



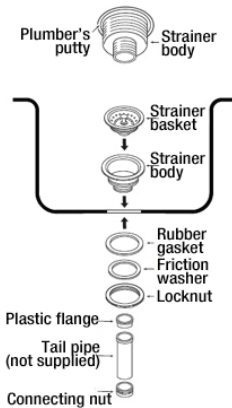
### 4 Testing the fit of the sink

- Place the sink (A) underneath the cutout in the counter to test its fit. Ensure that the reveal is equal on all four sides when viewed from above. Make adjustments to the cutout if necessary.
- When you are satisfied with the location of the sink (A), mark the location of the edge of the counter cutout on at least two sides of the lip of the sink.



### 5 Installing the strainers

- Apply a sealing ring of plumber's putty to the underside of strainer flange and insert the strainer body in the sink.
- Assemble the rubber gasket, friction washer and locknut onto the strainer body from under the sink.
- Hand tighten the locknut. Do not over tighten the locknut, as it may split or deform the body of the strainer.
- Assemble plastic flange and tail pipe (not supplied) together, then engage the connecting nut through the tail pipe and flange to the lower threaded part of strainer body and lock connecting nut by hand. Do not over tighten the nut.

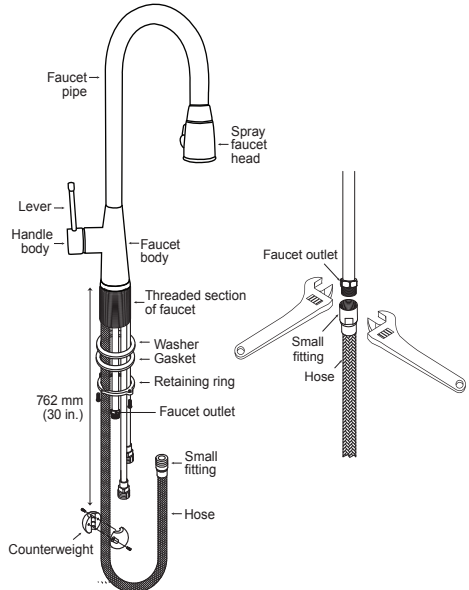


faucet body, ensuring that the washer and gasket are removed with the retaining ring.

- Install the faucet through the hole in the sink, by first threading the hose through the hole, then placing the base of the faucet through the hole. A second person may be required to hold this in place until the faucet installation is complete.
- From underneath, slide the washer and gasket, then the retaining ring, over the free end of the hose. Slide them up to the exposed threaded section of the faucet.
- Tighten the retaining ring by hand until it is snug. Using a wrench or pliers, tighten the assembly. Gently tighten the two screws on the retaining ring. Do not over tighten.
- Attach the end of the hose with the small fitting onto the faucet outlet and hand tighten. Then, using one wrench on the hexagonal nut of the faucet outlet and another on the hose nut, tighten the two ends together. Tightening with just a single wrench may deform the hose nut.
- Install the counterweight on the hose about 762 mm (30 in.) from the underside of the faucet. This can be adjusted based on your own requirements, but this is the normal location.
- The lever and screw rod have been installed before shipment. If the handle body becomes loose over time, remove the lever and, using the supplied Allen wrench, tighten the screw rod.

### 6 Installing the faucet

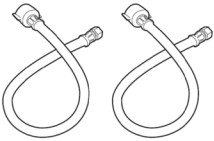
- Thread the hose through the faucet pipe, by first inserting the small fitting.
- Thread the hose through the faucet body, by also first inserting the small fitting.
- Screw the end of the faucet pipe with the nut onto the faucet body. Tighten the screw with the supplied screw driver.
- Hold the end of the hose with large fitting with one hand and, with the other hand, hand tighten the spray faucet head clockwise onto the large fitting. Push the hose in so that the head aligns properly with the notches on the faucet pipe.
- Unscrew the retaining ring from the bottom of the





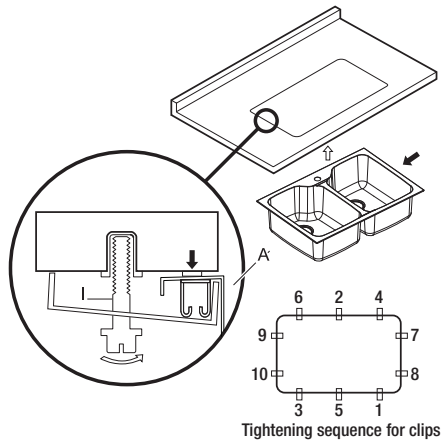
### 7 Supply line installation

The supply lines, which connect the faucet to the household water system, are not supplied with this unit. They need to be purchased separately. Follow the supply line manufacturer's instructions for proper installation.



### 8 Installing the sink

- Put the threaded inserts on the bolts of the undermount clips (I) loosely in the holes that you drilled for them in the underside of the counter.
- Ensure that the clamps of the undermount clips (I) are turned so that they do not interfere with the placement of the sink.
- Place a small bead of silicone sealant (not included) around the upper lip of the sink (A).
- Carefully place the sink (A) into its location under the counter, lining up the pencil marks on the lip of the sink that you made when you tested the fit of the sink.
- Carefully rotate the clamps of the undermount clips (I) over the clamp bar on the sink (A) and gently tighten the bolts of the undermount clips (I), working from side to side to fasten the sink (A) firmly. Recheck the alignment visually from above.
- Wipe away any excess silicone and, for best results, allow the bond to rest undisturbed for 8 hours or overnight.
- Install the counter as directed by the manufacturer and install all other plumbing as required.

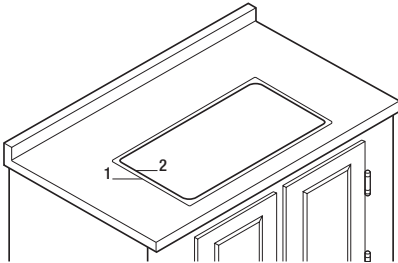
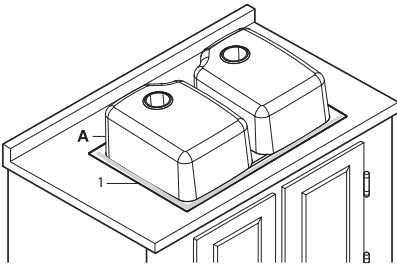


# 1 Creating the template



**NOTE:** Topmount sinks are dropped into the counter from above. If you are installing an undermount sink, please see "Installation - Undermount" on page 6.

- Place the sink (A) upside down on the counter. Center the sink (A) on the counter so that it is parallel to the front of the counter, ensuring that it will not interfere with the inside structure of the cabinet or the counter. It must clear the overhang of the counter and the front inside face of the cabinet.
- Trace the outline of the sink (A) with a pencil.
- Draw a new line (2) 3/8 in. (9.5 mm) inside the first line (1). This will be the cut line. As this sink is 33 in. x 22 in. (838 mm x 559 mm), the cut line should be 32 1/4 in. x 21 1/4 in. (819 mm x 540 mm).

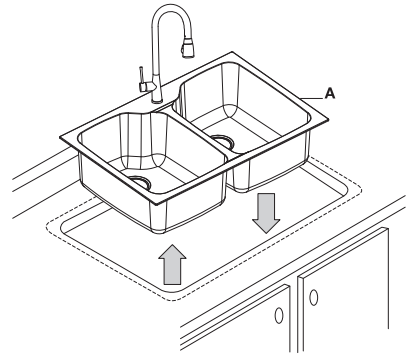
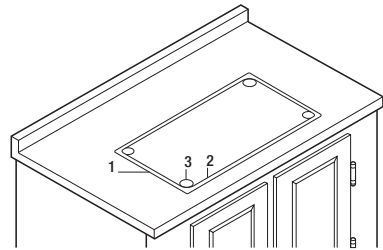


# 2 Cutting the counter



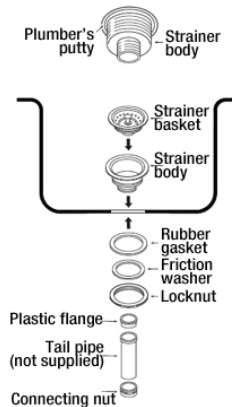
**CAUTION:** Always wear safety goggles and gloves when using power tools to prevent personal injury.

- Using an electric drill with a 1 in. (25.4 mm) hole saw, carefully drill four holes (3) inside the cut line.
- Use a saber-saw or jig-saw to cut along the cut line (2). Place a support underneath the cut-out portion of the counter to prevent it from falling during cutting.
- Insert the sink (A) into the cutout in the counter to test the fit. Make adjustments to the cutout, if necessary.



### 3 Installing the strainers

- Apply a sealing ring of plumber's putty to the underside of strainer flange and insert the strainer body in the sink.
- Assemble the rubber gasket, friction washer and locknut onto the strainer body from under the sink.
- Hand tighten the locknut. Do not over tighten the locknut, as it may split or deform the body of the strainer.
- Assemble plastic flange and tail pipe (not supplied) together, then engage the connecting nut through the tail pipe and flange to the lower threaded part of strainer body and lock connecting nut by hand. Do not over tighten the nut.

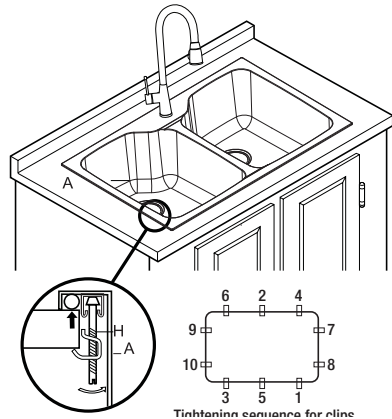


### 4 Installing the sink



**NOTE:** Install the faucet according to the instructions before this step. See page 8.

- Apply silicone sealant (not included) around the underside of the lip of the sink (A) on all four sides.
- Carefully lower the sink (A) into the counter, ensuring that the factory installed topmount clips (H) do not catch on the counter edges.
- Slide each topmount clip (H) along the rails so that they are evenly spaced around the sink (A).
- Swing the clamps on the topmount clips (H), and tighten the screws progressively until the sink rim is flush with the counter. Check the alignment as you tighten so that the front of the sink (A) is parallel to the front of the counter. Adjust and re-tighten if necessary. Do not over tighten.
- Wipe away the excess sealant with a rag.



## Care and Cleaning

Your sink is manufactured with the highest grade stainless steel and will provide you many years of enjoyment with the proper care.

### Do

- After use, always rinse your sink with tap water to dilute and remove deposits.
- Towel dry the sink after use whenever possible to prevent water spots. Should water spots occur, clean with a mild solution of vinegar and water followed by a thorough rinse.
- Use liquid soap, a general household cleaner, or a weak solution of vinegar and water for regular cleaning.
- Only use plastic scouring pads recommended for use in stainless steel sinks, and only use them in the bowl of the sink. Scrub in the direction of the satin finish lines.

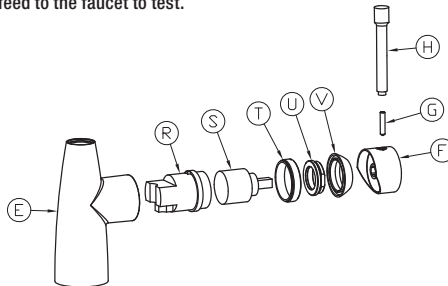
### Do Not

- Do not allow any food, detergent, soap or grease to dry or sit for extended periods of time on the surface of the sink.
- Never use abrasive cleaning products, as they will dull and scratch the finish.
- Do not use scouring pads on the deck, as they will dull the mirror finish.
- Never use steel wool pads, as they will leave iron particles on the sink, which will cause corrosion.
- Never leave mild steel or cast iron pans on your sink for extended periods of time, as this can cause corrosion.

## Cartridge Replacement

If in the future the ceramic cartridge needs to be replaced:

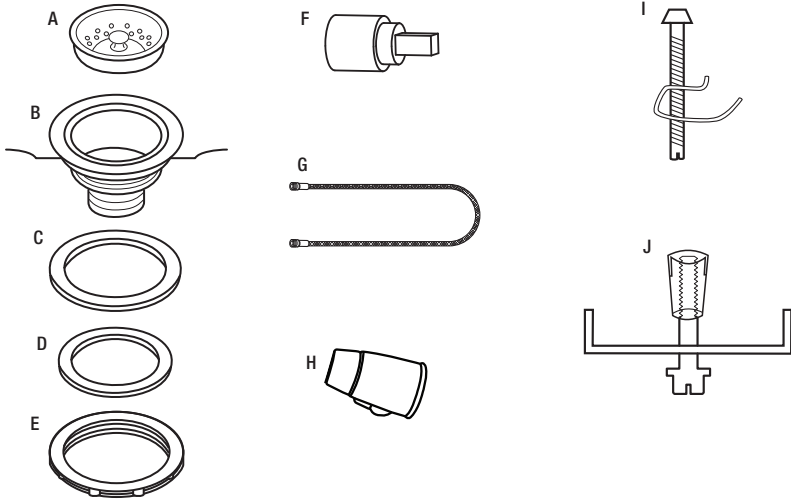
1. Turn off the water supply to the faucet.
2. Remove the lever (H) by hand. Loosen the screw rod (G) with the Allen wrench provided and pull out the handle body (F). The top lever of the cartridge (S) will be exposed.
3. Unscrew the cap (V) and rings (U, T), making sure not to damage the threads.
4. Pull the cartridge (S) out and replace it with a new 35mm ceramic cartridge.
5. Replace the rings (T, U), then the cap (V). Then place the handle body (F) on the cartridge. Hand tighten the Screw rod (G) back onto the handle body (F), then tighten it with the Allen wrench. Do not over tighten. Tighten the lever (H) back on.
6. Slowly open the water feed to the faucet to test.



## Service Parts

### STAINLESS STEEL DUAL BOWL SINK

If you are missing parts or if you require replacement parts, please call our customer service team at 1-877-333-0098, 8:30 a.m. - 5 p.m., EST Monday-Friday. Identify the required part(s) and have the part number(s) ready.



Part	Description	Part Number	Quantity
A	Strainer basket	QH0213	1
B	Strainer body	QH0214	1
C	Rubber gasket	QH0215	1
D	Friction washer	QH0216	1
E	Locknut	QH0217	1
F	Ceramic cartridge	QH0218	1
G	Hose	QH0219	1
H	Spray faucet head	QH0220	1
I	Topmount clamps	QH0221	10
J	Undermount clamps	QH0222	10

# American Standard

Questions, problems, missing parts?  
Before returning to the store, call Customer Service  
8:30 a.m. - 5 p.m., EST, Monday-Friday

**1-877-333-0098**

**CONGLOMKB.COM**

Retain this manual for future use.

Made in China