

# Rubbermaid®

## 5H80

Congratulations and thank you for the purchase of your Rubbermaid 7' x 7' storage building. Before you begin assembly please be sure to check your local building codes, ordinances and restrictions, and applicable neighborhood governances.

### **BEFORE YOU BEGIN – SURFACE PREPARATION**

To ensure proper assembly and performance your shed needs to be built on a solid, level surface. A cement or patio surface, or a treated-wood platform is recommended.

### **BEFORE YOU BEGIN – LOCATION**

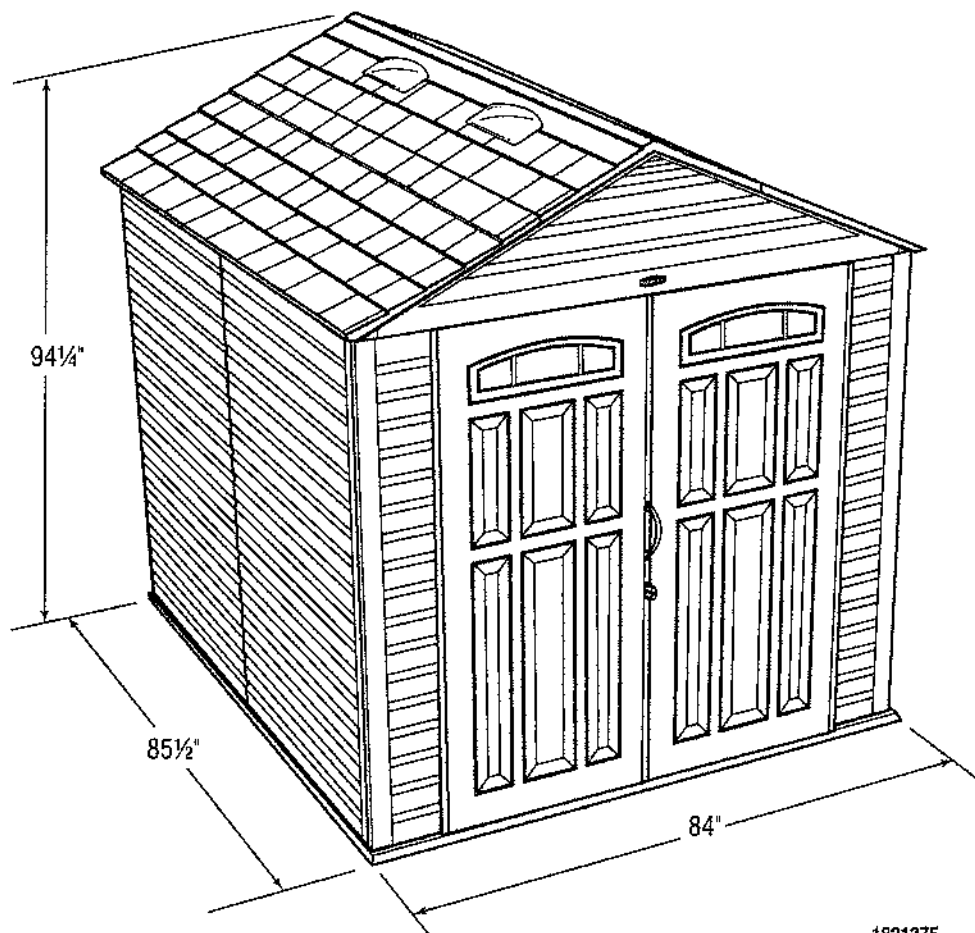
When choosing a location in your yard make sure you choose an area with easy access and one that provides proper drainage for water to run away from the shed location.

Prior to beginning the assembly please complete the following items:

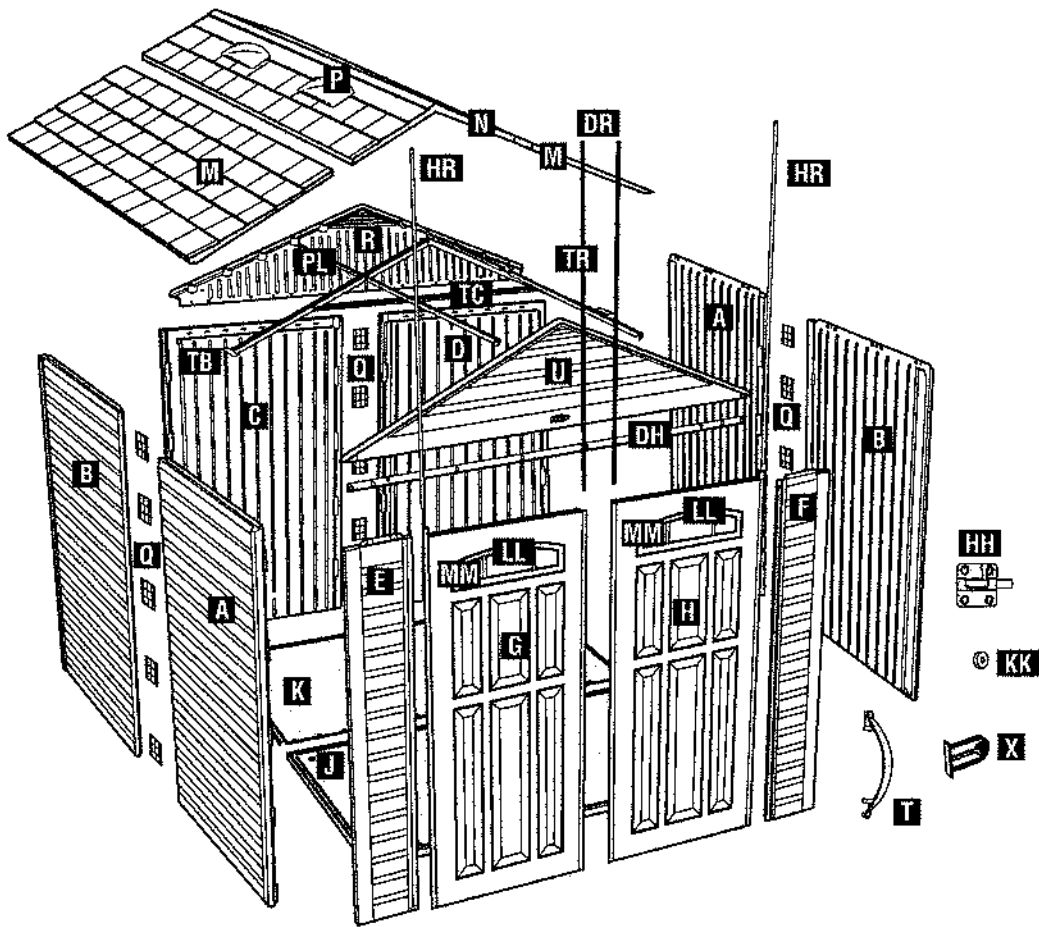
- Thoroughly review all assembly steps (it is important that the steps are followed in the correct order).
- Review the parts list and make sure that no parts are missing.

### **IMPORTANT – DO NOT RETURN TO THE STORE**

For assistance with your Rubbermaid® Storage Building or for additional product information call our toll-free Consumer Service number: 1-888-895-2110 M-F 8:30AM to 5:00PM EST or visit us online at: [www.rubbermaid.com](http://www.rubbermaid.com).



1821375

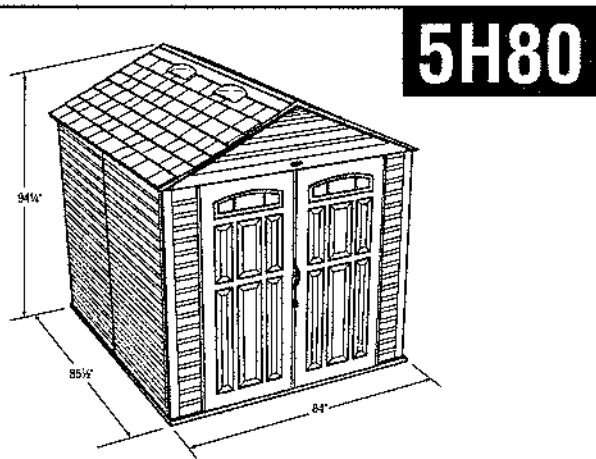


Description	Assembly Letter	Quantity
<b>Floor</b>		
Front Floor	J	1
Back Floor	K	1
<b>Walls</b>		
Side Panel "A"	A	2
Side Panel "B"	B	2
Left Back Panel	C	1
Right Back Panel	D	1
Left Front Panel	E	1
Right Front Panel	F	1
Wall Connector	Q	15
<b>Doors</b>		
Left Door Panel	G	1
Right Door Panel	H	1
Door Reinforcement	DR	2
Hinge Reinforcement	HR	2
Door Window	LL	2
Gasket for Door Window	MM	2
Lock Hasp	X	1
Door Handle	T	1
Door Magnet	KK	2
Barrel Bolt	HH	2
<b>Roof</b>		
Lower Roof Panel - 7'	M	2
Upper Roof Panel - Underlap - 7'	N	1
Upper Roof Panel - Overlap - 7'	P	1
Front Gable	U	1
Back Gable	R	1
Skylight	L	4
Gasket for Skylight		4
Door Header Support	DH	1
Truss Rafter	TR	2
Truss Collar Tie	TC	1
Truss Bracket	TB	2
Purlin	PL	4
<b>Hardware</b>		
#14 x 3/4" Combo Pan Head Screw	AA	136
#6 x 1/2" Combo Pan Head Screw	BB	22
#8 SAE Flat Washer	CC	22
1/4-20 x 1.0" Hex Bolt	DD	11
1/4-20 Hex Nylon Lock Nut	EE	11
Roof Pin	FF	6
Roof Pin Assembly Tool	GG	1

**Required Tools**

- Safety Glasses
- Gloves
- Utility Knife
- Rubber Mallet
- Phillips Screwdriver
- Drill
- Liquid Soap
- (2) Step Stools/Stepladders

**Two Person Assembly**



**5H80**

**Rubbermaid®**  
**7' x 7' RESIN STORAGE BUILDING ASSEMBLY**

**Prereassembly:**

- Review ALL assembly steps before beginning construction.
- Review the parts list and make sure that no parts are missing.

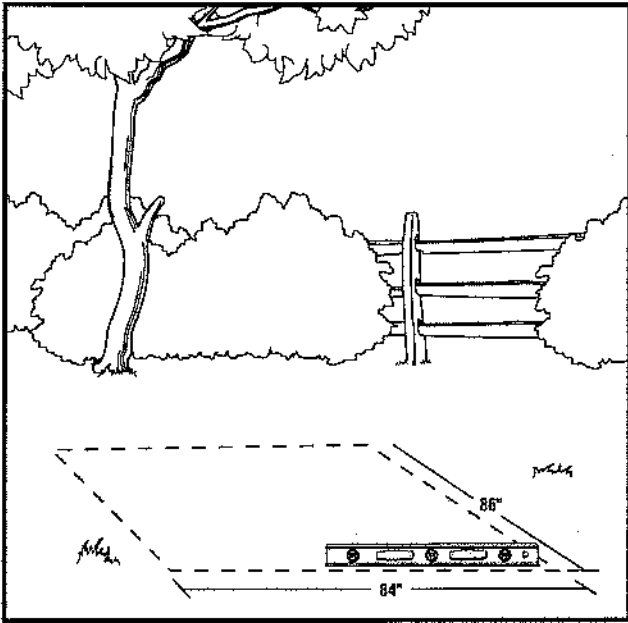
**NOTE:**

- To simplify assembly and to ensure proper engagement of all components, apply a mild detergent to dovetail and snap fits before assembling.

# 1

Build a solid, level surface for the shed foundation; minimum foundation dimensions are shown. Consult your local building authority for ordinances or restrictions before building any structure at your home.

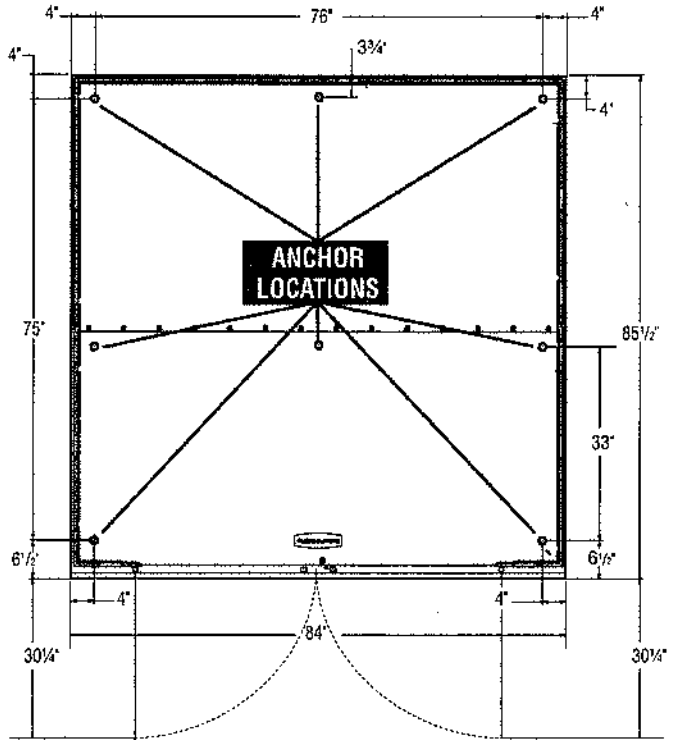
**Note:**  
Minimum dimensions for foundations shown.



**FLOOR PLAN:**  
Size the construction site to fit the entire floor.

**OPTIONAL STEP:**

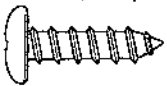
If desired, recessed anchor locations (8 places) can be used to anchor the shed floor to a foundation after Step 2.



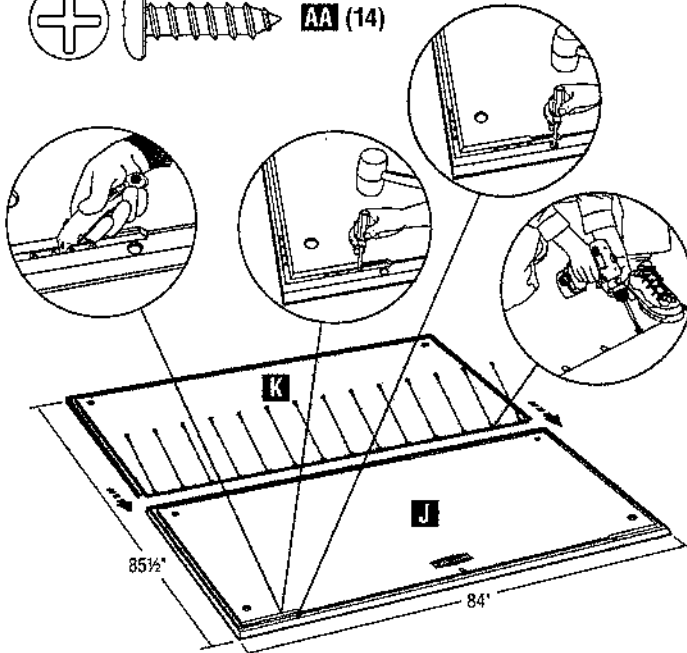
# 2

Place the Front Floor (J) on the foundation. Connect Front Floor (J) to Back Floor (K), install Screws (AA) 14 places. Using a screwdriver, knock out the tabs for the door hinge 2 places on Front Floor (J). Using a utility knife, cut the long sides of each wall slot tab and then use a screwdriver to knock it out 8 places on Front Floor (J) and 12 places on Back Floor (K).

**Optional Step:**  
If desired, recessed anchor locations (8 places) can be used to secure the Floor to the Foundation, see Step 1.



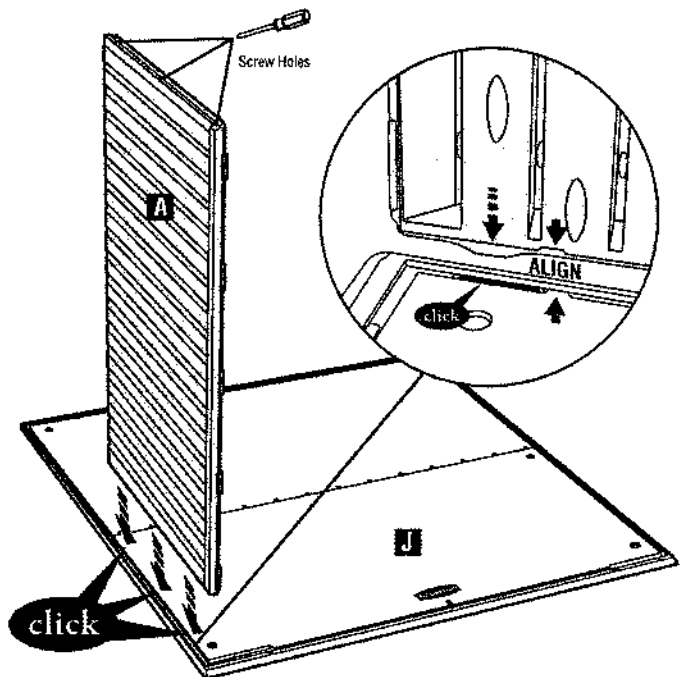
**AA (14)**



**Caution:** When installing screws, do not overtighten.  
**Caution:** Always use gloves when using the utility knife.

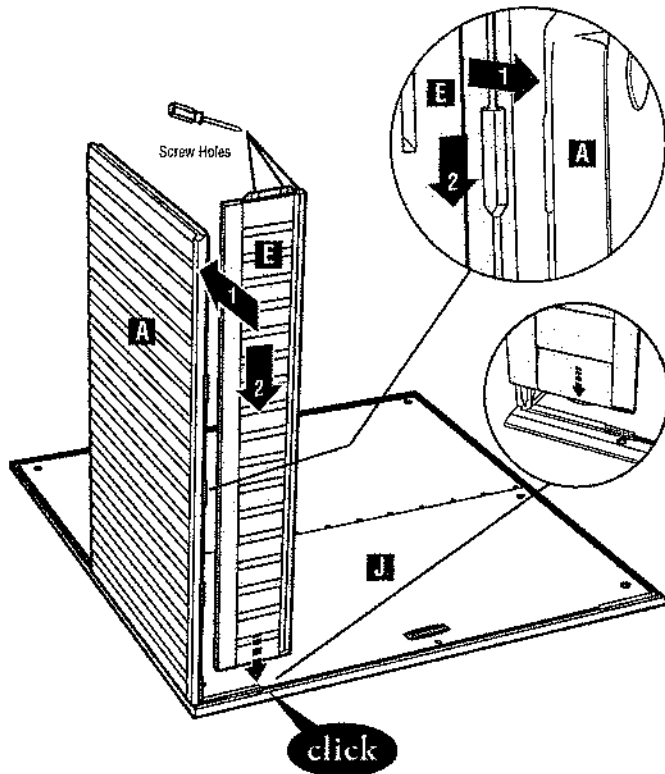
# 3

Using a screwdriver, punch out the screw holes on the top of Side Panel (A) 3 places. Snap Side Panel (A) into Front Floor (J). Hold Side Panel (A) to prevent it from falling.

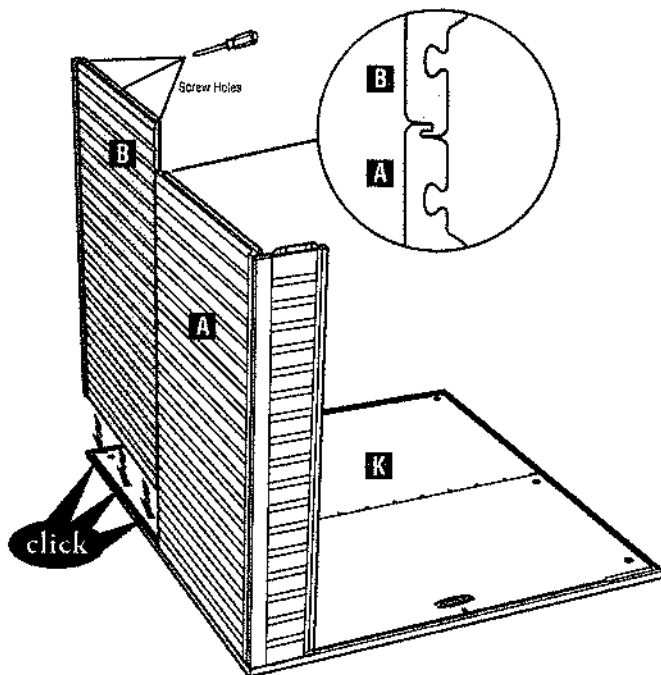


**4**

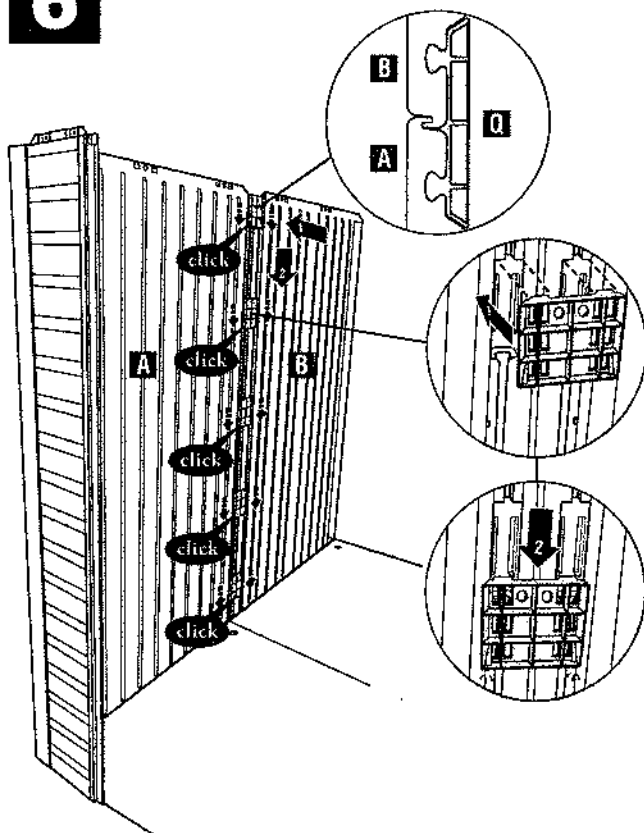
Using a screwdriver, punch out the screw holes on the top of Left Front Panel (E) 3 places. Lubricate dovetails on Side Panel (A) 5 places with liquid soap. Connect Left Front Panel (E) onto dovetails of Side Panel (A). Engage snap on bottom of Left Front Panel (E) into Front Floor (J).

**5**

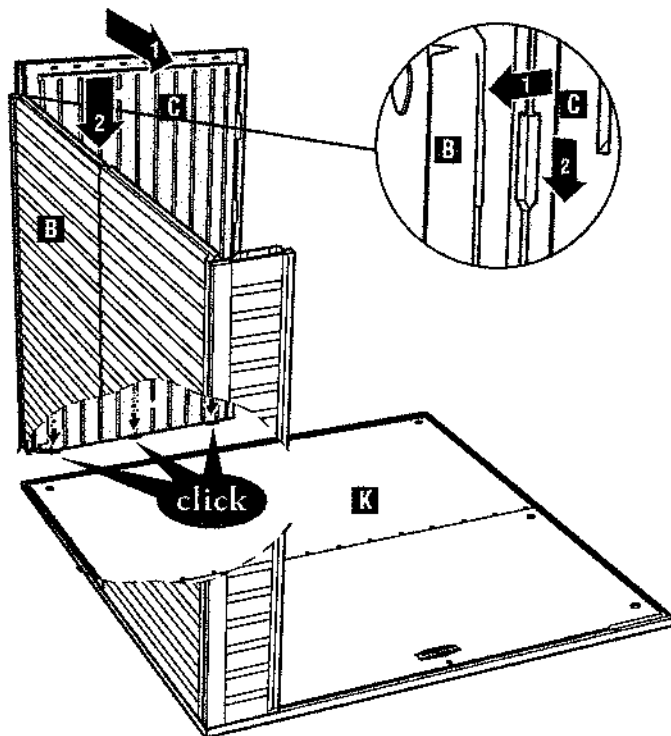
Using a screwdriver, punch out the screw holes on the top of Side Panel (B) 3 places. Align the lap joint between Side Panel (A) and Side Panel (B). Snap Side Panel (B) into Back Floor (K).

**6**

Install Wall Connector (Q) 5 places.

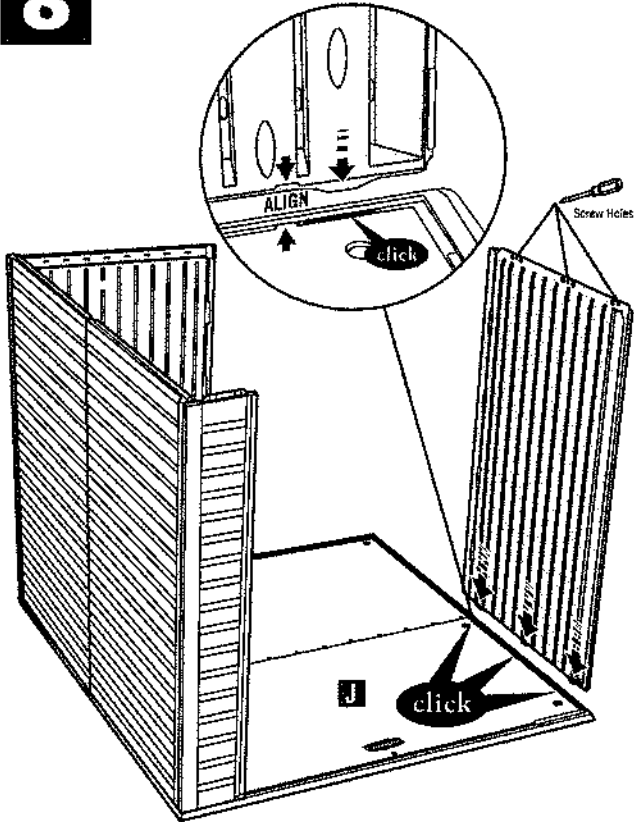
**7**

Lubricate dovetails on Side Panel (B) 5 places with liquid soap. Connect Left Back Panel (C) onto dovetails of Side Panel (B). Engage snaps on bottom of Left Back Panel (C) into Back Floor (K).

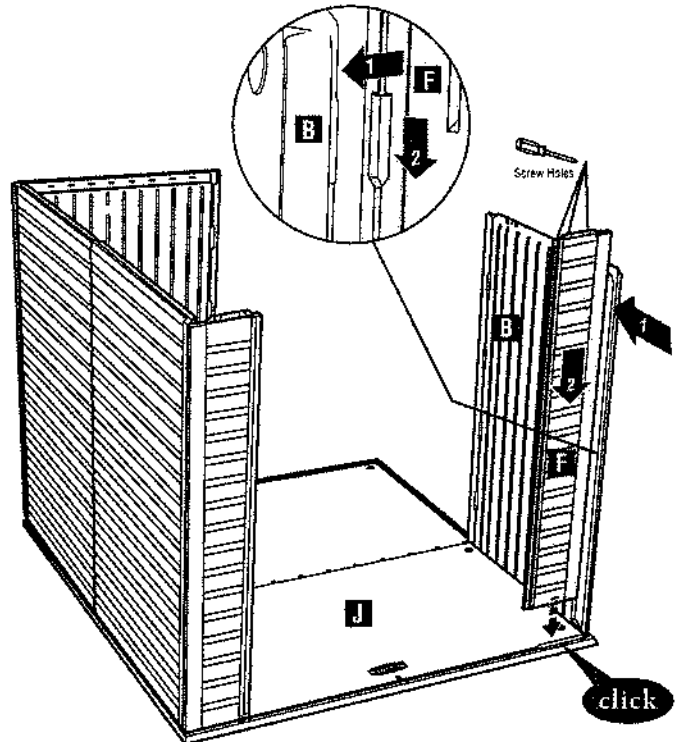


**8**

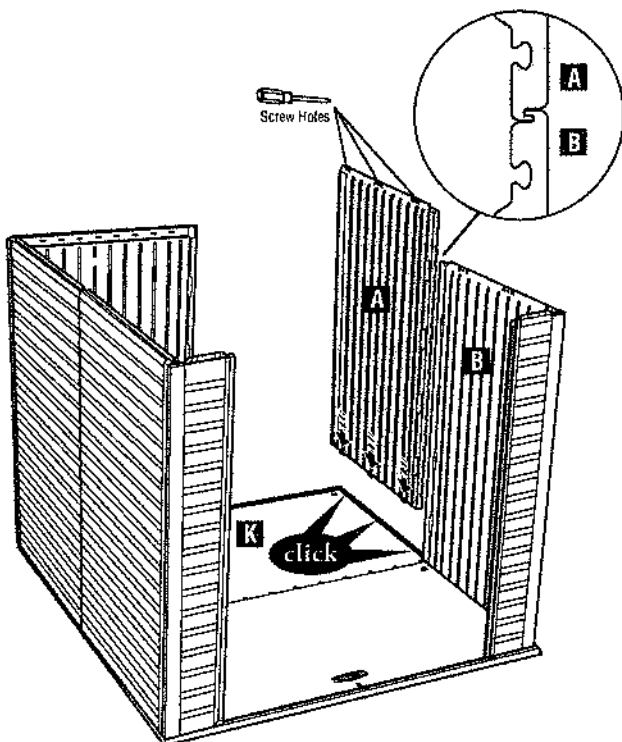
Using a screwdriver, punch out the screw holes on the top of Side Panel (B) 3 places. Snap Side Panel (B) into Front Floor (J). Hold Side Panel (B) to prevent it from falling.

**9**

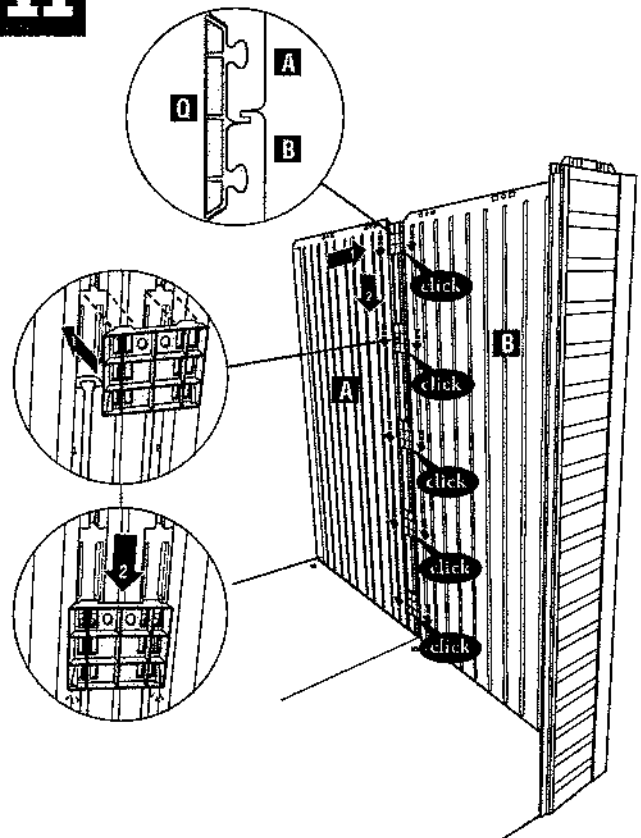
Using a screwdriver, punch out the screw holes on the top of Right Front Panel (F) 3 places. Lubricate dovetails on Side Panel (B) 5 places with liquid soap. Connect Right Front Panel (F) onto dovetails of Side Panel (B). Engage snap on bottom of Right Front Panel (F) into Front Floor (J).

**10**

Using a screwdriver, punch out the screw holes on the top of Side Panel (A) 3 places. Align the top joint between Side Panel (A) and Side Panel (B). Snap Side Panel (A) into Back Floor (K).

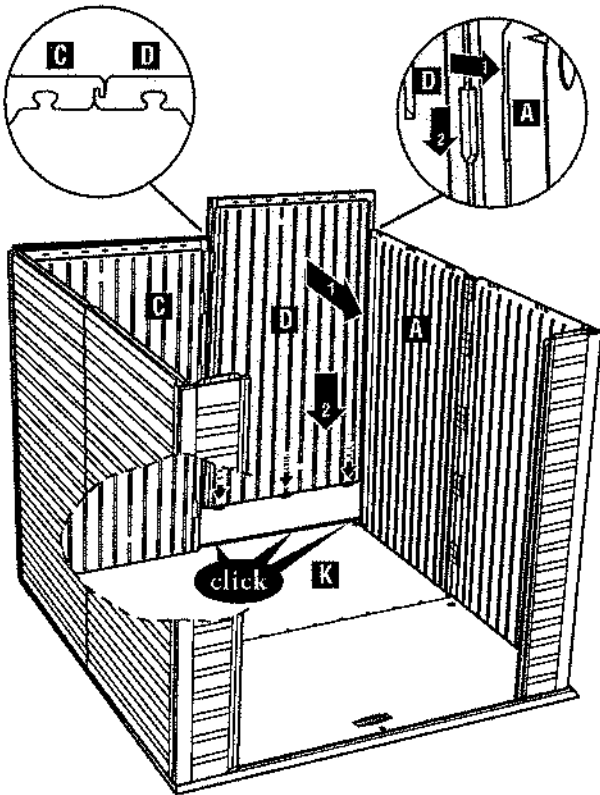
**11**

Install Wall Connector (Q) 5 places.



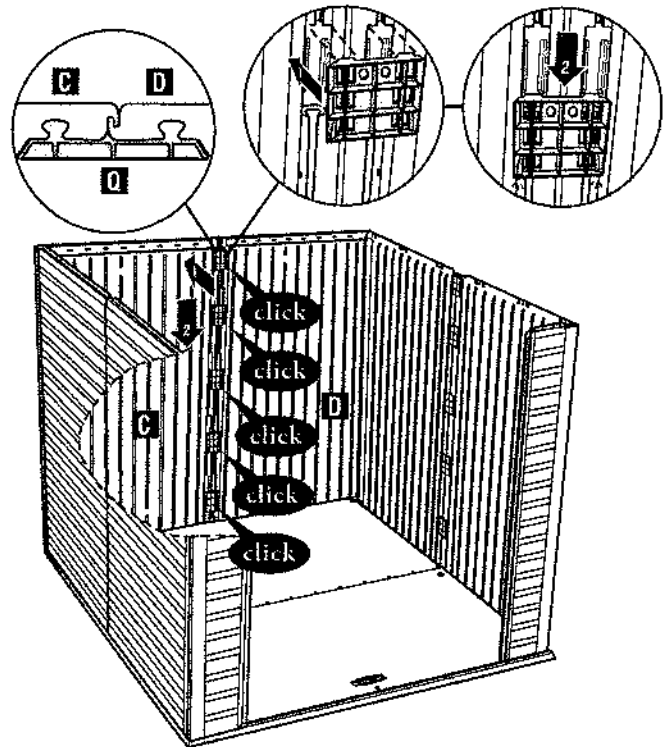
# 12

Lubricate dovetails on Side Panel (A) 5 places with liquid soap. Connect Right Back Panel (D) onto dovetails of Side Panel (A). Align the lap joint between Left Back Panel (C) and Right Back Panel (D). Snap Right Back Panel (D) into Back Floor (K).



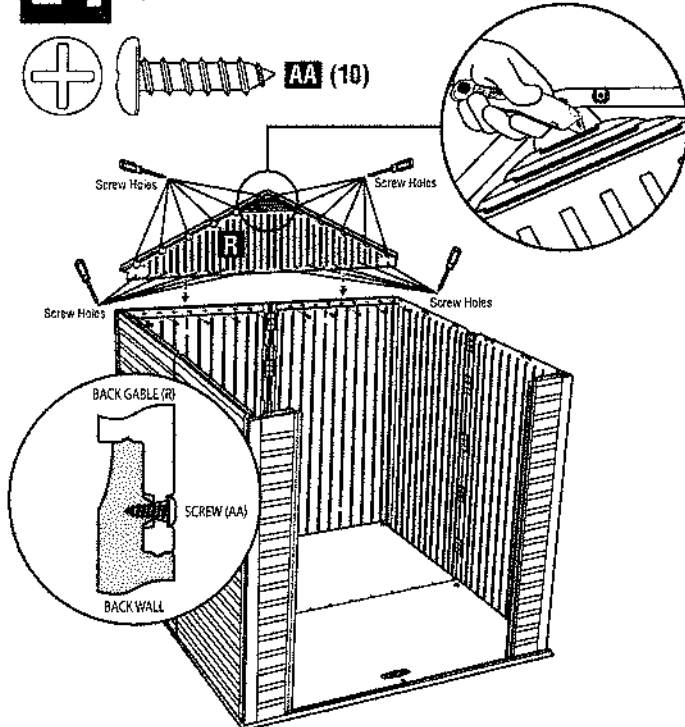
# 13

Install Wall Connector (Q) 5 places.



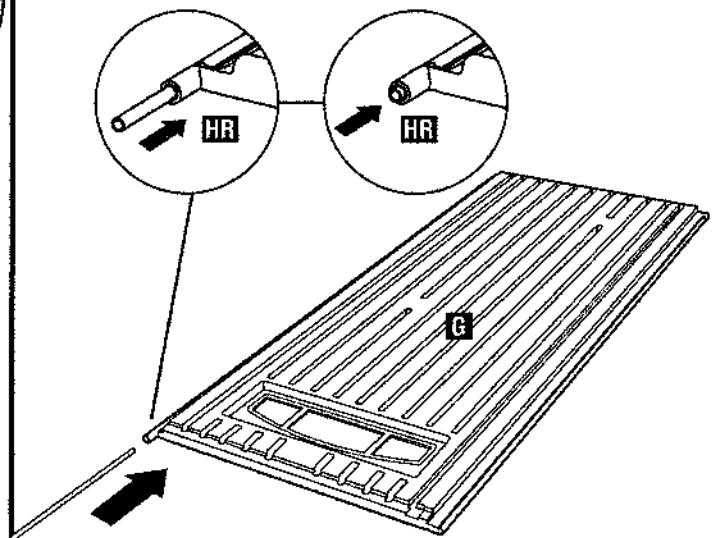
# 14

Using a screwdriver, punch out the screw holes around the perimeter of Back Gable (R) 22 places. If venting is desired, use the utility knife to cut out vent slots 3 places from inside of gable before assembly. Connect Back Gable (R) onto the back wall, install Screws (AA) 10 places.



# 15

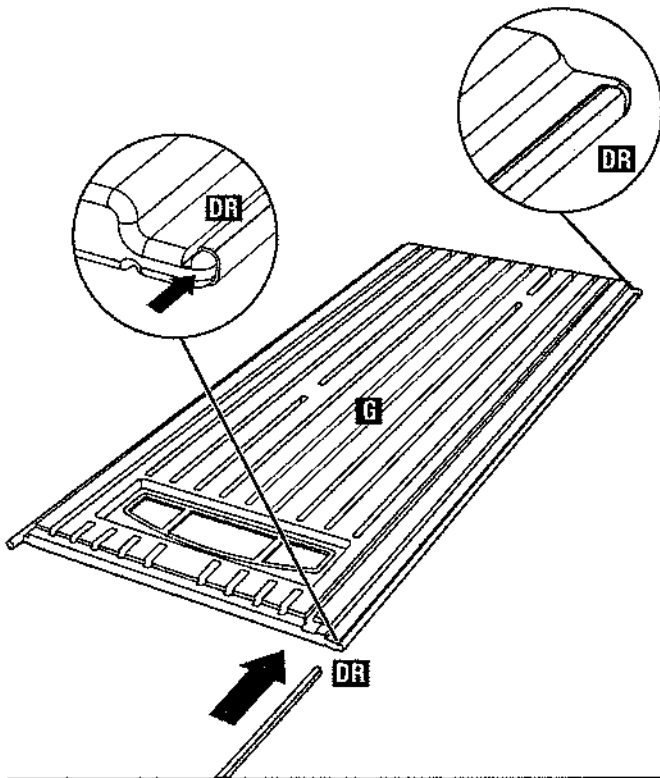
Set the Left Door Panel (G) face down. Slide the Hinge Reinforcement (HR) into the hole on the top door pin. The Hinge Reinforcement (HR) will slide in until it is 1/8" above the end of the door pin.



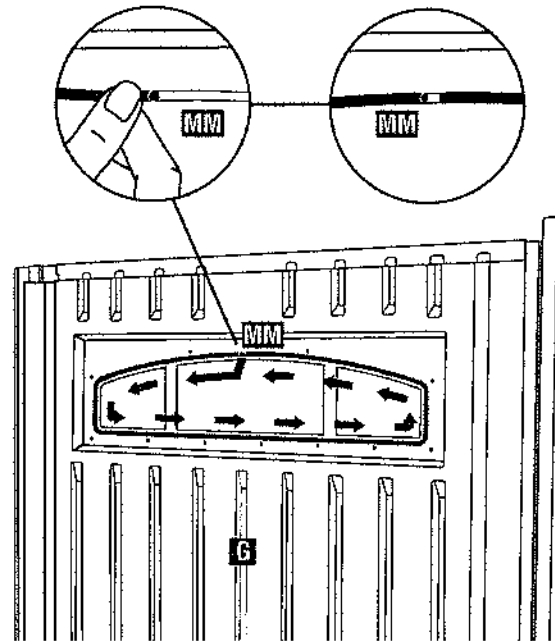
**Caution:** When installing screws, do not overtighten.  
**Caution:** Make sure the screws hit the targets on the back wall panels.  
**Caution:** Always use gloves when using the utility knife.

**16**

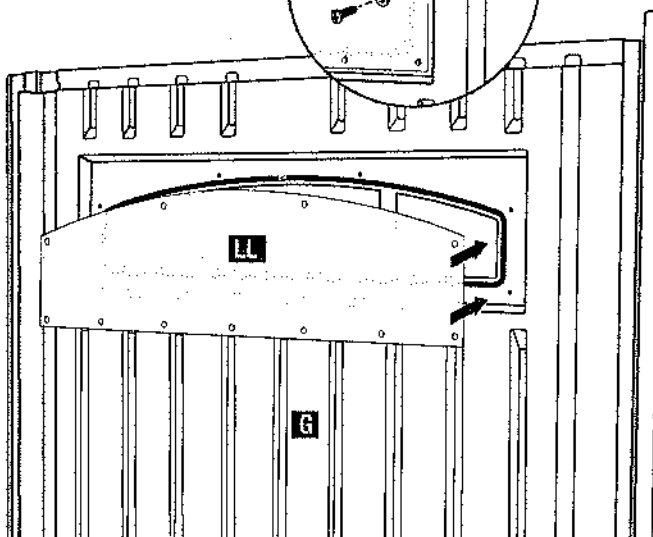
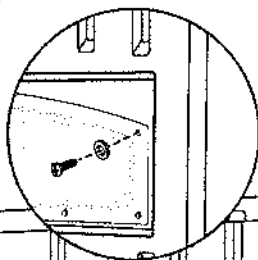
Lubricate the inside of the Door Reinforcement (DR) along the full length with liquid soap. Starting at the top of the door, slide the Door Reinforcement (DR) onto the groove located on the handle side of the door. The Door Reinforcement (DR) will slide to the stop at the bottom of the door.

**17**

Install the Gasket (MM) into the gasket groove in the door. Start at the top end middle by pushing the gasket into the groove. Continue until the Gasket (MM) is fully installed. There will be a small gap between the ends of the gasket.

**18**

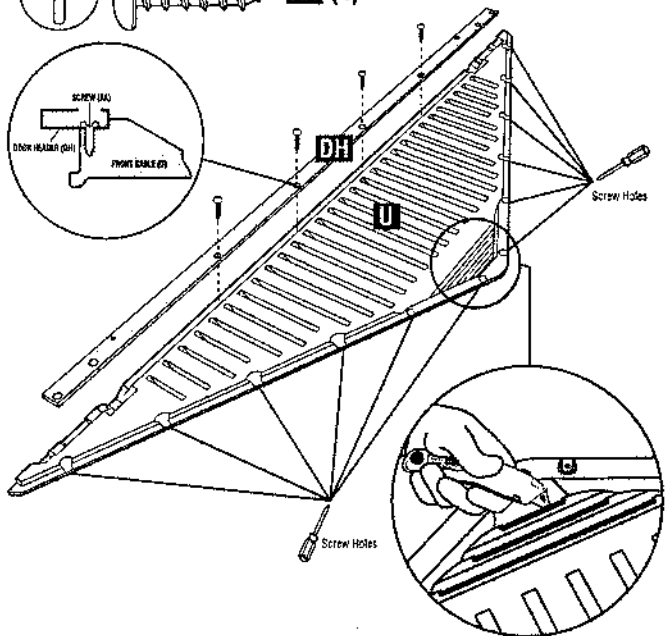
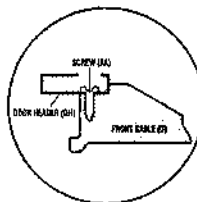
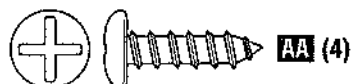
Peel off the protective paper from Window (LL). Install Window (LL) onto the door by matching up the holes and installing the Screws (BB) and Washers (CC) 11 places. The "frosted" side of the window should be touching the gasket. Start all screws before tightening any of them down. Make sure the window is free to move until all screws have been started. Repeat steps 15-18 for Right Door Panel (H).



Caution: Tighten screws only enough to compress gasket. Do not overtighten.

**19**

Using a screwdriver, punch out the screw holes around the perimeter of Front Gable (U) 12 places. If venting is desired, use the utility knife to cut out vent slots 3 places from inside of gable before assembly. Fasten the Door Header (DH) to the bottom of the Front Gable (U) using Screw (AA) 4 places.

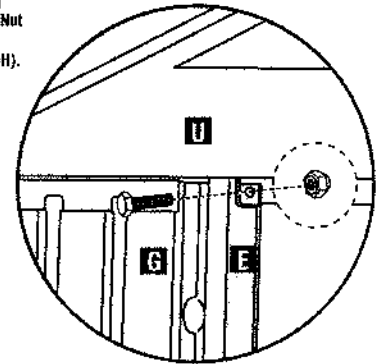
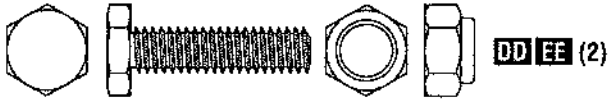


Caution: When installing screws, do not overtighten.

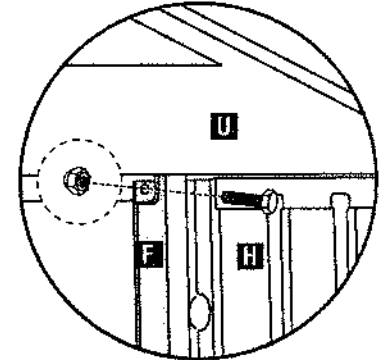
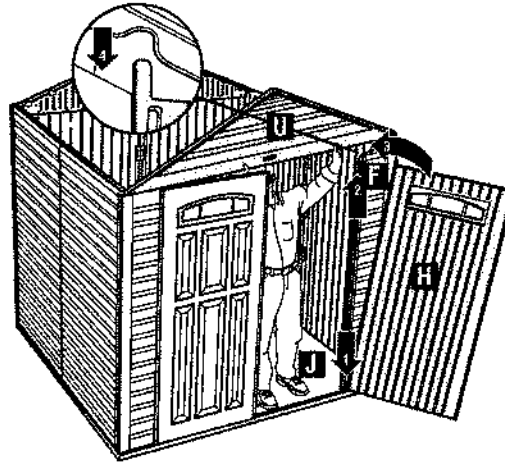
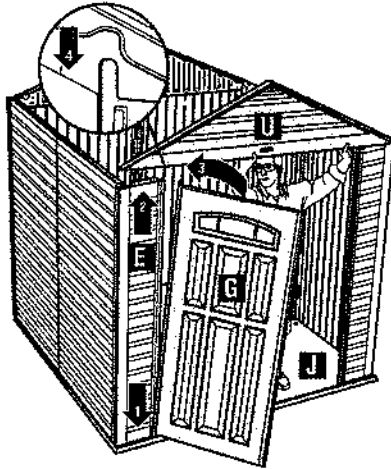
Caution: Always use gloves when using the utility knife.

**20**

One person **MUST** hold onto the Front Gable (U) during this entire step. Set the Front Gable (U) onto the front wall panels.  
 Install Left Door Panel (G) by inserting the lower hinge pin into the hole in Front Floor (J). Lift the left end of the Front Gable (U) enough to insert the top hinge pin on Left Door Panel (G) into the Front Gable (U) channel. Close Left Door Panel (G).  
 Install Right Door Panel (H) by inserting the lower hinge pin into the hole in Front Floor (J). Lift the right end of the Front Gable (U) enough to insert the top hinge pin on Right Door Panel (H) into the Front Gable (U) channel. With Right Door Panel (H) open, install Bolt (DD) and Nut (EE) connecting Right Front Panel (F) and Door Header (DH).  
 Open Left Door Panel (G). Close Right Door Panel (H). Install Bolt (DD) and Nut (EE) connecting Left Front Panel (E) and Door Header (DH).



OUTSIDE VIEW LEFT SIDE

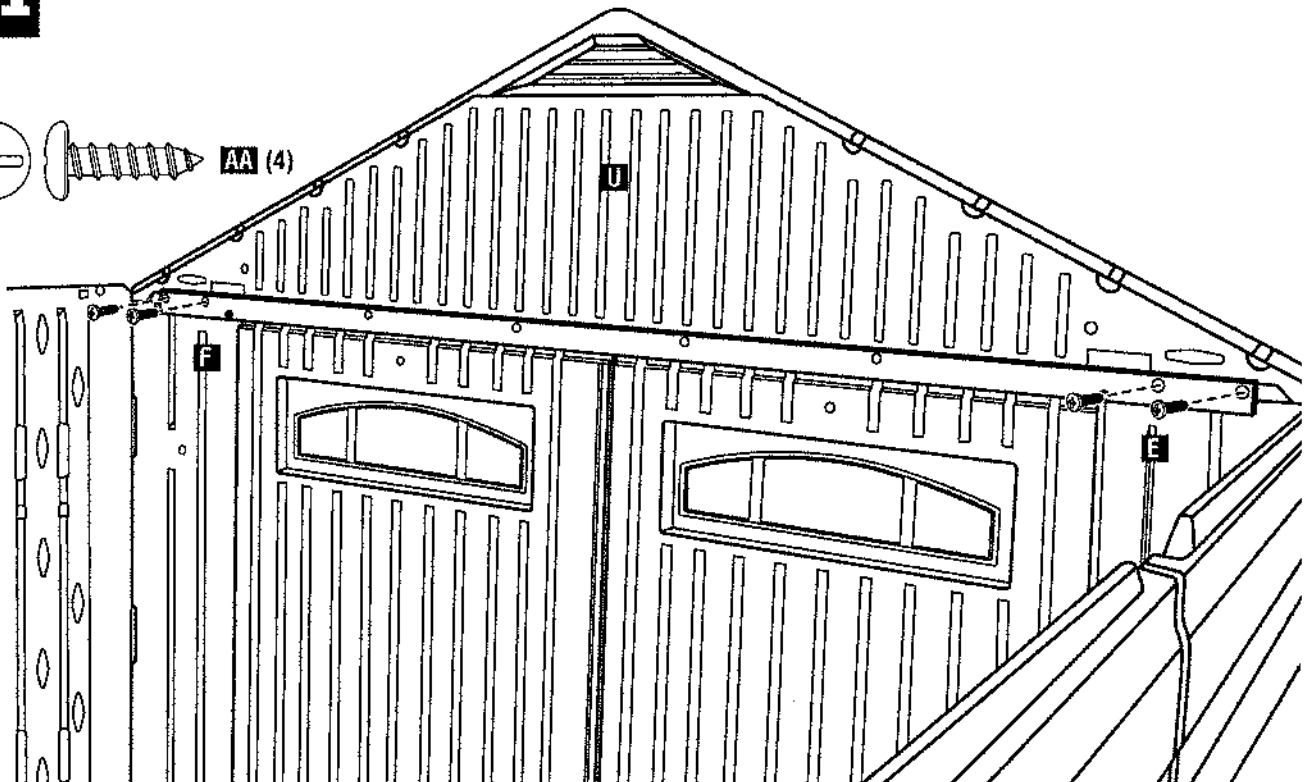
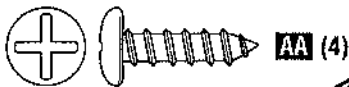


OUTSIDE VIEW RIGHT SIDE

**Caution: Tighten nut securely but DO NOT compress the Front Panel.**

**21**

Close both doors. From inside the shed, install Screws (AA) 4 places connecting Front Gable (U) to Left Front Panel (E) and Right Front Panel (F).

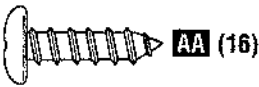
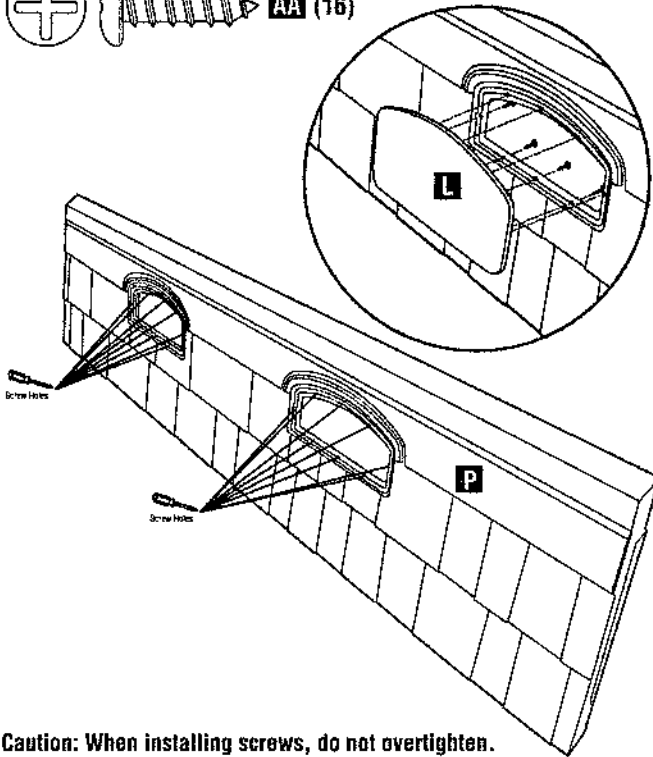


**Caution: When installing screws, do not overtighten.**



**22**

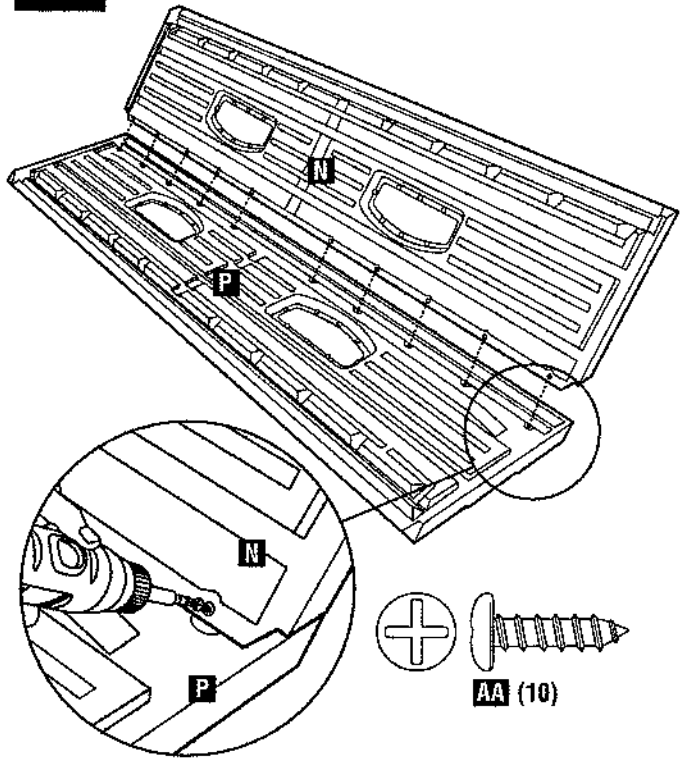
Using a screwdriver, punch out the screw holes around the 2 skylight openings on Upper Roof Panel (P) 16 places. Fasten Skylight (L) 2 places to Upper Roof Panel (P), install Screws (AA) 16 places. Repeat step for Upper Roof Panel (N).

**AA (16)**

Caution: When installing screws, do not overtighten.

**23**

Fasten Upper Roof Panel (N) to Upper Roof Panel (P) using Screw (AA) 10 places.

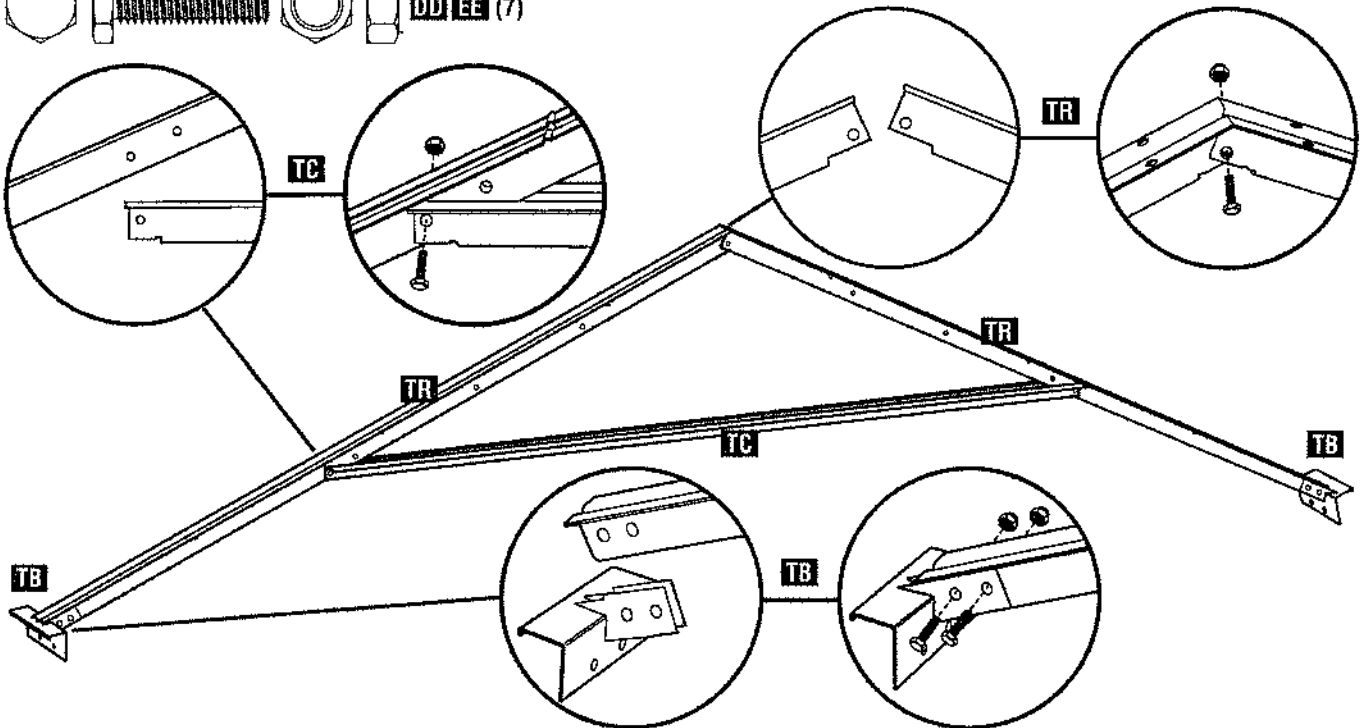
**AA (10)**

Caution: When installing screws, do not overtighten.

**24**

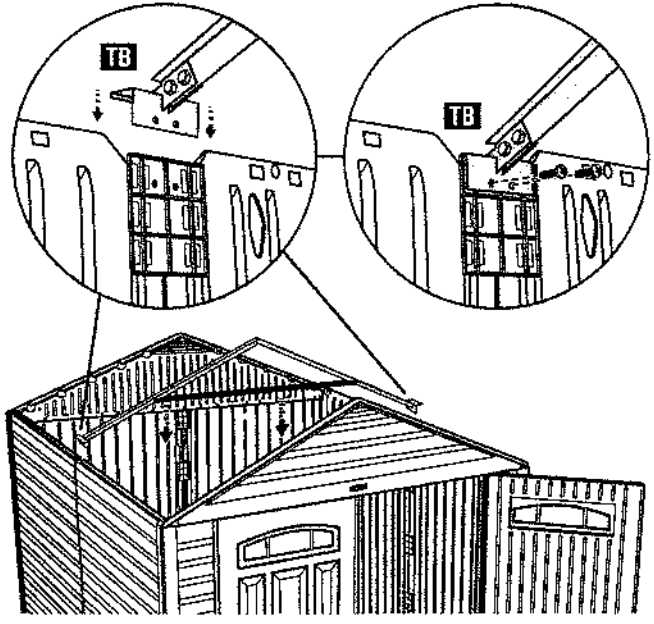
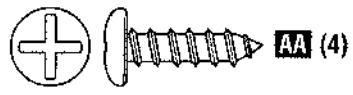
Fasten 2 Truss Rafters (TR) together using Bolt (DD) and Nut (EE) 1 place. Fasten Truss Collar (TC) to each Truss Rafter (TR) using Bolt (DD) and Nut (EE) 2 places. Fasten Truss Bracket (TB) to each Truss Rafter (TR) using Bolt (DD) and Nut (EE) 2 places.

Note: DO NOT completely tighten bolts and nuts, leave a 1/8" gap between the nut and the truss component.

**DD EE (7)**

**25**

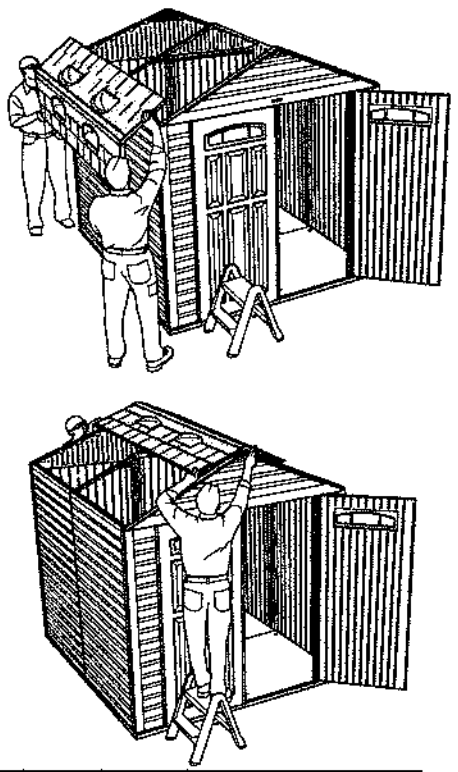
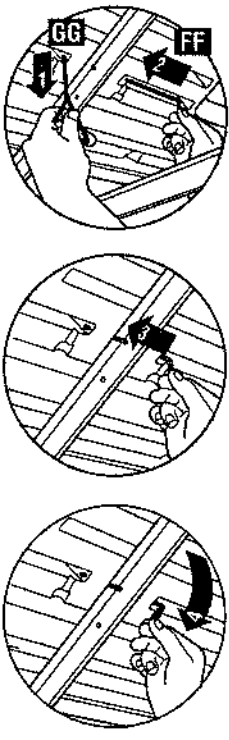
Install the Truss assembly. Fasten Truss Bracket (TB) 2 places to the wall panels using Screw (AA) 4 places.



Caution: When installing screws, do not overtighten.

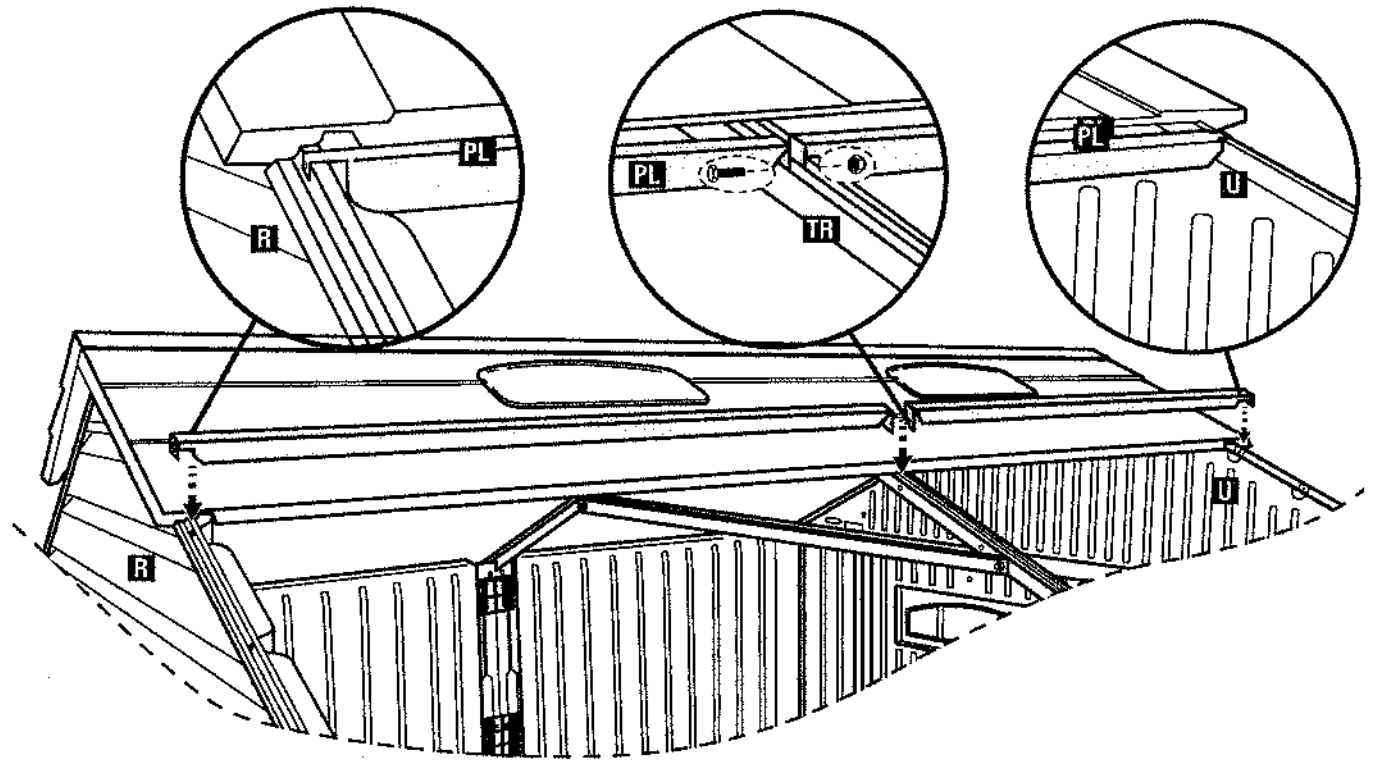
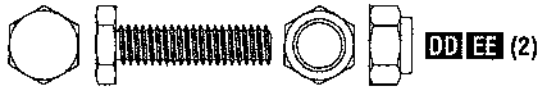
**26**

Lift the Upper Roof Panel assembly onto the peak. Install Roof Pin (FF) 2 places. If necessary, use the Roof Pin Assembly Tool (GG) to pull the roof down. Tighten Bolt (DD) and Nut (EE) 7 places on the Truss Assembly.



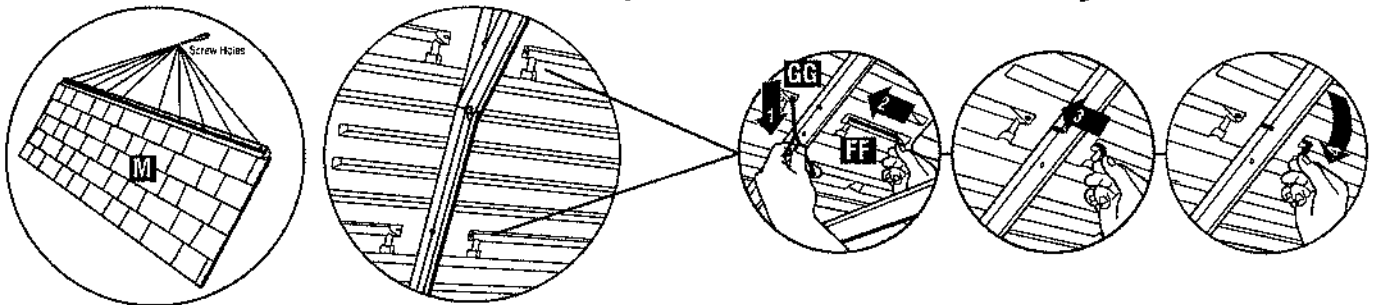
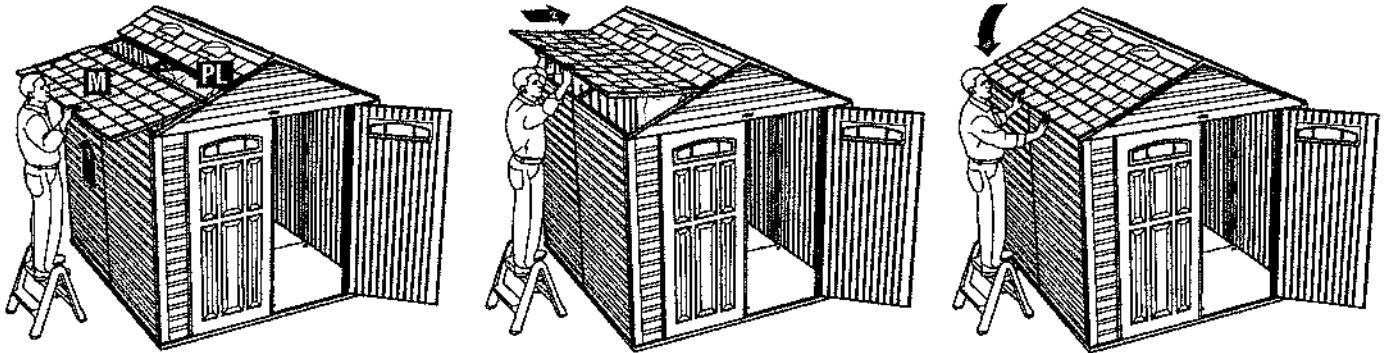
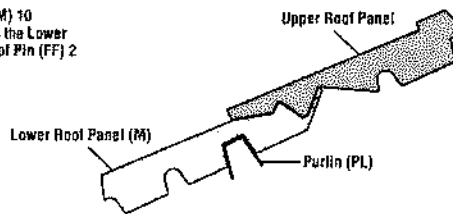
**27**

Attach Purlin (PL) 2 places. Fasten both Purlins (PL) to Truss Rafter (TR) using Bolt (DD) and Nut (EE) 1 place. Repeat step for opposite side. Note: Short end of Purlins (PL) should be over Gables and the long end of Purlins (PL) should align with Truss Rafter. Tighten bolts and nuts until they touch the truss component, DO NOT crush the truss component.



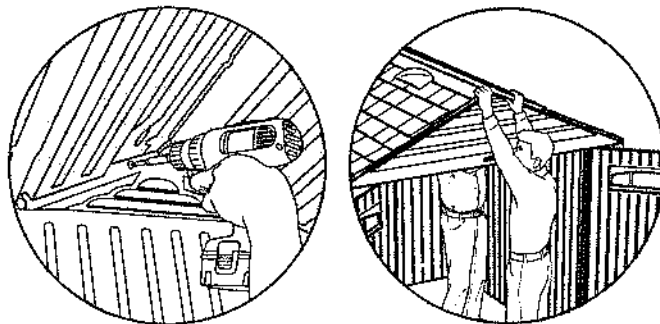
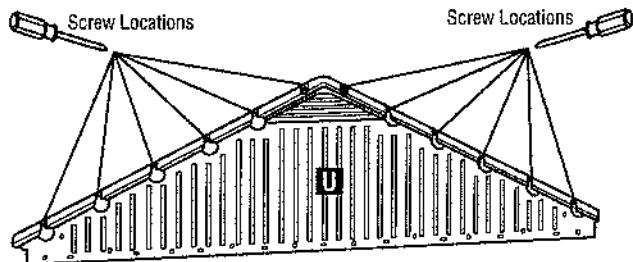
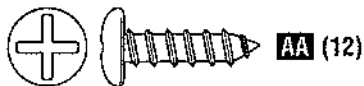
# 28

Using a screwdriver, punch out the screw holes on the top of Lower Roof Panel (M) 10 places. While one person pushes up on the bottom of the Upper Roof Panel, slide the Lower Roof Panel (M) over the Purlin (PL) and under the Upper Roof Panel. Install Roof Pin (FF) 2 places. Repeat step for opposite side.



# 29

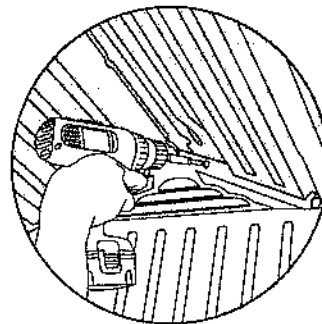
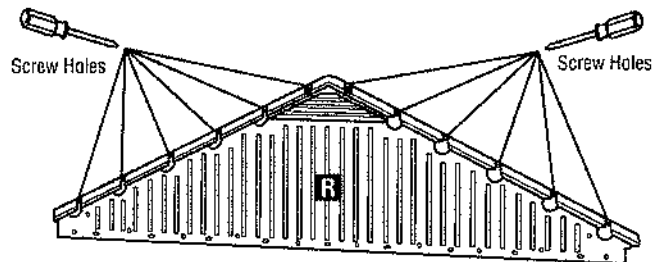
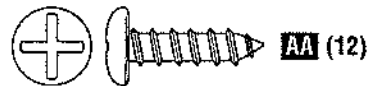
While one person holds the edge of the Roof down, fasten the Front Gable (U) to the Roof Panels using Screw (AA) 12 places.



Caution: When installing screws, do not overtighten.

# 30

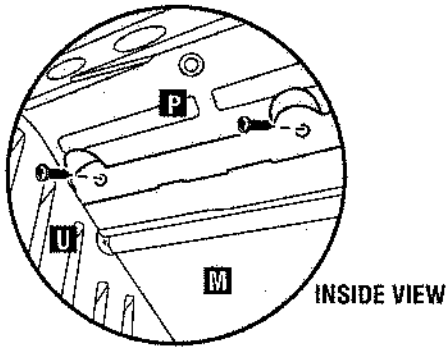
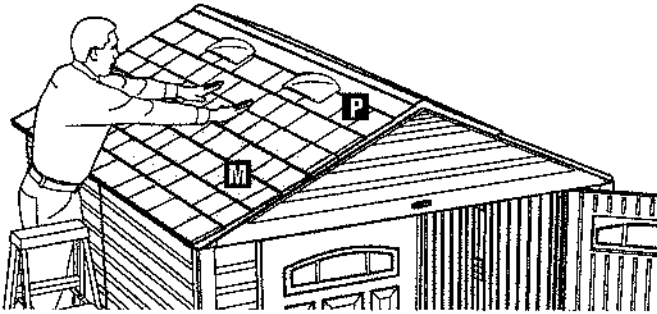
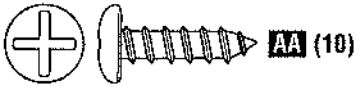
While one person holds the edge of the Roof down, fasten the Front Gable (U) to the Roof Panels using Screw (AA) 12 places.



Caution: When installing screws, do not overtighten.

# 31

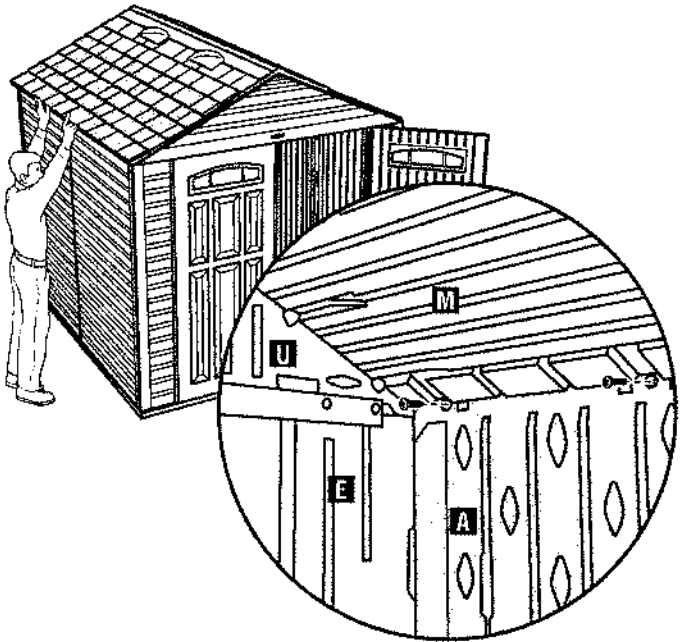
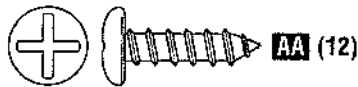
While one person holds the seam of the Roof down, fasten the Lower Roof Panel (M) to the Upper Roof Panel using Screw (AA) 10 places. Repeat step for opposite side.



**Caution: When installing screws, do not overtighten.**

# 32

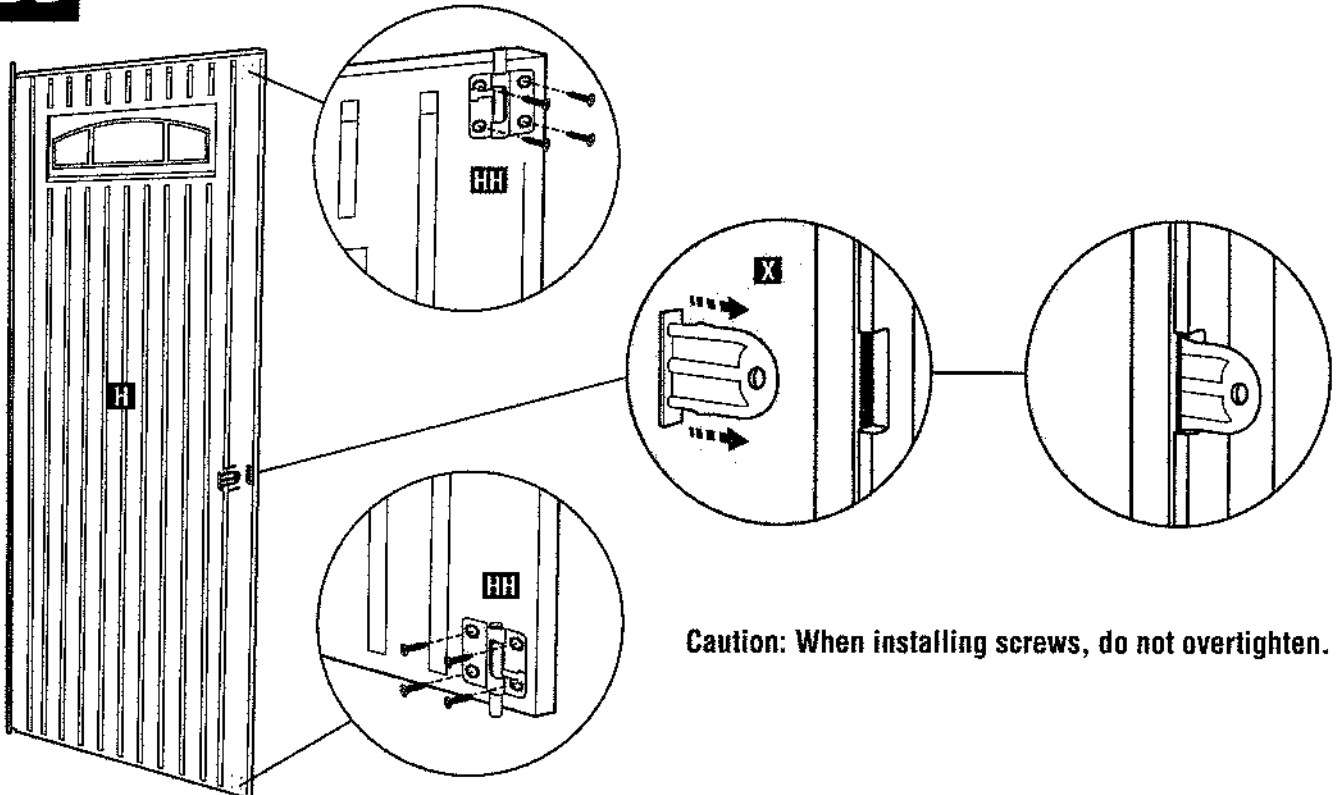
While one person holds the bottom of the Roof down, fasten the Wall Panels to the Roof Panels using Screw (AA) 12 places.



**Caution: When installing screws, do not overtighten.**

# 33

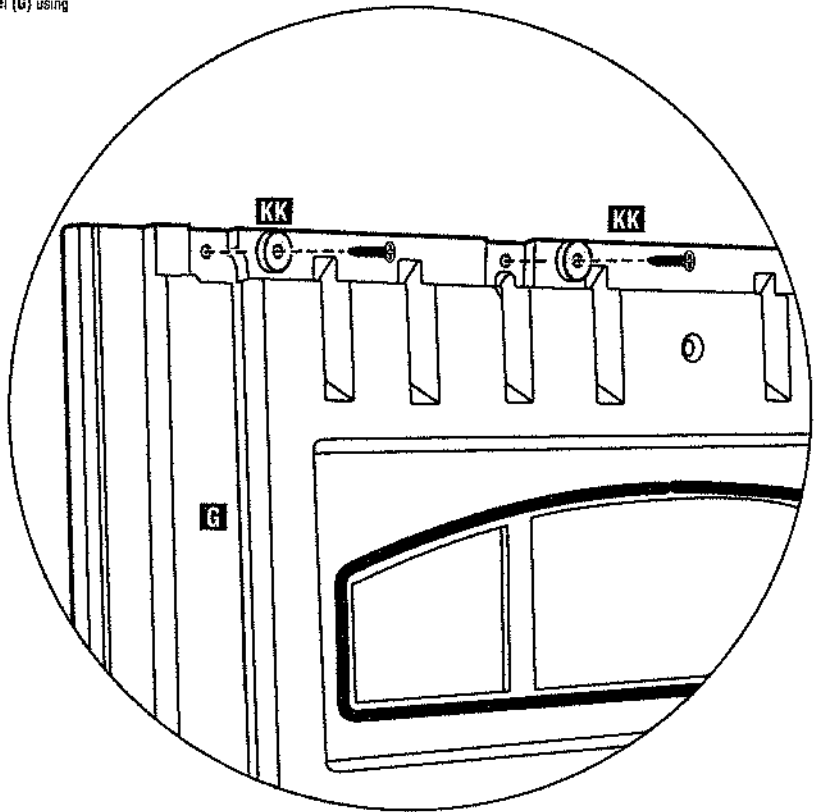
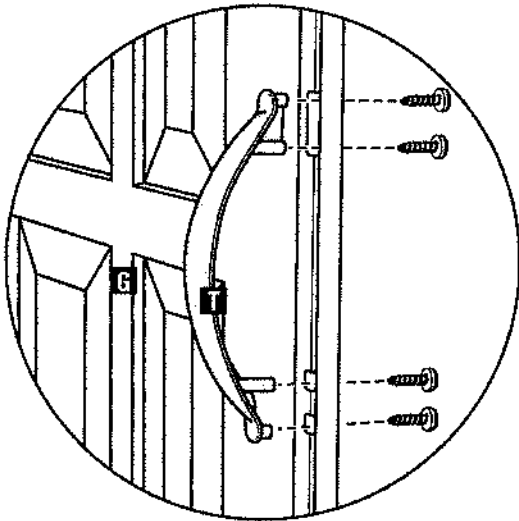
Snap Lock Hasp (X) into the interior of Right Door Panel (H). Fasten Barrel Bolt (HH) 2 places onto the interior of Right Door Panel (H) using supplied screws 8 places.  
Note: Lock Hasp accepts padlocks with 1/2" diameter and smaller shackle.



**Caution: When installing screws, do not overtighten.**

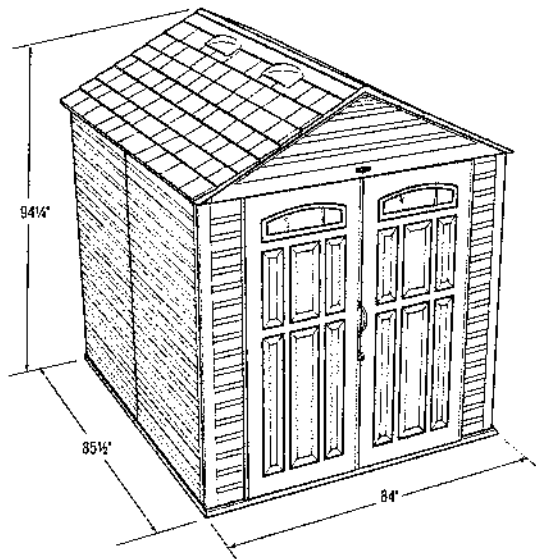
**34**

Fasten Door Magnet (KK) onto the Interior of Left Door Panel (G) 2 places using supplied screws. Fasten Door Handle (T) onto Left Door Panel (G) using Screw (AA) 4 places.



### Maintenance & Safety

- Periodically check shed to assure it remains stable and the site remains level.
- In areas of extreme high winds it is recommended to anchor shed to platform or ground by drilling holes in floor at designated location and secure with the proper fasteners (not included).
- Wash shed with garden hose or a mild detergent solution. Using an abrasive cleaner could damage your building.
- Hot items such as recently used grills or fire pits should not be stored in the building.
- Heavy items should not be leaned against the walls, as this may cause distortion.
- Keep doors closed when not in use to prevent wind damage.
- Do not climb onto roof.
- Shed is not designed for habitation.



A **NewellRubbermaid** Company

Printed in U.S.A.  
© 2011 Rubbermaid Incorporated,  
Huntersville, NC U.S.A. 28078-1801

Customer Service  
Toll Free: 1-888-895-2110  
M-F 8:30AM to 5PM EST

or visit us at  
[www.rubbermaid.com](http://www.rubbermaid.com)

Imprimé aux États-Unis  
D.R. © 2011 Rubbermaid Incorporated,  
Huntersville, NC U.S.A. 28078-1801

Service à la clientèle  
Sans frais : 1-888-895-2110  
L-V 8:30h à 17h (heure de l'est)

ou visitez notre site Web  
[www.rubbermaid.com](http://www.rubbermaid.com)

Impreso en los EEUU.  
D.R. © 2011 Rubbermaid Incorporated,  
Huntersville, NC U.S.A. 28078-1801

Servicio al cliente  
Llamada gratuita: 1-888-895-2110  
L-V 8:30AM a 5PM EST

o vea nuestro sitio en la Internet  
[www.rubbermaid.com](http://www.rubbermaid.com)