

SturdiMount® Installation Guide

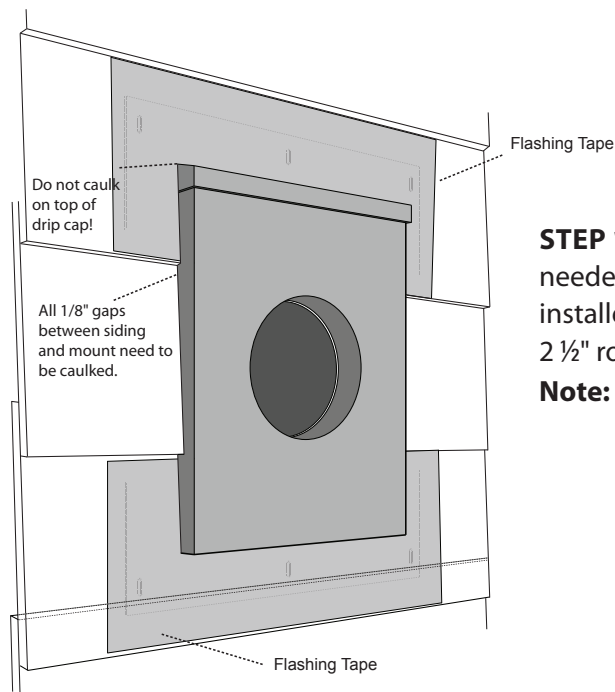
Materials needed:

- 2 1/2" roofing nails
- 2" brad nails
- OSI Quad caulk
- Flashing tape

Penetrations Installation Requirements

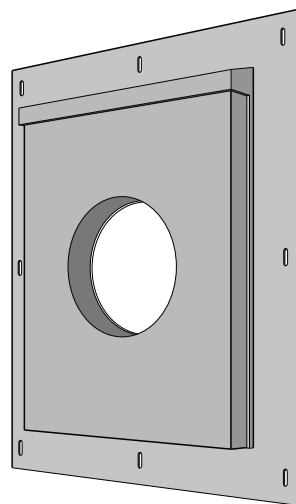
For penetrations in the building envelope such as hose bibs and holes 1 1/2" diameter or larger, such as dryer vents. To install a block around an existing vent pipe, use a SturdiMount Split Block. Weather-cut the trim to fit into place. Install flashing over top of the trim block.

UNIVERSAL, OVERSIZED AND RECEPTACLE MOUNT INSTALLATION



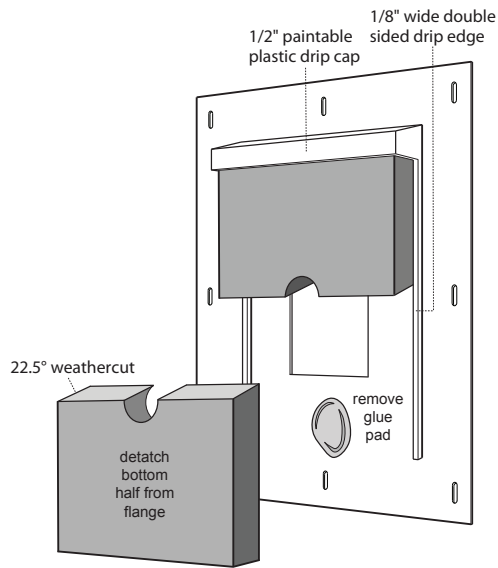
STEP 1 - Place desired mount over the proper application needed. Align and level mount parallel with siding to be installed. Nail block into place using all flange holes with 2 1/2" roofing nails.

Note: Flashing tape is applied over the flange.

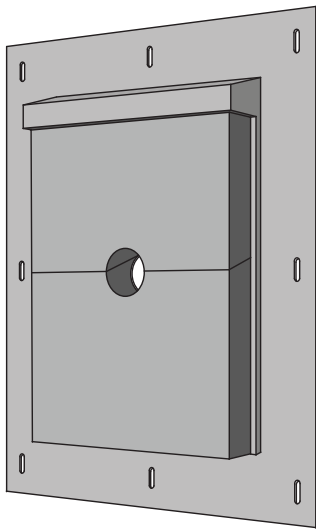


STEP 2 - Flash all sides of block covering the nail flange. Install siding and caulk sides and bottom of block.

SPLIT MOUNT INSTALLATION



STEP 1 - Detach bottom half of block from plastic flange by placing finger through 1" hole and then pulling down and out until block is detached. Remove remaining glue pad from the face of the plastic flange.



STEP 2 - Feed water spigot or other application through the rectangular flange hole. Slide bottom half of block back up until tight. Face nail with 2" brad nails. Do not caulk 22.5° weathercut edge.

SturdiMount®

SturdiMount.com • 800-521-8486

The Tapco®
GROUP
GENUINELY BETTER BUILDING PRODUCTS