



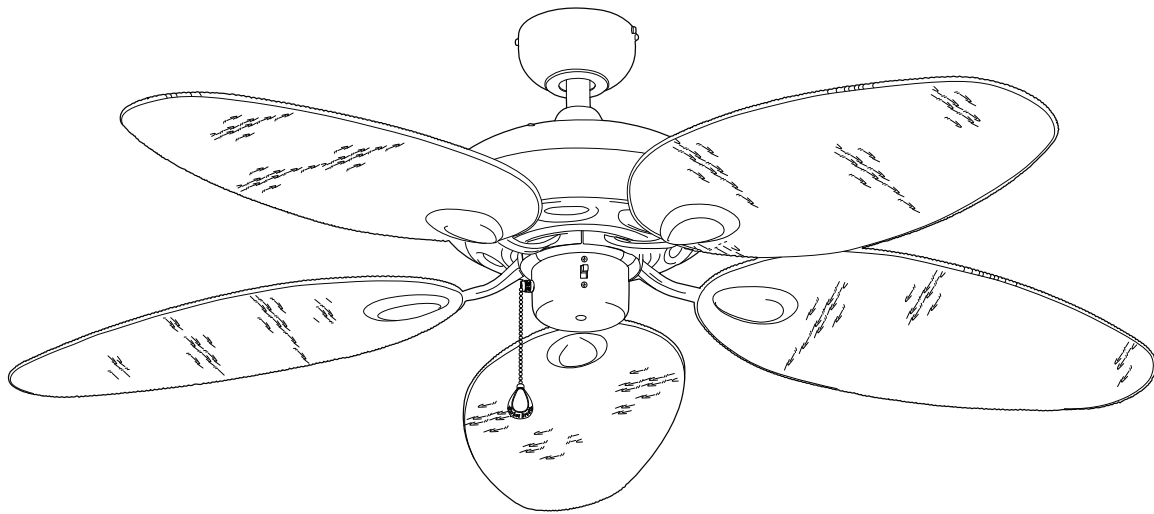
ITEM #0294980
0294981

TILGHMAN CEILING FAN

Harbor Breeze® is a registered trademark of LF, LLC. All Rights Reserved.

MODEL #WCK52LMW5N
WCK52NWZ5N

Español p. 20



LISTED
For
Damp Location
E206035

ATTACH YOUR RECEIPT HERE

Serial Number _____ Purchase Date _____



Questions, problems, missing parts? Before returning to your retailer, call our customer service department at **1-800-643-0067**, 8 a.m. - 6 p.m., EST, Monday - Thursday, 8 a.m. - 5 p.m., EST, Friday.

EB14491

Lowes.com/harborbreeze



TABLE OF CONTENTS

Safety Information	2
Package Contents	4
Hardware Contents	5
Preparation	5
Initial Installation	6
Downrod-Style Fan Mounting	8
Closemount-Style Fan Mounting	10
Wiring	11
Final Installation	13
Operating Instructions	15
Care and Maintenance	16
Troubleshooting.....	17
Warranty	18
Replacement Parts List	19



SAFETY INFORMATION

READ AND SAVE THESE INSTRUCTIONS

Please read and understand this entire manual before attempting to assemble, install or operate the product.

- Do not discard fan carton or foam inserts. Should this fan need to be returned to the factory for repairs, it must be shipped in its original packaging to ensure proper protection against damage that might exceed the initial cause for return.
- Make sure all electrical connections comply with local codes, ordinances, the National Electrical Code and ANSI/NFPA 70-1999. Hire a qualified electrician or consult a do-it-yourself wiring handbook if you are unfamiliar with installing electrical wiring.
- Make sure the installation site you choose allows a minimum clearance of 7 ft. from the blades to the floor and at least 30 in. from the end of the blades to any obstruction.
- After you install the fan, make sure all connections are secure to prevent the fan from falling.
- The net weight of this fan including the light kit is: 17.2 lbs.





SAFETY INFORMATION

⚠ DANGER

If using this fan in a DAMP location, this fan must be connected to a supply circuit that is protected by a Ground Fault Circuit Interrupter (GFCI) to reduce the risk of personal injury, electrical shock or death.

⚠ WARNING



To reduce the risk of fire, electrical shock or personal injury, mount fan to outlet box marked "ACCEPTABLE FOR FAN SUPPORT OF 35 LBS. (15.9 KG) OR LESS" and use mounting screws provided with the outlet box. Most outlet boxes commonly used for the support of lighting fixtures are not acceptable for fan support and may need to be replaced. Consult a qualified electrician if in doubt.

When mounting fan to a ceiling outlet box, use a METAL octagonal outlet box. Secure the outlet box directly to the building structure. The outlet box and its support must be able to support the moving weight of the fan (at least 35 lbs.). Do NOT use a plastic outlet box.

To avoid personal injury, the use of gloves may be necessary while handling fan parts with sharp edges.

To reduce the risk of fire, electrical shock or personal injury, wire connectors provided with this fan are designed to accept only one 12-gauge house wire and two lead wires from the fan. If your house wire is larger than 12-gauge or there is more than one house wire to connect to the corresponding fan lead wires, consult an electrician for the proper size wire connectors to use.

To reduce the risk of fire or electrical shock, do not use the fan with any solid state speed control device or control fan speed with a full range dimmer switch.

To reduce the risk of fire, electrical shock or personal injury, do not bend the blade arms when installing them, balancing the blades or cleaning the fan. Do not insert objects between the rotating fan blades.

To reduce the risk of personal injury, use *only* parts provided with this fan. The use of parts *OTHER* than those provided with this fan will void the warranty.

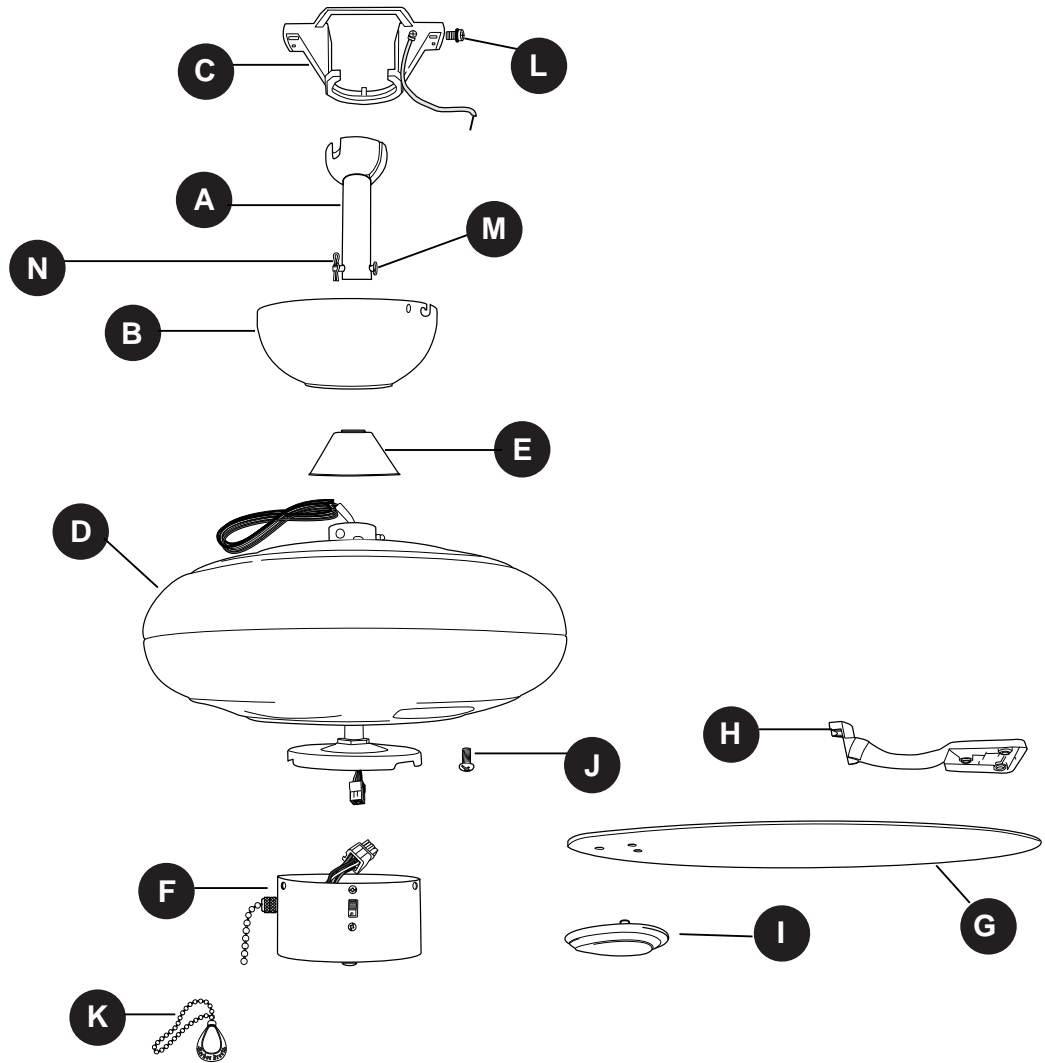
CAUTION

Before proceeding, be sure to shut off electricity at main switch or circuit breaker in order to avoid electrical shock.

Read all instructions and safety information before installing your new fan. Review the accompanying assembly diagrams.



PACKAGE CONTENTS







PART	DESCRIPTION	QUANTITY
A	Downrod	1
B	Canopy	1
C	Mounting Bracket (preassembled)	1
D	Motor Housing (preassembled)	1
E	Yoke Cover	1
F	Switch Housing	1
G	Blade	5
H	Blade Arm	5

PART	DESCRIPTION	QUANTITY
I	Blade Plate	5
J	Motor Screw (preassembled)	10
K	Pull Chain Extension	1
L	Canopy Mounting Screw (preassembled)	4
M	Pin (preassembled)	1
N	Clip (preassembled)	1

⚠ IMPORTANT REMINDER: You must use the parts provided with this fan for proper installation and safety.

HARDWARE CONTENTS (shown actual size)

			
Blade Screw	Wire Connector	Screw	Lock Washer
Qty. 15 + 1 extra	Qty. 4	Qty. 3	Qty. 3

PREPARATION

Before beginning assembly of product, make sure all parts are present. Compare parts with package contents list and hardware contents list. If any part is missing or damaged, do not attempt to assemble the product.

Estimated Assembly Time: 120 minutes

Tools Required for Assembly (not included): Electrical Tape, Phillips Screwdriver, Pliers, Safety Glasses, Stepladder and Wire Strippers

Helpful Tools (not included): AC Tester Light, Tape Measure, Do-It-Yourself Wiring Handbook and Wire Cutters

⚠ DANGER: When using an existing outlet box, make sure the outlet box is securely attached to the building structure and can support the full weight of the fan. Failure to do this can result in serious injury or death. The stability of the outlet box is essential in minimizing wobble and noise in the fan after installation is complete.

⚠ CAUTION: Be sure outlet box is properly grounded and that a ground wire (green or bare) is present.

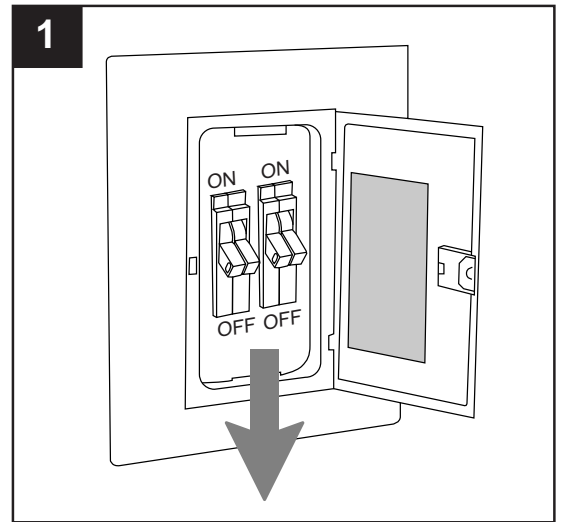
After opening top of carton, remove mounting hardware package from foam inserts. Remove motor from packing and place on carpet or on foam to avoid damage to finish.

⚠ CAUTION: Carefully check all screws, bolts and nuts on fan motor assembly to ensure they are secured.

INITIAL INSTALLATION

1. Turn off circuit breakers and wall switch to the fan supply line leads.

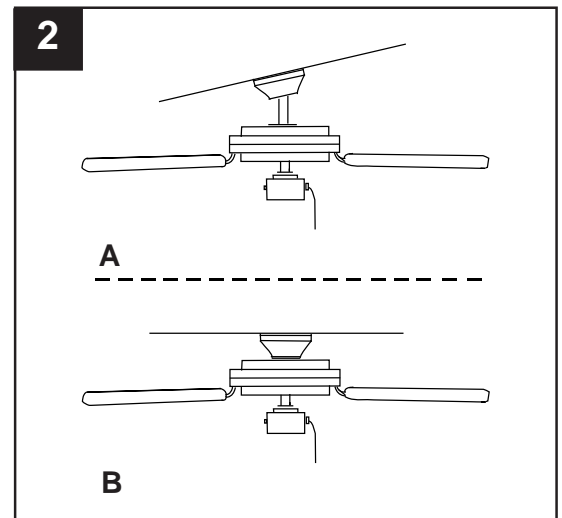
⚠ DANGER: Failure to disconnect power supply prior to installation may result in serious injury or death.



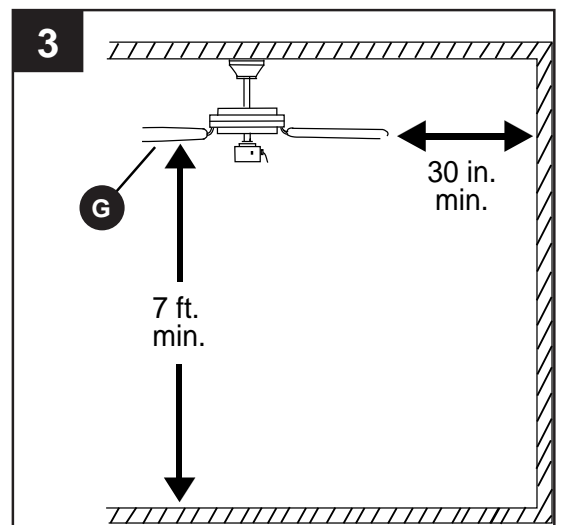
2. Determine mounting method to use.
 - A. Downrod mount (standard or angled ceiling)
 - B. Closemount (standard ceiling only)

IMPORTANT: If using the angle mount, check to make sure the ceiling angle is not steeper than 19°.

***Helpful Hint:** Downrod-style mounting is best suited for ceilings 8 ft. or higher. For taller ceilings you may want to use a longer downrod (not included). Angle-style mounting is best suited for angled or vaulted ceilings. A longer downrod is sometimes necessary to ensure proper blade clearance.

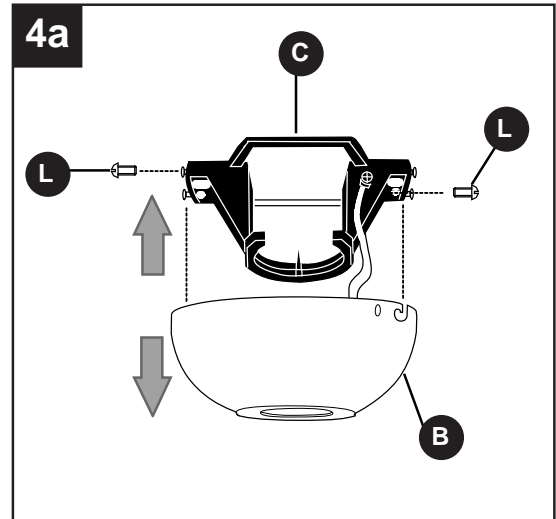


3. Check to make sure blades (G) will be at least 30 inches from any obstruction and at least 7 ft. above the floor.



INITIAL INSTALLATION

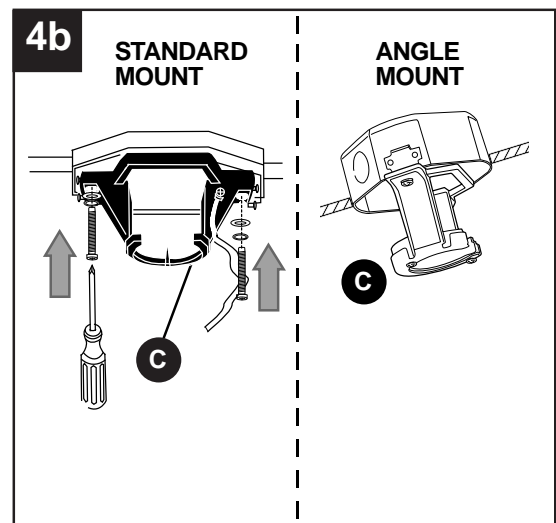
4a. Loosen canopy mounting screws (L) in slotted holes in canopy (B) and remove the other two canopy mounting screws (L) -- save canopy mounting screws (L) for later use. Remove mounting bracket (C) from canopy (B).



4b. Secure mounting bracket (C) to outlet box (not included) using screws, spring washers and flat washers provided with the outlet box.

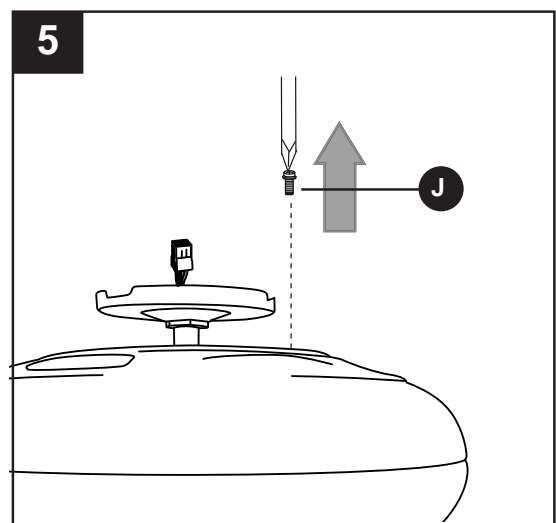
***NOTE:** It is very important you use the proper hardware when installing the mounting bracket (C) as this will support the fan.

IMPORTANT: If using angle mount, make sure open end of mounting bracket (C) is installed facing the higher point of the ceiling.



5. Remove motor screws (J) from underside of motor and save for blade arm (H) attachment later on. If there are plastic motor blocks installed with the motor screws (J), discard the plastic motor blocks.

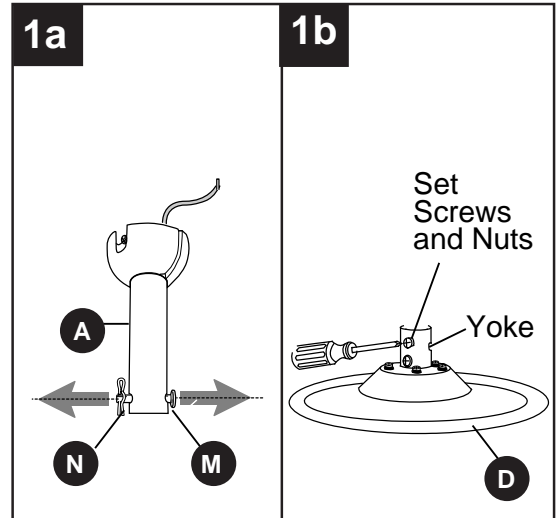
For **DOWNROD-STYLE FAN MOUNTING**, proceed to step 1 on the next page. For **CLOSEMOUNT-STYLE FAN MOUNTING**, skip to page 10.



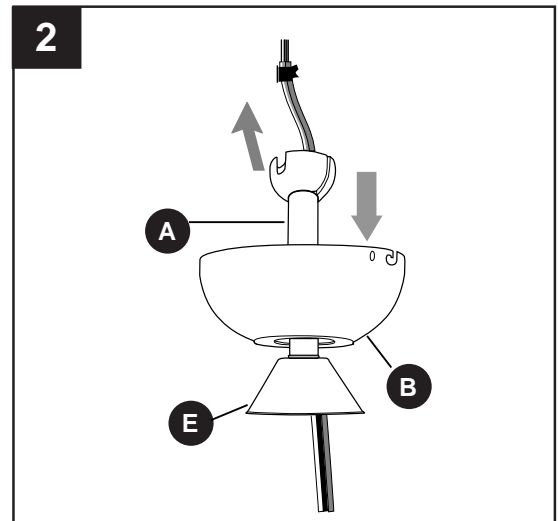
DOWNROD-STYLE FAN MOUNTING

1a. Remove pin (M) and clip (N) from downrod (A).

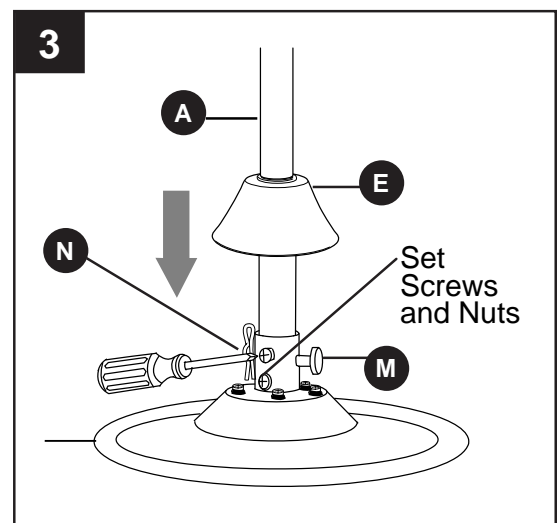
1b. Partially loosen preassembled set screws and nuts in yoke at top of motor housing (D).



2. Insert downrod (A) through canopy (B) and yoke cover (E). Thread wires from motor housing (D) up through downrod (A).



3. Slip downrod (A) into yoke, align holes and re-install pin (M) and clip (N). Tighten set screws and then tighten nuts on the set screws. Slide yoke cover (E) down until it rests on top of motor housing (D).

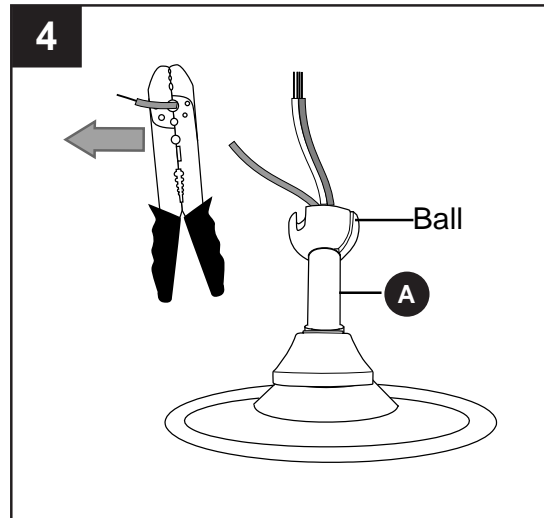


DOWNROD-STYLE FAN MOUNTING

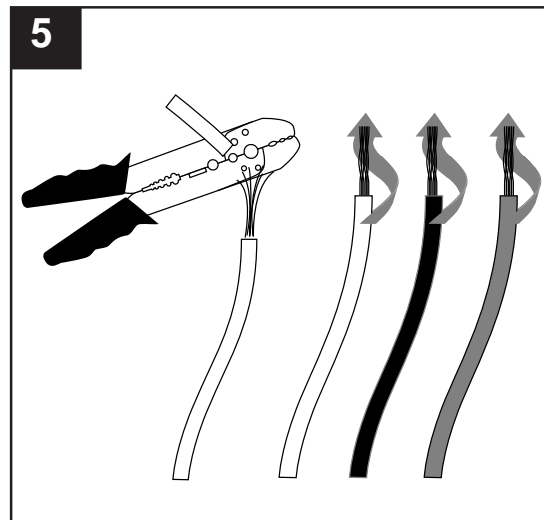
4. Depending on the length of downrod you use, you may need to cut the lead wires back to simplify the wiring. If you decide to cut back the lead wires, it is suggested you do so in the following manner:

Take the lead wires and make sure that you have pulled them all the way through the top of the downrod. Start at the TOP of the ball on the downrod and measure 8 in. of lead wire, and then cut the excess wire off with wire cutters (not included).

NOTE: If you do *not* cut back the lead wires, **Steps 4 and 5 are not necessary and you may proceed to Step 6 instead.**



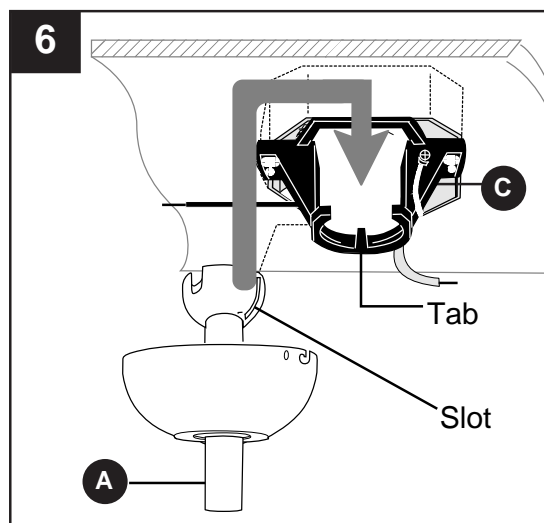
5. If you decided to cut back the lead wires in Step 4, strip 1/2 in. of insulation from end of white wire. Twist stripped ends of each strand of wire within the insulation with pliers (not included). Repeat Step 5 for black, blue (if applicable) and green wires.



6. Install ball end of downrod (A) into mounting bracket (C) opening. Align slot in ball with tab in mounting bracket (C).

⚠ DANGER: Failure to align slot in ball with tab may cause the fan to wobble or fall, which could result in serious injury or death.

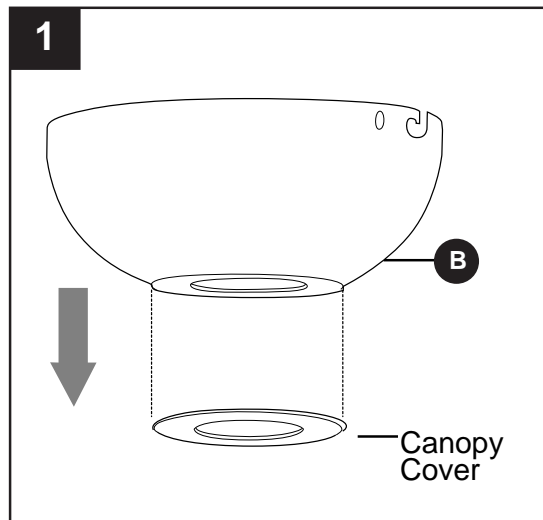
Continue to **WIRING** on page 11.



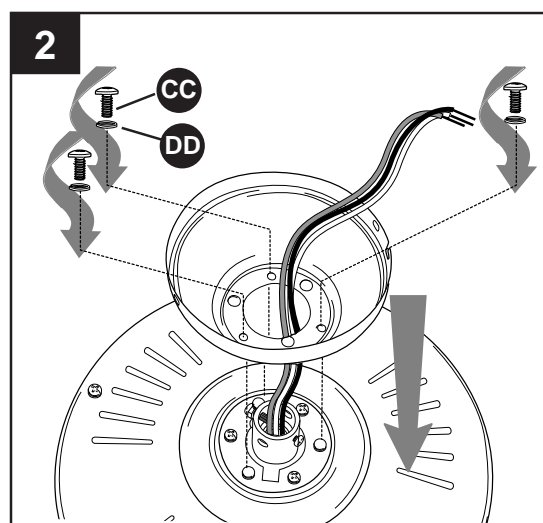
CLOSEMOUNT-STYLE FAN MOUNTING

1. Remove canopy cover from bottom of canopy (B).
NOTE: It may be necessary to use the handle end of a screwdriver (not included) to remove the canopy cover by tapping on the canopy cover from the *inside* of the canopy (B).

***Helpful Hint:** Closemount-style mounting is more suitable for ceilings lower than 8 ft. The downrod (A), yoke cover (E) and canopy cover are not used in this type of installation.

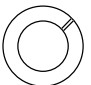


2. Pull wires up through hole in the middle of the canopy (B) and attach canopy (B) to motor housing (D) using three screws (CC) and three lock washers (DD).



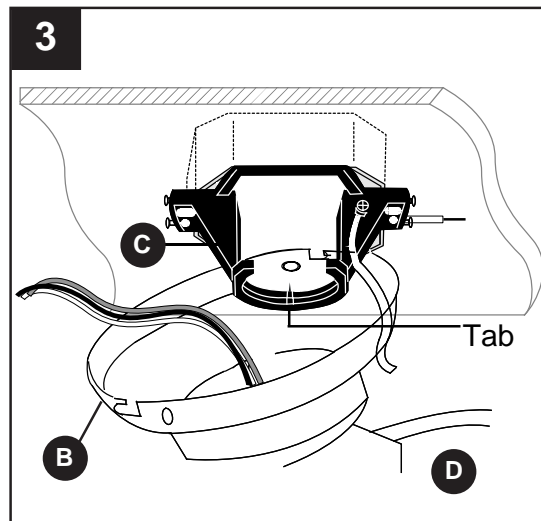
Hardware Used

CC Screw  x 3

DD Lock Washer  x 3

CLOSEMOUNT-STYLE FAN MOUNTING

- Temporarily hang fan on the tab on the mounting bracket (C) using one of the *non-slotted* holes in the canopy (B).



WIRING

⚠ WARNING: To reduce the risk of fire, electrical shock or personal injury, wire connectors provided with this fan are designed to accept only one 12-gauge house wire and two lead wires from the fan. If your house wire is larger than 12-gauge or there is more than one house wire to connect to the corresponding fan lead wires, consult an electrician for the proper size wire connectors to use.

⚠ CAUTION: Be sure outlet box is properly grounded and that a ground (green or bare) wire is present.

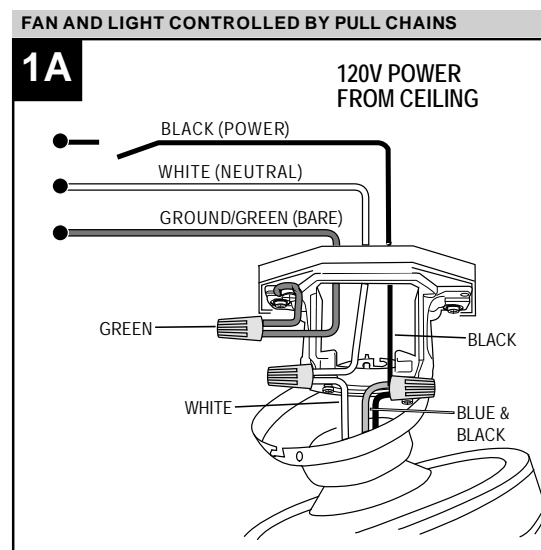
⚠ WARNING: If house wires are different colors than referred to in the following steps, stop immediately. A professional electrician is recommended to determine wiring.

⚠ DANGER: If using this fan in a DAMP location, this fan must be connected to a supply circuit protected by a Ground Fault Circuit Interrupter (GFCI) to reduce the risk of personal injury, electrical shock or death.

NOTE: This fan is remote control adaptable (remote control sold separately). Any remote control used with this fan **MUST** be UL-approved for DAMP LOCATIONS.

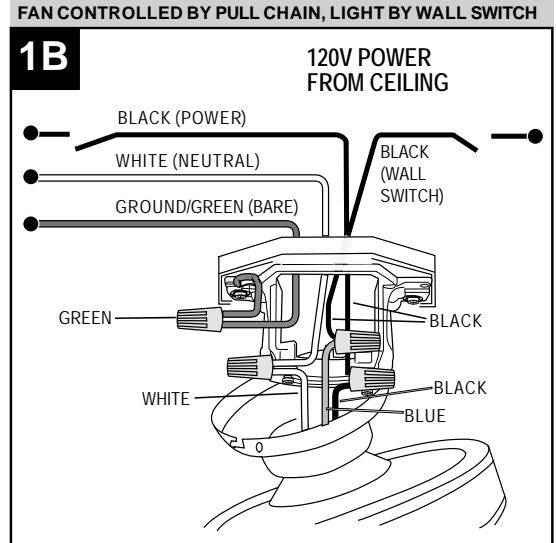
- Choose wiring diagram (Fig. 1A, Fig. 1B or Fig. 1C) that fits your situation and make appropriate wiring connections as follows: **[IMPORTANT:** For each wire connection below, use one of the wire connectors (BB) provided, making sure to screw wire connector (BB) on in a clockwise direction.]

1A. FAN AND LIGHT CONTROLLED BY PULL CHAINS: Connect BLACK and BLUE wire from fan to BLACK wire from ceiling. Connect WHITE wire from fan to WHITE wire from ceiling. Connect all GROUND (GREEN) wires together from fan (on downrod (A) and mounting bracket (C)) to BARE/GREEN wire from ceiling.

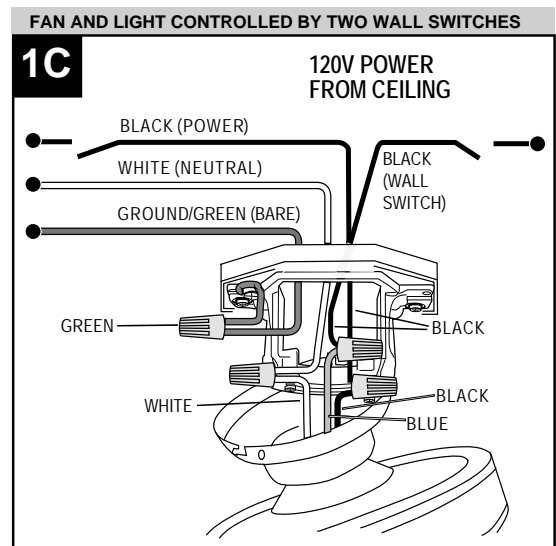


WIRING

1B. FAN CONTROLLED BY PULL CHAIN, LIGHT BY WALL SWITCH: If you intend to control the fan light with a separate wall switch, connect BLACK wire from fan to BLACK wire from ceiling. Connect BLUE wire from fan to the BLACK wire from the independent wall switch for the light. Connect WHITE wire from fan to WHITE wire from ceiling. Connect all GROUND (GREEN) wires together from fan (on downrod (A) and mounting bracket (C)) to BARE/GREEN wire from ceiling.



1C. FAN AND LIGHT CONTROLLED BY TWO WALL SWITCHES: If you intend to control the fan and light with separate wall switches, connect BLACK wire from fan to BLACK wire from the independent wall switch for the fan. Connect BLUE wire from fan to the BLACK wire from the other independent wall switch for the light. Connect WHITE wire from fan to WHITE wire from ceiling. Connect all GROUND (GREEN) wires together from fan (on downrod (A) and mounting bracket (C)) to BARE/GREEN wire from ceiling.



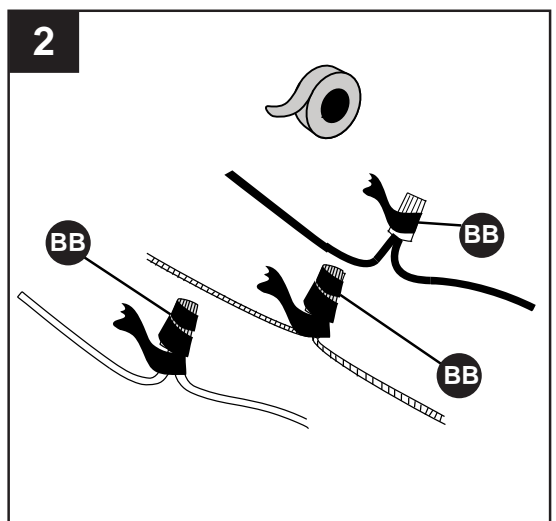
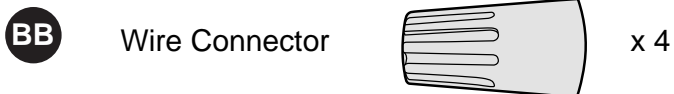
NOTE: BLACK wire is hot power for fan. BLUE wire is hot power for light kit. WHITE wire is common for fan and light kit. BARE/GREEN wire is ground.

2. Wrap electrical tape (not included) around each individual wire connector (BB) down to the wire.

⚠ WARNING: Make sure no bare wire or wire strands are visible after making connections. Place green and white connections on opposite side of box from the black and blue (if applicable) connections.

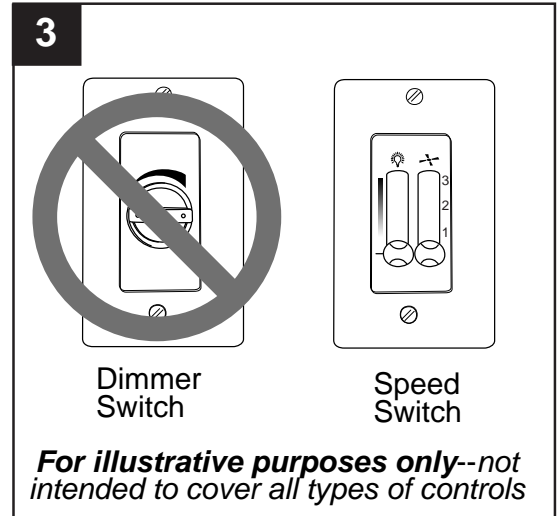
Turn spliced/taped wires upward and gently push wires and wire connectors (BB) into outlet box.

Hardware Used



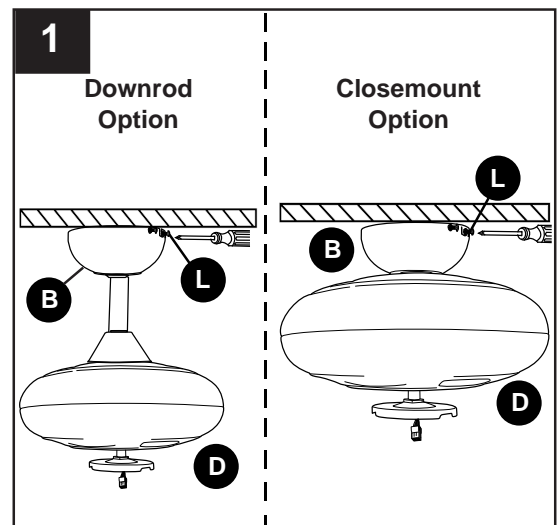
WIRING

- IMPORTANT:** Using a full range dimmer switch (not included) to control fan speed will cause a loud humming noise from fan. To reduce the risk of fire or electrical shock, do NOT use a full range dimmer switch to control fan speed.



FINAL INSTALLATION

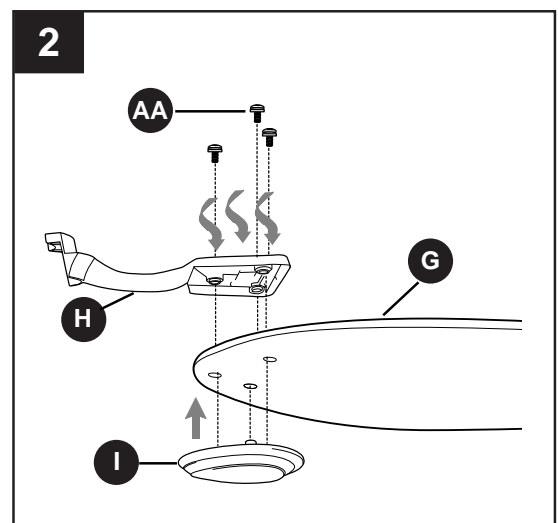
- Lift canopy (B) to mounting bracket (C) and align slotted holes in canopy (B) with canopy mounting screws (L) loosened in Step 4, page 7. Twist canopy (B) clockwise to lock. Re-insert the two canopy mounting screws (L) previously removed (Step 4, page 7), then tighten all securely.



- Align posts in blade plate (I) with holes on one side of blade (G). Align holes in blade arm (H) with holes on opposite side of blade (G) and then push up on blade plate (I) until posts go through the holes in blade arm (H). Partially insert three blade screws (AA) to attach the blade plate (I) and blade arm (H) to the blade (G). Then, tighten each blade screw (AA) starting with the one in the middle. Repeat for remaining blade assemblies.

Hardware Used

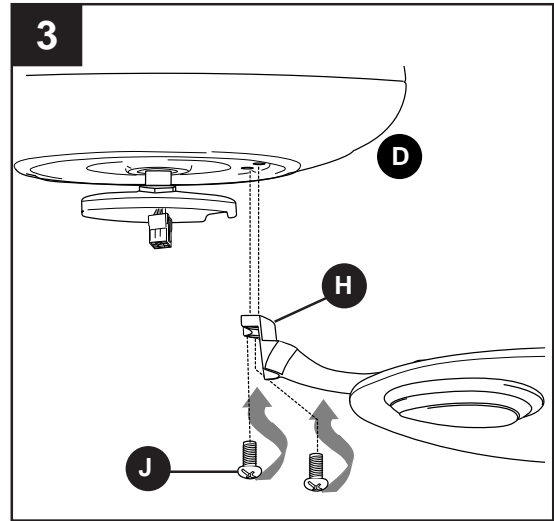
AA Blade Screw  x 15



FINAL INSTALLATION

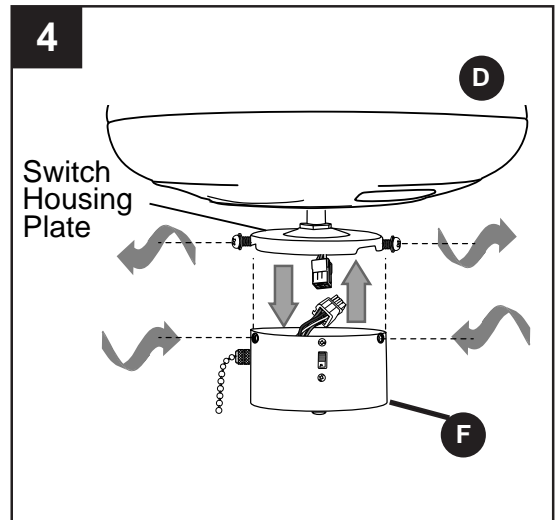
3. Locate motor screws (J) removed in Step 5, page 7.

Insert two motor screws (J) through one blade arm (H) to attach blade arm (H) to motor housing (D). Tighten motor screws (J) securely. Repeat with remaining blade arms (H), making sure to completely secure each blade arm (H) before proceeding with the next.

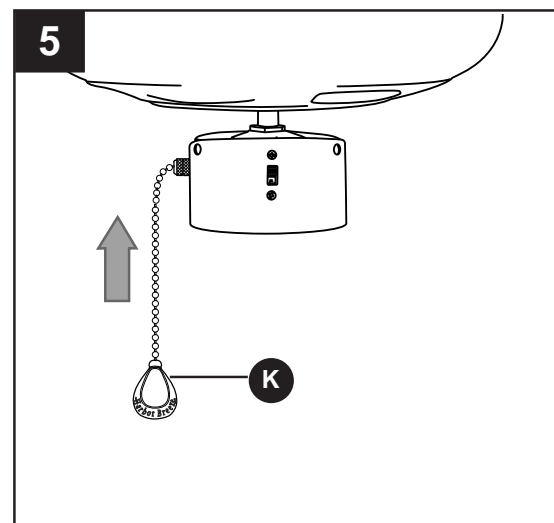


4. Remove three screws from switch housing plate preassembled on the underside of motor housing (D). Connect male plug from motor housing (D) to female plug from switch housing (F). Make sure plugs connect tightly.

Align holes in switch housing (F) with holes in switch housing plate, then re-insert previously removed screws.

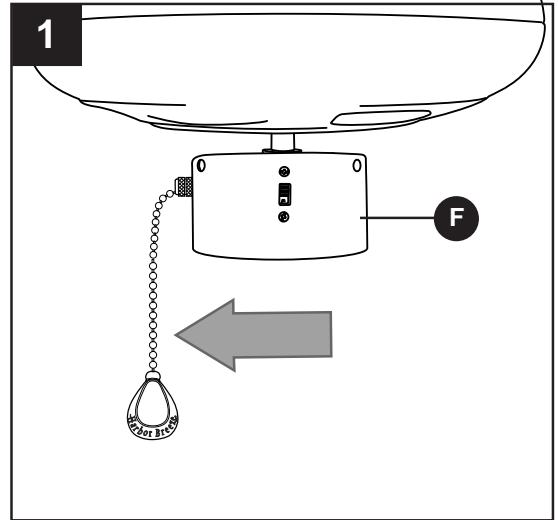


5. Attach pull chain extension (K) or custom pull chain extension (sold separately) to fan pull chain.



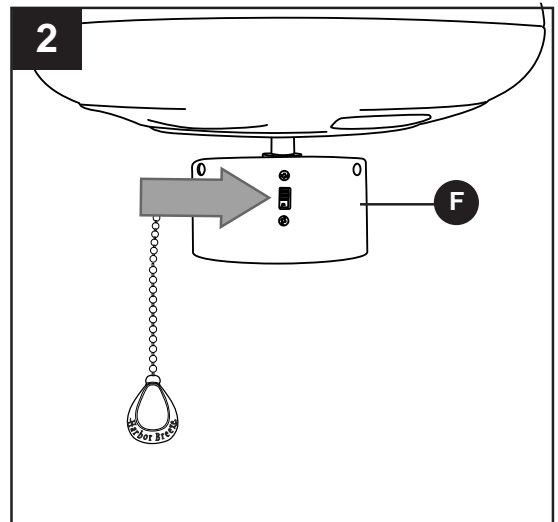
OPERATING INSTRUCTIONS

1. The pull chain located on the switch housing (F) has four positions to control fan speed. One pull is HIGH, two is MEDIUM, three is LOW and four turns the fan OFF.



2. Use the fan reverse switch, located on the switch housing (F), to optimize your fan for seasonal performance. A ceiling fan will allow you to raise your thermostat setting in summer and lower your thermostat setting in winter without feeling a difference in your comfort.

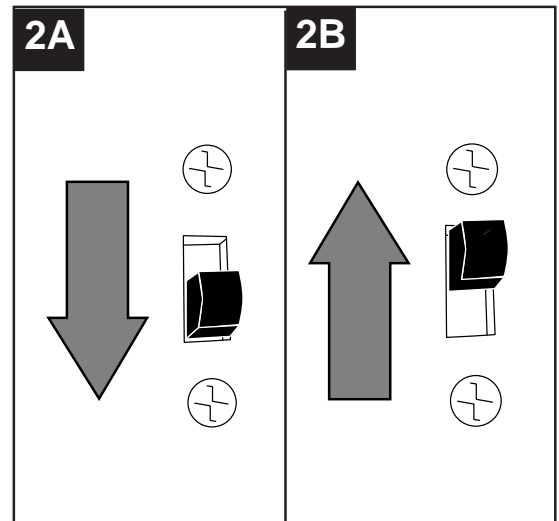
NOTE: Wait for fan to stop before moving the reverse switch.



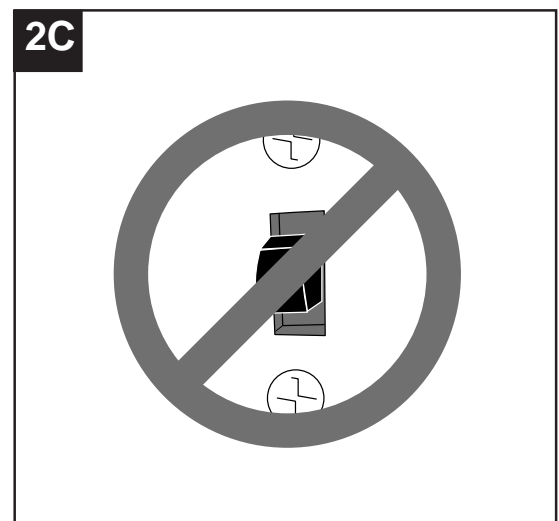
OPERATING INSTRUCTIONS

2A. In **warmer** weather, setting the reverse switch in the DOWN position will result in downward airflow creating a wind chill effect.

2B. In **cooler** weather, setting the reverse switch in the UP position will result in upward airflow that can help move stagnant, hot air off the ceiling area.



2C. **IMPORTANT:** Reverse switch must be set either **completely UP** or **completely DOWN** for fan to function. If the reverse switch is set in the **middle** position, fan will not operate.



CARE AND MAINTENANCE

At least twice each year, lower canopy (B) to check downrod (A) assembly, and then tighten all screws on fan. Clean motor housing (D) with only a soft brush or lint-free cloth to avoid scratching the finish. Clean blades (G) with a lint-free cloth. You may occasionally apply a light coat of furniture polish to wood blades for added protection.

IMPORTANT: Shut off main power supply before beginning any maintenance. Do not use water or a damp cloth to clean the ceiling fan.

TROUBLESHOOTING

⚠ WARNING: Before beginning work, shut off the power supply to avoid electrical shock.

PROBLEM	POSSIBLE CAUSE	CORRECTIVE ACTION
Fan does not move.	<ol style="list-style-type: none"> 1. Reverse switch not engaged. 2. Power is off or fuse is blown. 3. Faulty wire connection. 4. Plugs not connected properly. 	<ol style="list-style-type: none"> 1. Push switch firmly either up or down. 2. Turn power on or check fuse. 3. Turn power off. Loosen canopy and check all connections. 4. Check that male and female plugs in switch housing are connected properly according to instructions on page 14.
Noisy operation.	<ol style="list-style-type: none"> 1. Blades are loose. 2. Cracked blade. 3. Full range dimmer switch. 4. Fan is new. 	<ol style="list-style-type: none"> 1. Tighten all blade screws. 2. Replace blade. 3. Replace with an approved speed control device. 4. Allow fan a "break in" period of a few days, especially when running the fan at Medium and High speeds.
Excessive wobbling.	<ol style="list-style-type: none"> 1. Blades are loose. 2. Blade arms incorrectly attached. 3. Unbalanced blades. 4. Fan not securely mounted. 5. Fan too close to vaulted ceiling. 6. Set screw(s) on motor housing yoke is (are) not tightened properly. 7. Set screw on hanging ball is not tightened properly. 	<ol style="list-style-type: none"> 1. Tighten all blade screws. 2. Re-install blade arms. 3. Switch one blade with a blade from the opposite side. 4. Turn power off. Carefully loosen canopy and verify that mounting bracket is secure. 5. Use a longer downrod or move fan to another location. 6. Tighten yoke set screw(s) securely. 7. Carefully loosen and lower canopy and verify that set screw on hanging ball is tightened securely.

NOTE: A small amount of "wobble" is normal and should not be considered a defect.



LIMITED LIFETIME WARRANTY

The distributor warrants this fan to be free from defects in workmanship and materials present at time of shipment from the factory for Lifetime limited from the date of purchase. This warranty applies only to the original purchaser. The distributor agrees to correct any defect at no charge or, at our option, replace the ceiling fan with a comparable or superior model.

To obtain warranty service, present a copy of your sales receipt as proof of purchase. All cost of removal and reinstallation are the express responsibility of the purchaser. Any damage to the ceiling fan by accident, misuse or improper installation, or by using parts not produced by the manufacturer of this fan or affixing accessories not produced by the manufacturer of this fan, are the purchaser's own responsibility. The distributor assumes no responsibility whatsoever for fan installation during the limited lifetime warranty. Any service performed by an unauthorized person will render the warranty invalid.

Due to varying climatic conditions, this warranty does not cover changes in brass finish, rusting, pitting, tarnishing, corroding or peeling. Brass finish fans maintain their beauty when protected from varying weather conditions. Any glass provided with this fan is not covered by the warranty.

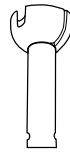
Any replacement of defective parts for the ceiling fan must be reported within the first year from the date of purchase. For the balance of the warranty, call our customer service department (at **1-800-643-0067**) for return authorization and shipping instructions so that we may repair or replace the ceiling fan. Any fan or parts returned improperly packaged is/are the sole responsibility of the purchaser. There is no further express warranty. The distributor disclaims any and all implied warranties. The duration of any implied warranty which cannot be disclaimed is limited to the limited lifetime period as specified in our warranty. The distributor shall not be liable for incidental, consequential or special damages arising at or in connection with product use or performance except as may otherwise be accorded by law. This warranty gives you specific legal rights and you may also have other rights which vary from state to state. This warranty supersedes all prior warranties.



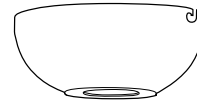
REPLACEMENT PARTS LIST

For replacement parts, call our customer service department at **1-800-643-0067**, 8 a.m. - 6 p.m., EST, Monday - Thursday, 8 a.m. - 5 p.m., EST, Friday.

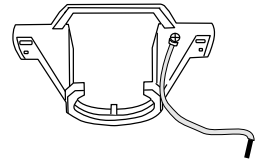
PART	DESCRIPTION	PART#
A	Downrod	294981-A
B	Canopy	294981-B
C	Mounting Bracket	294981-C
E	Yoke Cover	294981-E
F	Switch Housing	294981-F
G	Blade	294981-G
H	Blade Arm	294981-H
I	Blade Plate	294981-I
J	Motor Screw	294981-J
L	Canopy Mounting Screw	294981-L
M	Pin	294981-M
N	Clip	294981-N
AA	Blade Screw	294981-AA
CC	Screw	294981-CC
DD	Lock Washer	294981-DD



A



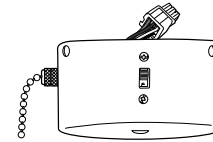
B



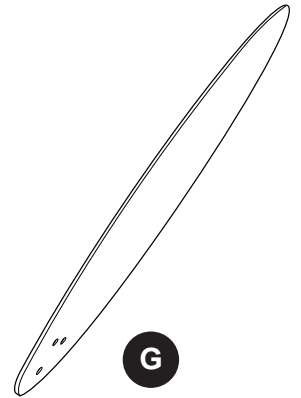
C



E



F



G



H



I



J



L



M



N



AA



CC



DD

Printed in China

Harbor Breeze® is a registered trademark of LF, LLC. All Rights Reserved.



Lowes.com/harborbreeze